



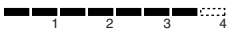
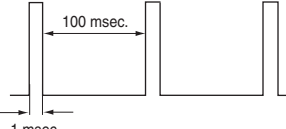
Jul. 2009

SERVICE MANUAL ADDENDUM

IC-M710 IC-M710K

CONTENTS

REPLACEMENT PAGE	4-8
PARTS LIST	1
VOLTAGE DIAGRAM	41

ADJUSTMENT	ADJUSTMENT CONDITION	MEASUREMENT		VALUE	ADJUSTMENT	
		UNIT	LOCATION		UNIT	ADJUST
RECEIVER GAIN	1 <ul style="list-style-type: none"> • Frequency : 2.1820 MHz 2.1834 MHz ([KOR-20]) • Mode : J3E • Noise blanker : OFF • Squelch : OFF • Speaker : OFF • AGC : ON • RF gain : 9 • R223 (MAIN unit) : Max. clockwise • R257 (MAIN unit) : Center • R300 (MAIN unit) : Center • Set the core of L75 (MAIN unit) to the bottom position. • Connect a standard signal generator to the [ANT] connector and set as; <ul style="list-style-type: none"> Frequency : 2.1835 MHz Level : 0.5 μV* (-113 dBm) Modulation : OFF • Receiving 	Rear Panel	Connect an AC millivoltmeter to the [EXT SP] jack with a 4 Ω dummy load.	Maximum output level	MAIN	Adjust in sequence L74, L75, L78, L79, L83, L84, L85, L92, L93
CLARITY	1 <ul style="list-style-type: none"> • While pushing the [SQL] and [CE] switches, turn power ON. 	Set the [CLARITY] control to the center position and push the [DIMMER] switch.			Front Panel	[CLARITY]
TOTAL GAIN	1 <ul style="list-style-type: none"> • Frequency : 12.2300 MHz • Mode : J3E • Connect a standard signal generator to the [ANT] connector and set as; <ul style="list-style-type: none"> Frequency : 12.2315 MHz Level : 0.32 mV* (-57 dBm) Modulation : OFF • Receiving 	Rear Panel	Connect an AC millivoltmeter to the [EXT SP] jack with a 4 Ω dummy load.	1.0 V	Front Panel	[VOLUME]
	2 <ul style="list-style-type: none"> • Set the signal generator to OFF (no output). 			-30 dB (32 mV)	MAIN	R223
S-METER	1 <ul style="list-style-type: none"> • While pushing the [SQL] and [RX] switches, turn power ON. • Frequency : 12.2300 MHz • Mode : J3E • Connect a standard signal generator to the [ANT] connector and set as; <ul style="list-style-type: none"> Frequency : 12.2315 MHz Level : 3.2 mV* (-37 dBm) • Receiving 	Function display	S/RF meter	Push the [DIMMER] switch and then verify the 7th dot just appears on the S/RF meter. 	Font Panel	[DIMMER]
NOISE BLANKER	1 <ul style="list-style-type: none"> • Frequency : 12.2300 MHz • Mode : J3E • Connect a standard signal generator to the [ANT] connector and set as; <ul style="list-style-type: none"> Frequency : 12.2315 MHz Level : 3.2 μV* (-97 dBm) • Add the following signal into the signal generator output. 	MAIN	Connect an oscilloscope to R59.	Adjust the max. noise wave which is displayed on the oscilloscope.	MAIN	L80, L81

*This output level of the standard signal generator (SSG) is indicated as SSG's open circuit.

PARTS LIST

[LOGIC-J UNIT]

REF NO.	ORDER NO.	DESCRIPTION	
WS3	8970023230 8970023230 8600036420 8970023230 8970023230 8970023230 8600036420	SX1632 J (1)/LO SX1632 J (1)/LO SX1632 P2004LO SX1632 J (1)/LO SX1632 J (1)/LO SX1632 J (1)/LO SX1632 P2004LO	[GEN-21] [GEN-22] [GEN-23] [GEN-25] [CHN] [EUR-21] [EUR-22]
IC2001	1140006931	S.IC HD6433834A95FV(SX-1632SA)	
IC2002	1130013870	S.IC NJU6445FCI-#ZZZB	
IC2003	1110005711	S.IC S-80842CLUA-B63-T2G	
IC2005	1180001461	S.IC UPC78L05T-E1-AZ	
IC2006	1180001451	S.IC UPC78L08T-E1-AZ	
IC2007	1110002550	IC TA7252AP	
IC2008	1110000960	S.IC NJM4558M-TE1-#FMZB	
IC2009	1180000421 1180000421 1130008511 1130003831	S.IC TA78L05F(TE12R,F) S.IC TA78L05F(TE12R,F) S.IC TC7W53FU(TE12L,F) S.IC TC7S04F(TE85R,F)	[GEN-23] [EUR-22]
Q2002	1530001971	S.TRA 2SC1623-T2B-A-L6	
Q2003	1130009930	TRA 2SB1274R	
Q2005	1530001971	S.TRA 2SC1623-T2B-A-L6	
Q2006	1530001971	S.TRA 2SC1623-T2B-A-L6	
Q2007	1590001380	S.TRA DTC114EKA T146	
Q2008	1590001380	S.TRA DTC114EKA T146	
Q2009	1530001971	S.TRA 2SC1623-T2B-A-L6	
Q2011	1590001380	S.TRA DTC114EKA T146	
Q2012	1590001380	S.TRA DTC114EKA T146	
Q2013	1590001380	S.TRA DTC114EKA T146	
D2001	1750000021	S.DIO 1SS184(TE85R,F)	
D2002	1730000831	S.ZEN RD9.1M-T2B-A B1	
D2003	1750000021	S.DIO 1SS184(TE85R,F)	
D2004	1750000021	S.DIO 1SS184(TE85R,F)	
D2005	1750000021	S.DIO 1SS184(TE85R,F)	
D2006	1750000021	S.DIO 1SS184(TE85R,F)	
D2007	1750000021	S.DIO 1SS184(TE85R,F)	
D2008	1750000021	S.DIO 1SS184(TE85R,F)	
D2009	1750000021	S.DIO 1SS184(TE85R,F)	
D2010	1750000021	S.DIO 1SS184(TE85R,F)	
X2001	6050009450	XTA CR-513 AT-49 9.8304 MHz <KDS>	
L2002	6910000670	COI BL01RN1A1D2B (BL01RN1-A62)	
L2003	6910000670	COI BL01RN1A1D2B (BL01RN1-A62)	
L2004	6200003261	S.COI NLV32T-101J	
L2005	6910000670	COI BL01RN1A1D2B (BL01RN1-A62)	
L2006	6200003261	S.COI NLV32T-101J	
L2007	6200003261	S.COI NLV32T-101J	
L2008	6200003261	S.COI NLV32T-101J	
L2009	6200003261	S.COI NLV32T-101J	
L2010	6170000140	COI LW-15	
R2003	7030000520	S.RES MCR10EZHZ 15 K (153)	
R2005	7030000400	S.RES MCR10EZHZ 1.5K (152)	
R2007	7030000430	S.RES MCR10EZHZ 2.7K (272)	
R2009	7030000580	S.RES MCR10EZHZ 47 K (473)	
R2011	7030000580	S.RES MCR10EZHZ 47 K (473)	
R2012	7030000740	S.RES MCR10EZHZ 1 M (105)	
R2013	7030000580	S.RES MCR10EZHZ 47 K (473)	
R2014	7030000580	S.RES MCR10EZHZ 47 K (473)	
R2015	7030000380	S.RES MCR10EZHZ 1 K (102)	
R2016	7030000380	S.RES MCR10EZHZ 1 K (102)	
R2017	7030000620	S.RES MCR10EZHZ 100 K (104)	
R2018	7030000380	S.RES MCR10EZHZ 1 K (102)	
R2019	7030000700	S.RES MCR10EZHZ 470 K (474)	
R2020	7030000660	S.RES MCR10EZHZ 220 K (224)	
R2021	7030000660	S.RES MCR10EZHZ 220 K (224)	
R2022	7030000620	S.RES MCR10EZHZ 100 K (104)	
R2024	7030000010	S.RES MCR10EZHZ JPW (000)	
R2039	7030000580	S.RES MCR10EZHZ 47 K (473)	
R2040	7030000560	S.RES MCR10EZHZ 33 K (333)	
R2041	7030000460	S.RES MCR10EZHZ 4.7K (472)	
R2042	7030000580	S.RES MCR10EZHZ 47 K (473)	
R2043	7030000520	S.RES MCR10EZHZ 15 K (153)	
R2044	7030000500	S.RES MCR10EZHZ 10 K (103)	
R2045	7030000500	S.RES MCR10EZHZ 10 K (103)	
R2046	7030000500	S.RES MCR10EZHZ 10 K (103)	
R2047	7030000470	S.RES MCR10EZHZ 5.6K (562)	
R2048	7030000380	S.RES MCR10EZHZ 1 K (102)	
R2049	7030000580	S.RES MCR10EZHZ 47 K (473)	
R2054	7010003241	RES PSD1/4V 3.3	
R2055	7030000500	S.RES MCR10EZHZ 10 K (103)	
R2056	7030000020	S.RES MCR10EZHZ 1 (010)	
R2057	7030000380	S.RES MCR10EZHZ 1 K (102)	
R2058	7010003101	RES PSD1/4V 3.3	
R2061	7030000260	S.RES MCR10EZHZ 100 (101)	
R2062	7030000440	S.RES MCR10EZHZ 3.3K (332)	
R2063	7030000300	S.RES MCR10EZHZ 220 (221)	
R2064	7030000610	S.RES MCR10EZHZ 82 K (823)	
R2065	7030000620	S.RES MCR10EZHZ 100 K (104)	

[LOGIC-J UNIT]

REF NO.	ORDER NO.	DESCRIPTION	
R2066	7310004980	TRI KVSF639AC 103 10K	
R2067	7030000540	S.RES MCR10EZHZ 22 K (223)	
R2068	7030000610	S.RES MCR10EZHZ 82 K (823)	
R2069	7030000380	S.RES MCR10EZHZ 1 K (102)	
R2070	7310004960	TRI KVSF639AC 104 100K	
R2071	7030000400	S.RES MCR10EZHZ 1.5K (152)	
R2072	7030000360	S.RES MCR10EZHZ 680 (681)	
R2073	7030000340	S.RES MCR10EZHZ 470 (471)	
R2077	7030000530	S.RES MCR10EZHZ 18 K (183)	
R2078	7030000500	S.RES MCR10EZHZ 10 K (103)	
R2079	7030000530	S.RES MCR10EZHZ 18 K (183)	
R2080	7030000500	S.RES MCR10EZHZ 10 K (103)	
R2081	7030000530	S.RES MCR10EZHZ 18 K (183)	
R2082	7030000500	S.RES MCR10EZHZ 10 K (103)	
R2083	7030000530	S.RES MCR10EZHZ 18 K (183)	
R2084	7030000530	S.RES MCR10EZHZ 18 K (183)	
R2085	7030000580	S.RES MCR10EZHZ 47 K (473)	
R2086	7030000540	S.RES MCR10EZHZ 22 K (223)	
R2087	7030000520	S.RES MCR10EZHZ 15 K (153)	
R2088	7030000580	S.RES MCR10EZHZ 47 K (473)	
R2090	7030000240 7030000240 7030000240 7030000240 7030000240	S.RES MCR10EZHZ 68 (680) S.RES MCR10EZHZ 68 (680) S.RES MCR10EZHZ 68 (680) S.RES MCR10EZHZ 68 (680) S.RES MCR10EZHZ 68 (680)	[GEN-21] [GEN-22] [GEN-25] [CHN] [EUR-21]
W2012	7030000010	S.RES MCR10EZHZ JPW (000)	
W2013	7030000010	S.RES MCR10EZHZ JPW (000)	
W2014	7030000010	S.RES MCR10EZHZ JPW (000)	
W2015	7030000010	S.RES MCR10EZHZ JPW (000)	
W2018	7030000010	S.RES MCR10EZHZ JPW (000)	
W2019	7030000010 7030000010	S.RES MCR10EZHZ JPW (000) S.RES MCR10EZHZ JPW (000)	[GEN-23] [EUR-22]
C2002	4030004740	S.CER C2012 JB 1H 472K-T	
C2003	4030004740	S.CER C2012 JB 1H 472K-T	
C2004	4030004740	S.CER C2012 JB 1H 472K-T	
C2005	4030004880	S.CER C2012 CH 1H 120J-T	
C2006	4030004880	S.CER C2012 CH 1H 120J-T	
C2007	4030004750	S.CER C2012 JB 1H 103K-T	
C2008	4310000520	MYL 50 F2D 224J	
C2009	4030004750	S.CER C2012 JB 1H 103K-T	
C2012	4510005150	ELE 50 ME 10 HC	
C2013	4030004740	S.CER C2012 JB 1H 472K-T	
C2014	4030004740	S.CER C2012 JB 1H 472K-T	
C2015	4030004740	S.CER C2012 JB 1H 472K-T	
C2016	4030004740	S.CER C2012 JB 1H 472K-T	
C2017	4030004740	S.CER C2012 JB 1H 472K-T	
C2018	4030004740	S.CER C2012 JB 1H 472K-T	
C2019	4030004740	S.CER C2012 JB 1H 472K-T	
C2020	4510004601	ELE 16 ME 1000 HC	
C2021	4030004740	S.CER C2012 JB 1H 472K-T	
C2022	4510007480	ELE 16 ME 470 CA	
C2023	4030008960	S.CER C2012 JB 1C 104K-T	
C2024	4510005120	ELE 16 ME 47 HC	
C2025	4510004990	ELE 16 ME 100 HC	
C2026	4510005120	ELE 16 ME 47 HC	
C2027	4030004740	S.CER C2012 JB 1H 472K-T	
C2028	4510008400	ELE 25 ME 22 HC	
C2029	4510008400	ELE 25 ME 22 HC	
C2030	4030004740	S.CER C2012 JB 1H 472K-T	
C2031	4510005490	ELE 50 ME 2R2 HC	
C2032	4510005481	ELE 50 ME 1 HC	
C2033	4510005481	ELE 50 ME 1 HC	
C2034	4510008410	ELE 25 ME 4R7 HC	
C2035	4510008410	ELE 25 ME 4R7 HC	
C2036	4510005120	ELE 16 ME 47 HC	
C2037	4510008410	ELE 25 ME 4R7 HC	
C2038	4510005500	ELE 16 ME 10 HC	
C2039	4030004740	S.CER C2012 JB 1H 472K-T	
C2040	4510005120	ELE 16 ME 47 HC	
C2041	4030004740	S.CER C2012 JB 1H 472K-T	
C2042	4510005120	ELE 16 ME 47 HC	
C2043	4030004740	S.CER C2012 JB 1H 472K-T	
C2044	4510005500	ELE 16 ME 10 HC	
C2049	4030008960	S.CER C2012 JB 1C 104K-T	
C2050	4030008960	S.CER C2012 JB 1C 104K-T	
C2051	4510008400	ELE 25 ME 22 HC	[GEN-23]
	4510008400	ELE 25 ME 22 HC	[EUR-22]
C2052	4030004740	S.CER C2012 JB 1H 472K-T	[GEN-23]
	4030004740	S.CER C2012 JB 1H 472K-T	[EUR-22]
C2053	4030004740	S.CER C2012 JB 1H 472K-T	[GEN-23]
	4030004740	S.CER C2012 JB 1H 472K-T	[EUR-22]
C2054	4510005120	ELE 16 ME 47 HC	[GEN-23]
	4510005120	ELE 16 ME 47 HC	[EUR-22]
C2060	4310000480	MYL 50 F2D 104J	[GEN-21]
	4310000480	MYL 50 F2D 104J	[GEN-22]
	4310000480	MYL 50 F2D 104J	[GEN-25]
	4310000480	MYL 50 F2D 104J	[CHN]
	4310000480	MYL 50 F2D 104J	[EUR-21]
C2071	4030008960	S.CER C2012 JB 1C 104K-T	
C2072	4030008960	S.CER C2012 JB 1C 104K-T	
C2073	4030008960	S.CER C2012 JB 1C 104K-T	
C2074	4030008960	S.CER C2012 JB 1C 104K-T	

M.=Mounted side (T: Mounted on the Top side, B: Mounted on the Bottom side)
S.=Surface mount

[LOGIC-J UNIT]

REF NO.	ORDER NO.	DESCRIPTION	
RL2001	6330001330	REL	AG 201344
J2007	6510003391	CON	B03B-EH-S(LF)(SN)
J2008	6510018381	CON	10FE-BT-VK-N
J2009	6510018391	CON	06FE-BT-VK-N
J2010	6510018391	CON	06FE-BT-VK-N
J2011	6510018391	CON	06FE-BT-VK-N
J2012	6510018391	CON	06FE-BT-VK-N
J2013	6510010021	CON	RTB-1.5-2F(LF)
J2014	6510010021	CON	RTB-1.5-2F(LF)

[SENSOR1-J UNIT]

REF NO.	ORDER NO.	DESCRIPTION	
J2601	6510018720	CON	06FE-BT
S2601	2250000280	ENC	SRB18100 25KC

M.=Mounted side (T: Mounted on the Top side, B: Mounted on the Bottom side)
S.=Surface mount

[SENSOR2-J UNIT]

REF NO.	ORDER NO.	DESCRIPTION
J2701	6510018720	CON 06FE-BT
S2701	2250000280	ENC SRB18100 25KC

[MAIN-J UNIT]

REF NO.	ORDER NO.	DESCRIPTION
IC4	1160000131	S.IC TD62783AFG(5,S,EL)
IC5	1160000131	S.IC TD62783AFG(5,S,EL)
IC6	1160000131	S.IC TD62783AFG(5,S,EL)
IC8	1110003141	IC LA1150N-E
IC9	1110004840	S.IC NJM1496V-TE1-#ZZZB
IC10	1110004840	S.IC NJM1496V-TE1-#ZZZB
IC11	1130011190	S.IC BU4011BF-E2
IC12	1140003831	S.IC TC4W66F(TE12L,F) [GEN-21]
	1140003831	S.IC TC4W66F(TE12L,F) [GEN-22]
	1140003831	S.IC TC4W66F(TE12L,F) [GEN-23]
	1140003830	S.IC TC4W66F(TE12L) [GEN-25]
	1140003831	S.IC TC4W66F(TE12L,F) [CHN]
	1140003831	S.IC TC4W66F(TE12L,F) [EUR-21]
	1140003831	S.IC TC4W66F(TE12L,F) [EUR-22]
IC16	1110000960	S.IC NJM4558M-TE1-#FMZB
IC17	1110000960	S.IC NJM4558M-TE1-#FMZB
IC18	1110000960	S.IC NJM4558M-TE1-#FMZB
IC19	1110000960	S.IC NJM4558M-TE1-#FMZB
IC20	1110000960	S.IC NJM4558M-TE1-#FMZB
IC21	1110000960	S.IC NJM4558M-TE1-#FMZB
IC22	1130011170	S.IC BU4001BF-E2
IC23	1110001401	S.IC UPC1555G2-E1-A
IC24	1180001251	S.IC TA7808F(TE16L,Q) [GEN-21]
	1180001251	S.IC TA7808F(TE16L,Q) [GEN-22]
	1180001251	S.IC TA7808F(TE16L,Q) [GEN-23]
	1180001250	S.IC TA7808F(TE16L) [GEN-25]
	1180001251	S.IC TA7808F(TE16L,Q) [CHN]
	1180001251	S.IC TA7808F(TE16L,Q) [EUR-21]
	1180001251	S.IC TA7808F(TE16L,Q) [EUR-22]
IC27	1170000281	S.IC TLP121(GB-TPL,F)
IC31	1130013520	S.IC CD4028BNSR
IC32	1130003761	S.IC TC4S81F(TE85R,F) [GEN-21]
	1130003761	S.IC TC4S81F(TE85R,F) [GEN-22]
	1130003761	S.IC TC4S81F(TE85R,F) [GEN-23]
	1130003760	S.IC TC4S81F(TE85R) [GEN-25]
	1130003761	S.IC TC4S81F(TE85R,F) [CHN]
	1130003761	S.IC TC4S81F(TE85R,F) [EUR-21]
	1130003761	S.IC TC4S81F(TE85R,F) [EUR-22]
IC33	1130003761	S.IC TC4S81F(TE85R,F) [GEN-21]
	1130003761	S.IC TC4S81F(TE85R,F) [GEN-22]
	1130003761	S.IC TC4S81F(TE85R,F) [GEN-23]
	1130003760	S.IC TC4S81F(TE85R) [GEN-25]
	1130003761	S.IC TC4S81F(TE85R,F) [CHN]
	1130003761	S.IC TC4S81F(TE85R,F) [EUR-21]
	1130003761	S.IC TC4S81F(TE85R,F) [EUR-22]
IC34	1130011200	S.IC BU4069UBF-E2
IC35	1130013470	S.IC CD4071BNSR
IC36	1110003300	S.IC M5282FP 70CD
IC38	1140003831	S.IC TC4W66F(TE12L,F) [GEN-21]
	1140003831	S.IC TC4W66F(TE12L,F) [GEN-22]
	1140003831	S.IC TC4W66F(TE12L,F) [GEN-23]
	1140003830	S.IC TC4W66F(TE12L) [GEN-25]
	1140003831	S.IC TC4W66F(TE12L,F) [CHN]
	1140003831	S.IC TC4W66F(TE12L,F) [EUR-21]
	1140003831	S.IC TC4W66F(TE12L,F) [EUR-22]
IC39	1140003831	S.IC TC4W66F(TE12L,F) [GEN-21]
	1140003831	S.IC TC4W66F(TE12L,F) [GEN-22]
	1140003831	S.IC TC4W66F(TE12L,F) [GEN-23]
	1140003830	S.IC TC4W66F(TE12L) [GEN-25]
	1140003831	S.IC TC4W66F(TE12L,F) [CHN]
	1140003831	S.IC TC4W66F(TE12L,F) [EUR-21]
	1140003831	S.IC TC4W66F(TE12L,F) [EUR-22]
IC131	1180000421	S.IC TA78L05F(TE12R,F)
IC132	1140006941	S.IC HD6433378B26FV(SX-1632A)
IC133	1110005711	S.IC S-80842CLUA-B63-T2G
IC134	1130007291	S.IC 24LC16BT-I/SNG
IC135	1130007291	S.IC 24LC16BT-I/SNG
Q1	1530003151	S.TRA 2SC4673D-TD-E
Q2	1580000620	S.FET 3SK131-T2 MAS
Q3	1580000620	S.FET 3SK131-T2 MAS
Q4	1580000620	S.FET 3SK131-T2 MAS
Q5	1530003151	S.TRA 2SC4673D-TD-E
Q6	1560000721	S.FET 2SK2171-4-TD-E
Q7	1560000721	S.FET 2SK2171-4-TD-E
Q8	1580000620	S.FET 3SK131-T2 MAS
Q9	1560000331	S.FET 2SK210-GR(TE85R,F)
Q10	1510000771	S.TRA 2SA1586-GR(TE85L,F) [GEN-21]
	1510000771	S.TRA 2SA1586-GR(TE85L,F) [GEN-22]
	1510000771	S.TRA 2SA1586-GR(TE85L,F) [GEN-23]
	1510000770	S.TRA 2SA1586-GR(TE85R) [GEN-25]
	1510000771	S.TRA 2SA1586-GR(TE85L,F) [CHN]
	1510000771	S.TRA 2SA1586-GR(TE85L,F) [EUR-21]
	1510000771	S.TRA 2SA1586-GR(TE85L,F) [EUR-22]
Q11	1530002691	S.TRA 2SC4116-GR(TE85R,F) [GEN-21]
	1530002691	S.TRA 2SC4116-GR(TE85R,F) [GEN-22]
	1530002691	S.TRA 2SC4116-GR(TE85R,F) [GEN-23]
	1530002690	S.TRA 2SC4116-GR(TE85R) [GEN-25]
	1530002691	S.TRA 2SC4116-GR(TE85R,F) [CHN]
	1530002691	S.TRA 2SC4116-GR(TE85R,F) [EUR-21]
	1530002691	S.TRA 2SC4116-GR(TE85R,F) [EUR-22]
Q12	1530002691	S.TRA 2SC4116-GR(TE85R,F) [GEN-21]
	1530002691	S.TRA 2SC4116-GR(TE85R,F) [GEN-22]
	1530002691	S.TRA 2SC4116-GR(TE85R,F) [GEN-23]
	1530002690	S.TRA 2SC4116-GR(TE85R) [GEN-25]
	1530002691	S.TRA 2SC4116-GR(TE85R,F) [CHN]
	1530002691	S.TRA 2SC4116-GR(TE85R,F) [EUR-21]
	1530002691	S.TRA 2SC4116-GR(TE85R,F) [EUR-22]

M.=Mounted side (T: Mounted on the Top side, B: Mounted on the Bottom side)
S.=Surface mount

[MAIN-J UNIT]

REF NO.	ORDER NO.	DESCRIPTION	
Q119	1530002691	S.TRA 2SC4116-GR(TE85R,F)	[GEN-21]
	1530002691	S.TRA 2SC4116-GR(TE85R,F)	[GEN-22]
	1530002691	S.TRA 2SC4116-GR(TE85R,F)	[GEN-23]
	1530002690	S.TRA 2SC4116-GR (TE85R)	[GEN-25]
	1530002691	S.TRA 2SC4116-GR(TE85R,F)	[CHN]
	1530002691	S.TRA 2SC4116-GR(TE85R,F)	[EUR-21]
	1530002691	S.TRA 2SC4116-GR(TE85R,F)	[EUR-22]
Q122	1590000680	S.TRA DTC114EUA T106	
Q123	1590000680	S.TRA DTC114EUA T106	
Q124	1590000680	S.TRA DTC114EUA T106	
Q125	1590000680	S.TRA DTC114EUA T106	
Q126	1560000331	S.FET 2SK210-GR(TE85R,F)	
Q128	1530002691	S.TRA 2SC4116-GR(TE85R,F)	[GEN-21]
	1530002691	S.TRA 2SC4116-GR(TE85R,F)	[GEN-22]
	1530002691	S.TRA 2SC4116-GR(TE85R,F)	[GEN-23]
	1530002690	S.TRA 2SC4116-GR (TE85R)	[GEN-25]
	1530002691	S.TRA 2SC4116-GR(TE85R,F)	[CHN]
	1530002691	S.TRA 2SC4116-GR(TE85R,F)	[EUR-21]
	1530002691	S.TRA 2SC4116-GR(TE85R,F)	[EUR-22]
Q129	1590000680	S.TRA DTC114EUA T106	
Q130	1590001330	S.TRA DTA114EUA T106	
Q131	1530002691	S.TRA 2SC4116-GR(TE85R,F)	[GEN-21]
	1530002691	S.TRA 2SC4116-GR(TE85R,F)	[GEN-22]
	1530002691	S.TRA 2SC4116-GR(TE85R,F)	[GEN-23]
	1530002690	S.TRA 2SC4116-GR (TE85R)	[GEN-25]
	1530002691	S.TRA 2SC4116-GR(TE85R,F)	[CHN]
	1530002691	S.TRA 2SC4116-GR(TE85R,F)	[EUR-21]
	1530002691	S.TRA 2SC4116-GR(TE85R,F)	[EUR-22]
Q132	1590000680	S.TRA DTC114EUA T106	
Q135	1590001330	S.TRA DTA114EUA T106	[EUR-22] only
Q137	1530002691	S.TRA 2SC4116-GR(TE85R,F)	[GEN-21]
	1530002691	S.TRA 2SC4116-GR(TE85R,F)	[GEN-22]
	1530002691	S.TRA 2SC4116-GR(TE85R,F)	[GEN-23]
	1530002690	S.TRA 2SC4116-GR (TE85R)	[GEN-25]
	1530002691	S.TRA 2SC4116-GR(TE85R,F)	[CHN]
	1530002691	S.TRA 2SC4116-GR(TE85R,F)	[EUR-21]
	1530002691	S.TRA 2SC4116-GR(TE85R,F)	[EUR-22]
Q138	1540000441	S.TRA 2SD1619T-TD-E	
Q139	1530002691	S.TRA 2SC4116-GR(TE85R,F)	[GEN-21]
	1530002691	S.TRA 2SC4116-GR(TE85R,F)	[GEN-22]
	1530002691	S.TRA 2SC4116-GR(TE85R,F)	[GEN-23]
	1530002690	S.TRA 2SC4116-GR (TE85R)	[GEN-25]
	1530002691	S.TRA 2SC4116-GR(TE85R,F)	[CHN]
	1530002691	S.TRA 2SC4116-GR(TE85R,F)	[EUR-21]
	1530002691	S.TRA 2SC4116-GR(TE85R,F)	[EUR-22]
Q140	1590000680	S.TRA DTC114EUA T106	
D1	1790000450	S.DIO MA862(TX)	
D2	1790000450	S.DIO MA862(TX)	
D3	1790000620	S.DIO MA77(TX)	
D4	1790000620	S.DIO MA77(TX)	
D5	1790000450	S.DIO MA862(TX)	
D6	1790000450	S.DIO MA862(TX)	
D7	1790000450	S.DIO MA862(TX)	
D8	1790000450	S.DIO MA862(TX)	
D9	1790000450	S.DIO MA862(TX)	
D10	1790000450	S.DIO MA862(TX)	
D11	1790000450	S.DIO MA862(TX)	
D12	1790000450	S.DIO MA862(TX)	
D13	1790000450	S.DIO MA862(TX)	
D14	1790000450	S.DIO MA862(TX)	
D15	1790000450	S.DIO MA862(TX)	
D16	1790000450	S.DIO MA862(TX)	
D17	1790000691	S.DIO HSM88ASRTR-E	
D18	1790000620	S.DIO MA77(TX)	
D19	1710001240	DIO L204BBB	
D20	1750000271	S.DIO 1SS301(TE85L,F)	
D21	1790000450	S.DIO MA862(TX)	
D22	1790000450	S.DIO MA862(TX)	
D23	1790000450	S.DIO MA862(TX)	
D24	1790000450	S.DIO MA862(TX)	
D25	1790000450	S.DIO MA862(TX)	
D26	1790000450	S.DIO MA862(TX)	
D27	1750000271	S.DIO 1SS301(TE85L,F)	
D28	1750000271	S.DIO 1SS301(TE85L,F)	
D30	1790000450	S.DIO MA862(TX)	
D31	1790000691	S.DIO HSM88ASRTR-E	
D32	1750000520	S.DIO DAN222TL	
D33	1790000450	S.DIO MA862(TX)	
D34	1750000520	S.DIO DAN222TL	
D35	1750000271	S.DIO 1SS301(TE85L,F)	
D36	1750000271	S.DIO 1SS301(TE85L,F)	
D37	1750000271	S.DIO 1SS301(TE85L,F)	
D38	1730000121	ZEN RD6.2E-AZ B2	
D39	1790000691	S.DIO HSM88ASRTR-E	
D40	1750000301	S.DIO 1SS302(TE85R,F)	
D41	1750000271	S.DIO 1SS301(TE85L,F)	
D42	1750000271	S.DIO 1SS301(TE85L,F)	
D43	1750000271	S.DIO 1SS301(TE85L,F)	
D45	1750000271	S.DIO 1SS301(TE85L,F)	
D46	1790000691	S.DIO HSM88ASRTR-E	
D47	1750000271	S.DIO 1SS301(TE85L,F)	
D48	1750000271	S.DIO 1SS301(TE85L,F)	
D49	1790000450	S.DIO MA862(TX)	
D50	1750000520	S.DIO DAN222TL	
D51	1790000450	S.DIO MA862(TX)	
D52	1750000431	S.DIO HSB88WSTR-E	
D53	1750000271	S.DIO 1SS301(TE85L,F)	
D59	1750000271	S.DIO 1SS301(TE85L,F)	
D60	1750000271	S.DIO 1SS301(TE85L,F)	
D61	1750000271	S.DIO 1SS301(TE85L,F)	
D62	1750000271	S.DIO 1SS301(TE85L,F)	
D63	1750000271	S.DIO 1SS301(TE85L,F)	

[MAIN-J UNIT]

REF NO.	ORDER NO.	DESCRIPTION	
D65	1750000271	S.DIO 1SS301(TE85L,F)	
D66	1750000271	S.DIO 1SS301(TE85L,F)	
D68	1750000271	S.DIO 1SS301(TE85L,F)	
D69	1750000301	S.DIO 1SS302(TE85R,F)	
D70	1750000301	S.DIO 1SS302(TE85R,F)	
D73	1730000211	ZEN RD9.1E-AZ B3	
D74	1730000101	ZEN RD5.1E-AZ B2	
D75	1750000301	S.DIO 1SS302(TE85R,F)	
D76	1750000301	S.DIO 1SS302(TE85R,F)	
D79	1750000271	S.DIO 1SS301(TE85L,F)	
D88	1790000691	S.DIO HSM88ASRTR-E	
D89	1750000271	S.DIO 1SS301(TE85L,F)	
D90	1750000271	S.DIO 1SS301(TE85L,F)	
D97	1750000271	S.DIO 1SS301(TE85L,F)	
D98	1750000271	S.DIO 1SS301(TE85L,F)	
D99	1790000450	S.DIO MA862(TX)	
D100	1750000301	S.DIO 1SS302(TE85R,F)	
D101	1750000301	S.DIO 1SS302(TE85R,F)	
D102	1750000271	S.DIO 1SS301(TE85L,F)	
D103	1750000271	S.DIO 1SS301(TE85L,F)	
D201	1710000160	DIO 1SS133	
D202	1710000160	DIO 1SS133	
D203	1710000160	DIO 1SS133	
D204	1710000160	DIO 1SS133	
D205	1710000160	DIO 1SS133	
D206	1710000160	DIO 1SS133	[EUR-21]
	1710000160	DIO 1SS133	[EUR-22]
D207	1710000160	DIO 1SS133	
D209	1750000271	S.DIO 1SS301(TE85L,F)	
D210	1750000271	S.DIO 1SS301(TE85L,F)	
D211	1750000271	S.DIO 1SS301(TE85L,F)	
D212	1750000271	S.DIO 1SS301(TE85L,F)	
D213	1750000301	S.DIO 1SS302(TE85R,F)	
D214	1750000301	S.DIO 1SS302(TE85R,F)	
D215	1750000301	S.DIO 1SS302(TE85R,F)	
D217	1750000271	S.DIO 1SS301(TE85L,F)	
D218	1750000301	S.DIO 1SS302(TE85R,F)	
D220	1730000251	ZEN RD12E-AZ B2	
D222	1750000271	S.DIO 1SS301(TE85L,F)	
D223	1750000271	S.DIO 1SS301(TE85L,F)	
D224	1730000501	ZEN RD13E-AZ B2	
D225	1750000271	S.DIO 1SS301(TE85L,F)	
D226	1750000271	S.DIO 1SS301(TE85L,F)	
D227	1750000271	S.DIO 1SS301(TE85L,F)	
D228	1750000271	S.DIO 1SS301(TE85L,F)	
D235	1750001360	S.DIO L709CER (9401)	
D236	1750001360	S.DIO L709CER (9401)	
D241	1790001241	S.DIO MA2S7280GL	
D242	1790001241	S.DIO MA2S7280GL	
D243	1730002361	S.ZEN MAZ8062GML	
D244	1710000160	DIO 1SS133	
F11	2010001010	FIL 69M15B (FL-120)	
F12	2010000320	FIL 9M22D2 (FL-30)	[GEN-21]
	2010000320	FIL 9M22D2 (FL-30)	[GEN-22]
	2010000320	FIL 9M22D2 (FL-30)	[GEN-23]
	2010000320	FIL 9M22D2 (FL-30)	[GEN-25]
	2010000320	FIL 9M22D2 (FL-30)	[CHN]
	2010000600	FIL 9M26F (FL-80)	[EUR-21]
	2010000600	FIL 9M26F (FL-80)	[EUR-22]
F13	2010000950	FIL 9M 6A1 (FL-116)	
F14	2010000950	FIL 9M 6A1 (FL-116)	
F15	2010001860	FIL M09F04A 9.010600 MHz (FL-232)	[GEN-23]
	2010001860	FIL M09F04A 9.010600 MHz (FL-232)	[EUR-22]
X2	6050009661	S.XTA MA-406 9.8304 MHz	
L1	6140000060	COI LR-18	
L2	6180002480	COI LAL 03NA 820K	
L3	6200002961	S.COI NLV32T-4R7J	
L4	6200003101	S.COI NLV32T-3R9J	
L7	6200003261	S.COI NLV32T-101J	
L8	6200002961	S.COI NLV32T-4R7J	
L9	6200003321	S.COI NLV32T-3R3J	
L10	6200003101	S.COI NLV32T-3R9J	
L11	6200001851	S.COI NLV32T-5R6J	
L12	6200003261	S.COI NLV32T-101J	
L13	6200002991	S.COI NLV32T-2R2J	
L14	6200002991	S.COI NLV32T-2R2J	
L15	6200002991	S.COI NLV32T-2R2J	
L16	6200003081	S.COI NLV32T-1R8J	
L17	6200003261	S.COI NLV32T-101J	
L18	6200003071	S.COI NLV32T-1R5J	
L19	6200003071	S.COI NLV32T-1R5J	
L20	6200003081	S.COI NLV32T-1R8J	
L21	6200003061	S.COI NLV32T-1R2J	
L22	6200003261	S.COI NLV32T-101J	
L23	6200003331	S.COI NLV32T-1R0J	
L24	6200003331	S.COI NLV32T-1R0J	
L25	6200003331	S.COI NLV32T-1R0J	
L26	6200003051	S.COI NLV32T-R82J	
L27	6200003261	S.COI NLV32T-101J	
L28	6200003051	S.COI NLV32T-R82J	
L29	6200003041	S.COI NLV32T-R68J	
L30	6200003041	S.COI NLV32T-R68J	
L31	6200003041	S.COI NLV32T-R68J	
L32	6200003261	S.COI NLV32T-101J	
L33	6200003041	S.COI NLV32T-R68J	
L34	6200003031	S.COI NLV32T-R47J	
L35	6200003031	S.COI NLV32T-R47J	
L36	6200002981	S.COI NLV32T-R56J	

M.=Mounted side (T: Mounted on the Top side, B: Mounted on the Bottom side)
S.=Surface mount

[MAIN-J UNIT]

REF NO.	ORDER NO.	DESCRIPTION
L37	6200003261	S.COI NLV32T-101J
L38	6200003031	S.COI NLV32T-R47J
L39	6200003251	S.COI NLV32T-R39J
L40	6200003251	S.COI NLV32T-R39J
L41	6200003251	S.COI NLV32T-R39J
L42	6200003261	S.COI NLV32T-101J
L43	6200003021	S.COI NLV32T-R33J
L44	6200003011	S.COI NLV32T-R27J
L45	6200003011	S.COI NLV32T-R27J
L46	6200003021	S.COI NLV32T-R33J
L49	6200001851	S.COI NLV32T-5R6J
L50	6200002961	S.COI NLV32T-4R7J
L51	6180001710	COI LAL 03NA 561K
L52	6140002060	COI LR-225 (RIB3X6.5X3 3A6)
L53	6180001710	COI LAL 03NA 561K
L54	6200003261	S.COI NLV32T-101J
L55	6200003331	S.COI NLV32T-1R0J
L56	6200003041	S.COI NLV32T-F68J
L57	6200003261	S.COI NLV32T-101J
L58	6140002220	COI LR-270 (TR6X3X2 3A9)
L59	6150004270	COI LS-483A (C-14924)
L60	6140000930	COI LR-116
L61	6200001831	S.COI NLV32T-100J
L62	6200003021	S.COI NLV32T-R33J
L63	6200003001	S.COI NLV32T-R22J
L64	6150004280	COI LS-484B (C-14927)
L65	6150004280	COI LS-484B (C-14927)
L66	6140002060	COI LR-225 (RIB3X6.5X3 3A6)
L67	6140002060	COI LR-225 (RIB3X6.5X3 3A6)
L69	6200003061	S.COI NLV32T-1R2J
L70	6200003061	S.COI NLV32T-1R2J
L71	6200003001	S.COI NLV32T-R22J
L72	6200003011	S.COI NLV32T-R27J
L73	6140000930	COI LR-116
L74	6150004270	COI LS-483A (C-14924)
L75	6150005450	COI LS-557 7K7
L76	6110001620	COI LA-245
L77	6200001831	S.COI NLV32T-100J
L78	6150005450	COI LS-557 7K7
L79	6150004250	COI LS-471A (C-14922)
L80	6150004050	COI LS-466
L81	6150004050	COI LS-466
L82	6200003261	S.COI NLV32T-101J
L83	6150004310	COI LS-487A (C-14930)
L84	6150004290	COI LS-485A (C-14928)
L85	6150004290	COI LS-485A (C-14928)
L86	6200001831	S.COI NLV32T-100J
L87	6140001601	COI LR-178 LF
L88	6150005430	COI LS-175A 7QM
L89	6150005430	COI LS-175A 7QM
L90	6200003141	S.COI NLV32T-150J
L91	6200003141	S.COI NLV32T-150J
L92	6150004430	COI LS-501 (C-14872)
L93	6150004300	COI LS-486A (C-14929)
L94	2040000490	COI EXC-ELDR25C
L95	6180000960	COI LAL 03NA 102K
L96	6180000960	COI LAL 03NA 102K
L100	6200003091	S.COI NLV32T-2R7J
L101	2040000490	COI EXC-ELDR25C
L102	2040000490	COI EXC-ELDR25C
L103	2040000490	COI EXC-ELDR25C
L104	2040000490	COI EXC-ELDR25C
L105	6910003570	COI 2943-666663
L106	6910003570	COI 2943-666663
L107	6180001710	COI LAL 03NA 561K
L108	6180001710	COI LAL 03NA 561K
L115	6200003261	S.COI NLV32T-101J
L116	6200003261	S.COI NLV32T-101J
L117	6180001710	COI LAL 03NA 561K
L118	6180001710	COI LAL 03NA 561K
L119	6180001710	COI LAL 03NA 561K
L120	6180001710	COI LAL 03NA 561K
L121	6180001710	COI LAL 03NA 561K
L122	6180001710	COI LAL 03NA 561K
L123	6200003021	S.COI NLV32T-R33J
L124	6200003001	S.COI NLV32T-R22J
L125	6200003261	S.COI NLV32T-101J
L126	6180000990	COI LAL 04NA 101K
L127	6200003261	S.COI NLV32T-101J
L129	6180000900	COI LAL 03NA 101K
L130	6180000900	COI LAL 03NA 101K
L131	6180000900	COI LAL 03NA 101K
L132	6200003261	S.COI NLV32T-101J
L133	2040000490	COI EXC-ELDR25C
L134	2040000490	COI EXC-ELDR25C
L135	2040000490	COI EXC-ELDR25C
L136	2040000490	COI EXC-ELDR25C
L137	6200003331	S.COI NLV32T-1R0J
L138	2040000490	COI EXC-ELDR25C
L139	6200001831	S.COI NLV32T-100J
L140	6200003261	S.COI NLV32T-101J
L141	2040000490	COI EXC-ELDR25C
L142	6180000900	COI LAL 03NA 101K
L143	2040000490	COI EXC-ELDR25C
L144	6200003261	S.COI NLV32T-101J
L145	6200003261	S.COI NLV32T-101J
L147	6200003261	S.COI NLV32T-101J
L148	6200001711	S.COI NLV32T-220J
L149	6200003191	S.COI NLV32T-470J
R1	7030003380	S.RES ERJ3GEYJ 331 V (330)
R2	7010003181	RES PSD1/4V 15
R3	7030003380	S.RES ERJ3GEYJ 331 V (330)

[MAIN-J UNIT]

REF NO.	ORDER NO.	DESCRIPTION
R4	7010003201	RES PSD1/4V 22
R5	7030003200	S.RES ERJ3GEYJ 100 V (10)
R6	7030003520	S.RES ERJ3GEYJ 472 V (4.7K)
R7	7010007090	RES PSD1/4V 820
R8	7030003400	S.RES ERJ3GEYJ 471 V (470)
R9	7030003400	S.RES ERJ3GEYJ 471 V (470)
R10	7030003400	S.RES ERJ3GEYJ 471 V (470)
R11	7030003360	S.RES ERJ3GEYJ 221 V (220)
R12	7030003360	S.RES ERJ3GEYJ 221 V (220)
R13	7030003360	S.RES ERJ3GEYJ 221 V (220)
R14	7030003360	S.RES ERJ3GEYJ 221 V (220)
R15	7030003360	S.RES ERJ3GEYJ 221 V (220)
R16	7030003360	S.RES ERJ3GEYJ 221 V (220)
R17	7030003360	S.RES ERJ3GEYJ 221 V (220)
R18	7030003360	S.RES ERJ3GEYJ 221 V (220)
R19	7030003360	S.RES ERJ3GEYJ 221 V (220)
R20	7030003440	S.RES ERJ3GEYJ 102 V (1K)
R21	7030003440	S.RES ERJ3GEYJ 102 V (1K)
R22	7030003400	S.RES ERJ3GEYJ 471 V (470)
R23	7030003400	S.RES ERJ3GEYJ 471 V (470)
R24	7030003400	S.RES ERJ3GEYJ 471 V (470)
R25	7030003560	S.RES ERJ3GEYJ 103 V (10K)
R26	7310005530	S.TRI TMC3ADCS2X (470)
R27	7030003440	S.RES ERJ3GEYJ 102 V (1K)
R28	7010003351	RES PSD1/4V 390
R29	7030003480	S.RES ERJ3GEYJ 222 V (2.2K)
R32	7030003340	S.RES ERJ3GEYJ 151 V (150)
R33	7010003231	RES PSD1/4V 39
R34	7030003340	S.RES ERJ3GEYJ 151 V (150)
R35	7030003480	S.RES ERJ3GEYJ 222 V (2.2K)
R36	7030003640	S.RES ERJ3GEYJ 473 V (47K)
R37	7030003440	S.RES ERJ3GEYJ 102 V (1K)
R38	7030003440	S.RES ERJ3GEYJ 102 V (1K)
R39	7010003181	RES PSD1/4V 15
R41	7010003241	RES PSD1/4V 47
R43	7030003530	S.RES ERJ3GEYJ 562 V (5.6K)
R44	7030003280	S.RES ERJ3GEYJ 470 V (47)
R45	7030003460	S.RES ERJ3GEYJ 152 V (1.5K)
R46	7030003200	S.RES ERJ3GEYJ 100 V (10)
R47	7030003440	S.RES ERJ3GEYJ 102 V (1K)
R48	7030003520	S.RES ERJ3GEYJ 472 V (4.7K)
R49	7030003440	S.RES ERJ3GEYJ 102 V (1K)
R50	7030003520	S.RES ERJ3GEYJ 472 V (4.7K)
R51	7030003320	S.RES ERJ3GEYJ 101 V (100)
R52	7030003680	S.RES ERJ3GEYJ 104 V (100K)
R53	7030003640	S.RES ERJ3GEYJ 473 V (47K)
R54	7030003640	S.RES ERJ3GEYJ 473 V (47K)
R55	7030003320	S.RES ERJ3GEYJ 101 V (100)
R56	7030003440	S.RES ERJ3GEYJ 102 V (1K)
R57	7030003520	S.RES ERJ3GEYJ 472 V (4.7K)
R58	7030003560	S.RES ERJ3GEYJ 103 V (10K)
R59	7010007020	RES PSD1/4 100 K
R60	7030003640	S.RES ERJ3GEYJ 473 V (47K)
R61	7030003540	S.RES ERJ3GEYJ 682 V (6.8K)
R62	7030003380	S.RES ERJ3GEYJ 331 V (330)
R63	7030003600	S.RES ERJ3GEYJ 223 V (22K)
R64	7030006521	S.RES ERA3YED 561V (560)
R65	7030003280	S.RES ERJ3GEYJ 470 V (47)
R66	7030003200	S.RES ERJ3GEYJ 100 V (10)
R67	7030003480	S.RES ERJ3GEYJ 222 V (2.2K)
R68	7030003280	S.RES ERJ3GEYJ 470 V (47)
R69	7030003520	S.RES ERJ3GEYJ 472 V (4.7K)
R70	7030003400	S.RES ERJ3GEYJ 471 V (470)
R71	7030003400	S.RES ERJ3GEYJ 471 V (470)
R72	7030003400	S.RES ERJ3GEYJ 471 V (470)
R73	7030003600	S.RES ERJ3GEYJ 223 V (22K)
R74	7030003280	S.RES ERJ3GEYJ 470 V (47)
R75	7010003201	RES PSD1/4V 22
R76	7030003540	S.RES ERJ3GEYJ 682 V (6.8K)
R77	7030003500	S.RES ERJ3GEYJ 332 V (3.3K)
R79	7030003800	S.RES ERJ3GEYJ 105 V (1M)
R80	7030003320	S.RES ERJ3GEYJ 101 V (100)
R81	7030003320	S.RES ERJ3GEYJ 101 V (100)
R82	7030003480	S.RES ERJ3GEYJ 222 V (2.2K)
R83	7030003480	S.RES ERJ3GEYJ 222 V (2.2K)
R84	7030003480	S.RES ERJ3GEYJ 222 V (2.2K)
R85	7030003360	S.RES ERJ3GEYJ 221 V (220)
R86	7030003440	S.RES ERJ3GEYJ 102 V (1K)
R87	7030003660	S.RES ERJ3GEYJ 683 V (68K)
R88	7030003610	S.RES ERJ3GEYJ 273 V (27K)
R89	7030003760	S.RES ERJ3GEYJ 474 V (470K)
R90	7510000290	THE ERT-D2ZGL 301S
R91	7030003320	S.RES ERJ3GEYJ 101 V (100)
R92	7030003320	S.RES ERJ3GEYJ 101 V (100)
R93	7010004272	RES PSD1/4 4.7K
R94	7030003560	S.RES ERJ3GEYJ 103 V (10K)
R95	7010003171	RES PSD1/4V 12
R96	7010003171	RES PSD1/4V 12
R97	7030003320	S.RES ERJ3GEYJ 101 V (100)
R98	7010003201	RES PSD1/4V 22
R99	7030003520	S.RES ERJ3GEYJ 472 V (4.7K)
R100	7030003530	S.RES ERJ3GEYJ 562 V (5.6K)
R101	7010003201	RES PSD1/4V 22
R102	7030003440	S.RES ERJ3GEYJ 102 V (1K)
R103	7030003640	S.RES ERJ3GEYJ 473 V (47K)
R104	7030003320	S.RES ERJ3GEYJ 101 V (100)
R105	7030003440	S.RES ERJ3GEYJ 102 V (1K)
R106	7030003380	S.RES ERJ3GEYJ 331 V (330)
R107	7030003560	S.RES ERJ3GEYJ 103 V (10K)
R108	7030003620	S.RES ERJ3GEYJ 333 V (33K)
R109	7030003460	S.RES ERJ3GEYJ 152 V (1.5K)
R110	7030003320	S.RES ERJ3GEYJ 101 V (100)
R111	7030003380	S.RES ERJ3GEYJ 331 V (330)
R112	7030003680	S.RES ERJ3GEYJ 104 V (100K)

M.=Mounted side (T: Mounted on the Top side, B: Mounted on the Bottom side)
S.=Surface mount

[MAIN-J UNIT]

REF NO.	ORDER NO.	DESCRIPTION
R113	7030003680	S.RES ERJ3GEYJ 104 V (100K)
R114	7030003720	S.RES ERJ3GEYJ 224 V (220K)
R116	7030003460	S.RES ERJ3GEYJ 152 V (1.5K)
R117	7030003560	S.RES ERJ3GEYJ 103 V (10K)
R118	7030003560	S.RES ERJ3GEYJ 103 V (10K)
R119	7030003320	S.RES ERJ3GEYJ 101 V (100)
	7030003320	S.RES ERJ3GEYJ 101 V (100)
	7030003320	S.RES ERJ3GEYJ 101 V (100)
	7030003320	S.RES ERJ3GEYJ 101 V (100)
	7030003320	S.RES ERJ3GEYJ 101 V (100)
R120	7030003320	S.RES ERJ3GEYJ 101 V (100)
	7030003320	S.RES ERJ3GEYJ 101 V (100)
	7030003320	S.RES ERJ3GEYJ 101 V (100)
	7030003320	S.RES ERJ3GEYJ 101 V (100)
	7030003320	S.RES ERJ3GEYJ 101 V (100)
R121	7030003480	S.RES ERJ3GEYJ 222 V (2.2K)
R122	7030003480	S.RES ERJ3GEYJ 222 V (2.2K)
R123	7030003480	S.RES ERJ3GEYJ 222 V (2.2K)
R124	7030003320	S.RES ERJ3GEYJ 101 V (100)
R125	7030003320	S.RES ERJ3GEYJ 101 V (100)
R126	7030003480	S.RES ERJ3GEYJ 222 V (2.2K)
R127	7030003480	S.RES ERJ3GEYJ 222 V (2.2K)
R128	7030003480	S.RES ERJ3GEYJ 222 V (2.2K)
R129	7030003320	S.RES ERJ3GEYJ 101 V (100)
R130	7030003320	S.RES ERJ3GEYJ 101 V (100)
R131	7010003381	RES PSD1/4V 680
R132	7030003480	S.RES ERJ3GEYJ 222 V (2.2K)
R133	7030003480	S.RES ERJ3GEYJ 222 V (2.2K)
R134	7030003480	S.RES ERJ3GEYJ 222 V (2.2K)
R135	7030003320	S.RES ERJ3GEYJ 101 V (100)
R136	7030003560	S.RES ERJ3GEYJ 103 V (10K)
R138	7030003680	S.RES ERJ3GEYJ 104 V (100K)
R139	7030003640	S.RES ERJ3GEYJ 473 V (47K)
R140	7030003680	S.RES ERJ3GEYJ 104 V (100K)
R143	7030003640	S.RES ERJ3GEYJ 473 V (47K)
R149	7030003200	S.RES ERJ3GEYJ 100 V (10)
R150	7010004272	RES PSD1/4 4.7K
R157	7030003620	S.RES ERJ3GEYJ 333 V (33K)
R158	7030003560	S.RES ERJ3GEYJ 103 V (10K)
R159	7010004342	RES PSD1/4 15 K
R161	7030003840	S.RES ERJ3GEYJ 225 V (2.2M)
R162	7030003800	S.RES ERJ3GEYJ 105 V (1M)
R163	7030003840	S.RES ERJ3GEYJ 225 V (2.2M)
R164	7030003720	S.RES ERJ3GEYJ 224 V (220K)
R165	7030003720	S.RES ERJ3GEYJ 224 V (220K)
R166	7030003680	S.RES ERJ3GEYJ 104 V (100K)
R167	7030003360	S.RES ERJ3GEYJ 221 V (220)
R168	7030003760	S.RES ERJ3GEYJ 474 V (470K)
R169	7030003760	S.RES ERJ3GEYJ 474 V (470K)
R170	7030003560	S.RES ERJ3GEYJ 103 V (10K)
R171	7010007160	RES PSD1/4V 15 K
R172	7030003620	S.RES ERJ3GEYJ 333 V (33K)
R173	7030003320	S.RES ERJ3GEYJ 101 V (100)
R174	7030003600	S.RES ERJ3GEYJ 223 V (22K)
R175	7030003440	S.RES ERJ3GEYJ 102 V (1K)
R176	7030003640	S.RES ERJ3GEYJ 473 V (47K)
R177	7030003680	S.RES ERJ3GEYJ 104 V (100K)
R183	7030003600	S.RES ERJ3GEYJ 223 V (22K)
R184	7310005540	S.TRI TMC3ADC14X (10K)
R185	7030003520	S.RES ERJ3GEYJ 472 V (4.7K)
R186	7030003680	S.RES ERJ3GEYJ 104 V (100K)
R187	7030003360	S.RES ERJ3GEYJ 221 V (220)
R188	7030003360	S.RES ERJ3GEYJ 221 V (220)
R189	7030003720	S.RES ERJ3GEYJ 224 V (220K)
R190	7030003320	S.RES ERJ3GEYJ 101 V (100)
R191	7030003480	S.RES ERJ3GEYJ 222 V (2.2K)
R192	7030003360	S.RES ERJ3GEYJ 221 V (220)
R193	7030003360	S.RES ERJ3GEYJ 221 V (220)
R194	7030003680	S.RES ERJ3GEYJ 104 V (100K)
R196	7030003480	S.RES ERJ3GEYJ 222 V (2.2K)
R197	7030003560	S.RES ERJ3GEYJ 103 V (10K)
R198	7030003560	S.RES ERJ3GEYJ 103 V (10K)
R199	7030003560	S.RES ERJ3GEYJ 103 V (10K)
R200	7030003560	S.RES ERJ3GEYJ 103 V (10K)
R201	7030003360	S.RES ERJ3GEYJ 221 V (220)
R202	7030003590	S.RES ERJ3GEYJ 183 V (18K)
R204	7030003480	S.RES ERJ3GEYJ 222 V (2.2K)
R205	7310005230	TRI VM5CK-PVB 10K
R207	7030003320	S.RES ERJ3GEYJ 101 V (100)
R208	7030003480	S.RES ERJ3GEYJ 222 V (2.2K)
R209	7030003580	S.RES ERJ3GEYJ 153 V (15K)
R210	7030003340	S.RES ERJ3GEYJ 151 V (150)
R211	7310005530	S.TRI TMC3ADC52X (470)
R212	7310005630	S.TRI TMC3ADC12X (100)
R213	7510000240	THE ERT-D2ZGL 332S
R214	7030003560	S.RES ERJ3GEYJ 103 V (10K)
R215	7030003440	S.RES ERJ3GEYJ 102 V (1K)
R216	7030003520	S.RES ERJ3GEYJ 472 V (4.7K)
R217	7030003560	S.RES ERJ3GEYJ 103 V (10K)
R218	7030003620	S.RES ERJ3GEYJ 333 V (33K)
R219	7030003520	S.RES ERJ3GEYJ 472 V (4.7K)
R220	7030003400	S.RES ERJ3GEYJ 471 V (470)
R221	7030003320	S.RES ERJ3GEYJ 101 V (100)
R222	7030003320	S.RES ERJ3GEYJ 101 V (100)
R223	7310005580	S.TRI TMC3ADC53X (4.7K)
R224	7030003620	S.RES ERJ3GEYJ 333 V (33K)
R225	7030003520	S.RES ERJ3GEYJ 472 V (4.7K)
R226	7030003400	S.RES ERJ3GEYJ 471 V (470)
R227	7030003320	S.RES ERJ3GEYJ 101 V (100)
R228	7030003320	S.RES ERJ3GEYJ 101 V (100)
R229	7030003360	S.RES ERJ3GEYJ 221 V (220)
R230	7030003520	S.RES ERJ3GEYJ 472 V (4.7K)
R231	7030003460	S.RES ERJ3GEYJ 152 V (1.5K)
R232	7030003500	S.RES ERJ3GEYJ 332 V (3.3K)

[MAIN-J UNIT]

REF NO.	ORDER NO.	DESCRIPTION
R233	7030003500	S.RES ERJ3GEYJ 332 V (3.3K)
R234	7030003560	S.RES ERJ3GEYJ 103 V (10K)
R235	7030004050	S.RES ERJ3GEYJ 1R0 V (1)
R236	7030003460	S.RES ERJ3GEYJ 152 V (1.5K)
R237	7030003390	S.RES ERJ3GEYJ 391 V (390)
R238	7310005080	S.TRI RH03ADCN3X (3.3K)
R239	7030003400	S.RES ERJ3GEYJ 471 V (470)
R240	7030003400	S.RES ERJ3GEYJ 471 V (470)
R241	7030003620	S.RES ERJ3GEYJ 333 V (33K)
R242	7030003620	S.RES ERJ3GEYJ 333 V (33K)
R243	7010006930	RES PSD1/4 470
R244	7030003520	S.RES ERJ3GEYJ 472 V (4.7K)
R245	7030003360	S.RES ERJ3GEYJ 221 V (220)
R246	7030003680	S.RES ERJ3GEYJ 104 V (100K)
R247	7030003520	S.RES ERJ3GEYJ 472 V (4.7K)
R254	7030003360	S.RES ERJ3GEYJ 221 V (220)
R255	7030003520	S.RES ERJ3GEYJ 472 V (4.7K)
R256	7030003320	S.RES ERJ3GEYJ 101 V (100)
R257	7310005230	TRI VM5CK-PVB 10K
R258	7030003600	S.RES ERJ3GEYJ 223 V (22K)
R259	7030003840	S.RES ERJ3GEYJ 225 V (2.2M)
R261	7030003840	S.RES ERJ3GEYJ 225 V (2.2M)
R262	7030003800	S.RES ERJ3GEYJ 105 V (1M)
R263	7030003800	S.RES ERJ3GEYJ 105 V (1M)
R264	7030003360	S.RES ERJ3GEYJ 221 V (220)
R265	7030003710	S.RES ERJ3GEYJ 184 V (180K)
R266	7030003600	S.RES ERJ3GEYJ 223 V (22K)
R267	7030003800	S.RES ERJ3GEYJ 105 V (1M)
R268	7030003280	S.RES ERJ3GEYJ 470 V (47)
R269	7030003520	S.RES ERJ3GEYJ 472 V (4.7K)
R270	7030003680	S.RES ERJ3GEYJ 104 V (100K)
R271	7030003520	S.RES ERJ3GEYJ 472 V (4.7K)
R272	7030003520	S.RES ERJ3GEYJ 472 V (4.7K)
R273	7030003640	S.RES ERJ3GEYJ 473 V (47K)
R274	7030003680	S.RES ERJ3GEYJ 104 V (100K)
R275	7030003680	S.RES ERJ3GEYJ 104 V (100K)
R276	7030003440	S.RES ERJ3GEYJ 102 V (1K)
R277	7030003360	S.RES ERJ3GEYJ 221 V (220)
R278	7030003620	S.RES ERJ3GEYJ 333 V (33K)
R279	7030003320	S.RES ERJ3GEYJ 101 V (100)
R280	7030003380	S.RES ERJ3GEYJ 331 V (330)
R281	7030003500	S.RES ERJ3GEYJ 332 V (3.3K)
R282	7030003580	S.RES ERJ3GEYJ 153 V (15K)
R283	7030003460	S.RES ERJ3GEYJ 152 V (1.5K)
R284	7030003560	S.RES ERJ3GEYJ 103 V (10K)
R285	7030003520	S.RES ERJ3GEYJ 472 V (4.7K)
R286	7030003720	S.RES ERJ3GEYJ 224 V (220K)
R287	7030003650	S.RES ERJ3GEYJ 563 V (56K)
R288	7010003301	RES PSD1/4V 150
R290	7030003400	S.RES ERJ3GEYJ 471 V (470)
R291	7030006521	S.RES ERA3YED 561V (560)
R292	7030003580	S.RES ERJ3GEYJ 153 V (15K)
R293	7030003560	S.RES ERJ3GEYJ 103 V (10K)
R294	7030003580	S.RES ERJ3GEYJ 153 V (15K)
R295	7030003560	S.RES ERJ3GEYJ 103 V (10K)
R296	7030003680	S.RES ERJ3GEYJ 104 V (100K)
R297	7030003680	S.RES ERJ3GEYJ 104 V (100K)
R298	7030003320	S.RES ERJ3GEYJ 101 V (100)
R299	7030003480	S.RES ERJ3GEYJ 222 V (2.2K)
R300	7310005230	TRI VM5CK-PVB 10K
R301	7030003580	S.RES ERJ3GEYJ 153 V (15K)
R302	7030003600	S.RES ERJ3GEYJ 223 V (22K)
R303	7030003520	S.RES ERJ3GEYJ 472 V (4.7K)
R304	7030003640	S.RES ERJ3GEYJ 473 V (47K)
R305	7030003840	S.RES ERJ3GEYJ 225 V (2.2M)
R306	7030003620	S.RES ERJ3GEYJ 333 V (33K)
R307	7030003440	S.RES ERJ3GEYJ 102 V (1K)
R308	7030003440	S.RES ERJ3GEYJ 102 V (1K)
R310	7030003770	S.RES ERJ3GEYJ 564 V (560K)
R324	7030003480	S.RES ERJ3GEYJ 222 V (2.2K)
R325	7030003320	S.RES ERJ3GEYJ 101 V (100)
R328	7030003520	S.RES ERJ3GEYJ 472 V (4.7K)
R329	7030003440	S.RES ERJ3GEYJ 102 V (1K)
R333	7030003480	S.RES ERJ3GEYJ 222 V (2.2K)
R334	7030003440	S.RES ERJ3GEYJ 102 V (1K)
R335	7030003440	S.RES ERJ3GEYJ 102 V (1K)
R336	7030003680	S.RES ERJ3GEYJ 104 V (100K)
R337	7030003480	S.RES ERJ3GEYJ 222 V (2.2K)
R338	7030003480	S.RES ERJ3GEYJ 222 V (2.2K)
R339	7030003680	S.RES ERJ3GEYJ 104 V (100K)
R340	7030003520	S.RES ERJ3GEYJ 472 V (4.7K)
R342	7030003680	S.RES ERJ3GEYJ 104 V (100K)
R344	7030003680	S.RES ERJ3GEYJ 104 V (100K)
R345	7030003560	S.RES ERJ3GEYJ 103 V (10K)
R346	7030003400	S.RES ERJ3GEYJ 471 V (470)
R348	7030003680	S.RES ERJ3GEYJ 104 V (100K)
R349	7030003560	S.RES ERJ3GEYJ 103 V (10K)
R350	7030003400	S.RES ERJ3GEYJ 471 V (470)
R352	7030003680	S.RES ERJ3GEYJ 104 V (100K)
R353	7030003400	S.RES ERJ3GEYJ 471 V (470)
R354	7030003560	S.RES ERJ3GEYJ 103 V (10K)
R362	7030003480	S.RES ERJ3GEYJ 222 V (2.2K)
R363	7030003500	S.RES ERJ3GEYJ 332 V (3.3K)
R364	7030003480	S.RES ERJ3GEYJ 222 V (2.2K)
R365	7030003440	S.RES ERJ3GEYJ 102 V (1K)
R369	7030003500	S.RES ERJ3GEYJ 332 V (3.3K)
R370	7030003550	S.RES ERJ3GEYJ 822 V (8.2K)
R371	7030003560	S.RES ERJ3GEYJ 103 V (10K)
R372	7030003440	S.RES ERJ3GEYJ 102 V (1K)
R373	7030003760	S.RES ERJ3GEYJ 474 V (470K)
R374	7030003760	S.RES ERJ3GEYJ 474 V (470K)
R375	7030003560	S.RES ERJ3GEYJ 103 V (10K)
R376	7030003560	S.RES ERJ3GEYJ 103 V (10K)
R377	7010000091	RES PSN1/4V 4.7

M.=Mounted side (T: Mounted on the Top side, B: Mounted on the Bottom side)
S.=Surface mount

[MAIN-J UNIT]

REF NO.	ORDER NO.	DESCRIPTION
R378	7010006940	RES PSD1/4 1 K
R379	7010000091	RES PSN1/4V 4.7
R380	7010006940	RES PSD1/4 1 K
R381	7030003480	S.RES ERJ3GEYJ 222 V (2.2K)
R382	7030003720	S.RES ERJ3GEYJ 224 V (220K)
R383	7030003440	S.RES ERJ3GEYJ 102 V (1K)
R385	7030003360	S.RES ERJ3GEYJ 221 V (220)
R386	7030003530	S.RES ERJ3GEYJ 562 V (5.6K)
R387	7030003530	S.RES ERJ3GEYJ 562 V (5.6K)
R388	7030003530	S.RES ERJ3GEYJ 562 V (5.6K)
R389	7030003590	S.RES ERJ3GEYJ 183 V (18K)
R390	7030003440	S.RES ERJ3GEYJ 102 V (1K)
R391	7030003500	S.RES ERJ3GEYJ 332 V (3.3K)
R392	7030003380	S.RES ERJ3GEYJ 331 V (330)
R393	7010004691	RES PSD1/2 47
R394	7030003280	S.RES ERJ3GEYJ 470 V (47)
R395	7030003560	S.RES ERJ3GEYJ 103 V (10K)
R396	7030003680	S.RES ERJ3GEYJ 104 V (100K)
R403	7030003640	S.RES ERJ3GEYJ 473 V (47K)
R404	7030003440	S.RES ERJ3GEYJ 102 V (1K)
R411	7030003560	S.RES ERJ3GEYJ 103 V (10K)
R412	7030003560	S.RES ERJ3GEYJ 103 V (10K)
R413	7010003281	RES PSD1/4V 100
R414	7030003560	S.RES ERJ3GEYJ 103 V (10K)
R415	7030003620	S.RES ERJ3GEYJ 333 V (33K)
R416	7030003600	S.RES ERJ3GEYJ 223 V (22K)
R448	7030003380	S.RES ERJ3GEYJ 331 V (330)
R449	7010003181	RES PSD1/4V 15
R450	7030003380	S.RES ERJ3GEYJ 331 V (330)
R465	7010003201	RES PSD1/4V 22
R466	7010003201	RES PSD1/4V 22
R467	7010003201	RES PSD1/4V 22
R468	7010003201	RES PSD1/4V 22
R469	7010003201	RES PSD1/4V 22
R470	7010003201	RES PSD1/4V 22
R471	7010003201	RES PSD1/4V 22
R472	7010003201	RES PSD1/4V 22
R481	7030003640	S.RES ERJ3GEYJ 473 V (47K)
R493	7030003640	S.RES ERJ3GEYJ 473 V (47K)
R494	7030003640	S.RES ERJ3GEYJ 473 V (47K)
R501	7030003560	S.RES ERJ3GEYJ 103 V (10K)
R502	7030003560	S.RES ERJ3GEYJ 103 V (10K)
R503	7030003560	S.RES ERJ3GEYJ 103 V (10K)
R504	7030003640	S.RES ERJ3GEYJ 473 V (47K)
R505	7030003440	S.RES ERJ3GEYJ 102 V (1K)
R506	7030003680	S.RES ERJ3GEYJ 104 V (100K)
R510	7030003540	S.RES ERJ3GEYJ 682 V (6.8K)
R514	7010000291	RES PSN1/4V 220
R515	7030003520	S.RES ERJ3GEYJ 472 V (4.7K)
R517	7030003560	S.RES ERJ3GEYJ 103 V (10K)
R518	7030003400	S.RES ERJ3GEYJ 471 V (470)
R519	7030003640	S.RES ERJ3GEYJ 473 V (47K)
R520	7030003380	S.RES ERJ3GEYJ 331 V (330)
R521	7010003181	RES PSD1/4V 15
R522	7030003380	S.RES ERJ3GEYJ 331 V (330)
R523	7010004691	RES PSD1/2 47
R525	7030003600	S.RES ERJ3GEYJ 223 V (22K)
R526	7030003520	S.RES ERJ3GEYJ 472 V (4.7K)
R527	7030003640	S.RES ERJ3GEYJ 473 V (47K)
R528	7030003580	S.RES ERJ3GEYJ 153 V (15K)
R529	7070000281	RES ERX1SJ 2R2 (2.2)
R533	7030003560	S.RES ERJ3GEYJ 103 V (10K)
R534	7030003440	S.RES ERJ3GEYJ 102 V (1K)
R535	7030003440	S.RES ERJ3GEYJ 102 V (1K)
R536	7030003560	S.RES ERJ3GEYJ 103 V (10K)
R537	7030003440	S.RES ERJ3GEYJ 102 V (1K)
R538	7030003440	S.RES ERJ3GEYJ 102 V (1K)
R539	7030003440	S.RES ERJ3GEYJ 102 V (1K)
R540	7030003440	S.RES ERJ3GEYJ 102 V (1K)
R541	7030003440	S.RES ERJ3GEYJ 102 V (1K)
R542	7030003440	S.RES ERJ3GEYJ 102 V (1K)
R543	7030003440	S.RES ERJ3GEYJ 102 V (1K)
R544	7030003440	S.RES ERJ3GEYJ 102 V (1K)
R545	7010007020	RES PSD1/4 100 K
R601	7030003400	S.RES ERJ3GEYJ 471 V (470)
R602	7030003480	S.RES ERJ3GEYJ 222 V (2.2K)
R603	7030003440	S.RES ERJ3GEYJ 102 V (1K)
R604	7030003760	S.RES ERJ3GEYJ 474 V (470K)
R605	7030003720	S.RES ERJ3GEYJ 224 V (220K)
R606	7030003720	S.RES ERJ3GEYJ 224 V (220K)
R607	7030003680	S.RES ERJ3GEYJ 104 V (100K)
R608	7030003600	S.RES ERJ3GEYJ 223 V (22K)
R609	7030003600	S.RES ERJ3GEYJ 223 V (22K)
R610	7030003600	S.RES ERJ3GEYJ 223 V (22K)
R611	7030003600	S.RES ERJ3GEYJ 223 V (22K)
R612	7030003640	S.RES ERJ3GEYJ 473 V (47K)
R633	7030003640	S.RES ERJ3GEYJ 473 V (47K)
R634	7030003440	S.RES ERJ3GEYJ 102 V (1K)
R635	7030003440	S.RES ERJ3GEYJ 102 V (1K)
R636	7030003440	S.RES ERJ3GEYJ 102 V (1K)
R637	7030003440	S.RES ERJ3GEYJ 102 V (1K)
R638	7030003440	S.RES ERJ3GEYJ 102 V (1K)
R639	7030003440	S.RES ERJ3GEYJ 102 V (1K)
R640	7030003440	S.RES ERJ3GEYJ 102 V (1K)
R641	7030003500	S.RES ERJ3GEYJ 332 V (3.3K)
R642	7030003640	S.RES ERJ3GEYJ 473 V (47K)
R646	7030003440	S.RES ERJ3GEYJ 102 V (1K)
R647	7030003560	S.RES ERJ3GEYJ 103 V (10K)
R648	7030003560	S.RES ERJ3GEYJ 103 V (10K)
R650	7030003600	S.RES ERJ3GEYJ 223 V (22K)
R651	7030003440	S.RES ERJ3GEYJ 102 V (1K)
R652	7030003440	S.RES ERJ3GEYJ 102 V (1K)
R653	7030003640	S.RES ERJ3GEYJ 473 V (47K)
R654	7030003440	S.RES ERJ3GEYJ 102 V (1K)

[MAIN-J UNIT]

REF NO.	ORDER NO.	DESCRIPTION
R655	7030003440	S.RES ERJ3GEYJ 102 V (1K)
R657	7030003440	S.RES ERJ3GEYJ 102 V (1K)
R658	7030003440	S.RES ERJ3GEYJ 102 V (1K)
R659	7030003440	S.RES ERJ3GEYJ 102 V (1K)
R663	7030003640	S.RES ERJ3GEYJ 473 V (47K)
R664	7030003640	S.RES ERJ3GEYJ 473 V (47K)
R670	7030003620	S.RES ERJ3GEYJ 333 V (33K)
R671	7030003540	S.RES ERJ3GEYJ 682 V (6.8K)
R672	7030003640	S.RES ERJ3GEYJ 473 V (47K)
R673	7030003590	S.RES ERJ3GEYJ 183 V (18K)
R674	7030003440	S.RES ERJ3GEYJ 102 V (1K)
R675	7030003440	S.RES ERJ3GEYJ 102 V (1K)
R676	7030003640	S.RES ERJ3GEYJ 473 V (47K)
R677	7030003640	S.RES ERJ3GEYJ 473 V (47K)
R678	7030003640	S.RES ERJ3GEYJ 473 V (47K)
R679	7030003640	S.RES ERJ3GEYJ 473 V (47K)
R680	7030003360	S.RES ERJ3GEYJ 221 V (220)
R681	7030003440	S.RES ERJ3GEYJ 102 V (1K)
R682	7030003440	S.RES ERJ3GEYJ 102 V (1K)
R683	7030003440	S.RES ERJ3GEYJ 102 V (1K)
R684	7030003440	S.RES ERJ3GEYJ 102 V (1K)
R690	7030003200	S.RES ERJ3GEYJ 100 V (10)
R691	7030003200	S.RES ERJ3GEYJ 100 V (10)
R692	7030003200	S.RES ERJ3GEYJ 100 V (10)
R693	7030003200	S.RES ERJ3GEYJ 100 V (10)
R694	7030003200	S.RES ERJ3GEYJ 100 V (10)
R695	7030003200	S.RES ERJ3GEYJ 100 V (10)
R696	7030003200	S.RES ERJ3GEYJ 100 V (10)
R697	7030003200	S.RES ERJ3GEYJ 100 V (10)
R698	7010003381	RES PSD1/4V 680
R699	7030003320	S.RES ERJ3GEYJ 101 V (100)
R700	7030003320	S.RES ERJ3GEYJ 101 V (100)
R701	7010007710	RES RDS2TJ1R0
R702	7030003400	S.RES ERJ3GEYJ 471 V (470)
R703	7030003580	S.RES ERJ3GEYJ 153 V (15K)
R704	7030003500	S.RES ERJ3GEYJ 332 V (3.3K)
R705	7030003640	S.RES ERJ3GEYJ 473 V (47K)
R706	7030003600	S.RES ERJ3GEYJ 223 V (22K)
R707	7030003360	S.RES ERJ3GEYJ 221 V (220)
R708	7030003440	S.RES ERJ3GEYJ 102 V (1K)
R709	7030003620	S.RES ERJ3GEYJ 333 V (33K)
	7030003620	S.RES ERJ3GEYJ 333 V (33K)
	7030003620	S.RES ERJ3GEYJ 333 V (33K)
	7030003550	S.RES ERJ3GEYJ 822 V (8.2K)
	7030003620	S.RES ERJ3GEYJ 333 V (33K)
	7030003620	S.RES ERJ3GEYJ 333 V (33K)
	7030003620	S.RES ERJ3GEYJ 333 V (33K)
	7030003620	S.RES ERJ3GEYJ 333 V (33K)
R714	7030003640	S.RES ERJ3GEYJ 473 V (47K)
R719	7030003640	S.RES ERJ3GEYJ 473 V (47K)
R720	7030003620	S.RES ERJ3GEYJ 333 V (33K)
R721	7030003520	S.RES ERJ3GEYJ 472 V (4.7K)
R722	7030003640	S.RES ERJ3GEYJ 473 V (47K)
R723	7030003580	S.RES ERJ3GEYJ 153 V (15K)
R724	7030003440	S.RES ERJ3GEYJ 102 V (1K)
R725	7030003440	S.RES ERJ3GEYJ 102 V (1K)
R726	7030003440	S.RES ERJ3GEYJ 102 V (1K)
R729	7030003680	S.RES ERJ3GEYJ 104 V (100K)
R730	7010003171	RES PSD1/4V 12
R731	7030003520	S.RES ERJ3GEYJ 472 V (4.7K)
R732	7030003640	S.RES ERJ3GEYJ 473 V (47K)
R733	7030003680	S.RES ERJ3GEYJ 104 V (100K)
R734	7030003680	S.RES ERJ3GEYJ 104 V (100K)
R735	7030003680	S.RES ERJ3GEYJ 104 V (100K)
R736	7030003680	S.RES ERJ3GEYJ 104 V (100K)
R738	7030003640	S.RES ERJ3GEYJ 473 V (47K)
R739	7030003640	S.RES ERJ3GEYJ 473 V (47K)
R740	7030003320	S.RES ERJ3GEYJ 101 V (100)
R741	7030003620	S.RES ERJ3GEYJ 333 V (33K)
R742	7030003640	S.RES ERJ3GEYJ 473 V (47K)
R743	7030003480	S.RES ERJ3GEYJ 222 V (2.2K)
R744	7030006521	S.RES ERA3YED 561V (560)
	7030006521	S.RES ERA3YED 561V (560)
R745	7030006521	S.RES ERA3YED 561V (560)
	7030006521	S.RES ERA3YED 561V (560)
R746	7030003320	S.RES ERJ3GEYJ 101 V (100)
	7030003320	S.RES ERJ3GEYJ 101 V (100)
R747	7030003400	S.RES ERJ3GEYJ 471 V (470)
	7030003400	S.RES ERJ3GEYJ 471 V (470)
R748	7030003600	S.RES ERJ3GEYJ 223 V (22K)
	7030003600	S.RES ERJ3GEYJ 223 V (22K)
R749	7030003640	S.RES ERJ3GEYJ 473 V (47K)
	7030003640	S.RES ERJ3GEYJ 473 V (47K)
R750	7030003440	S.RES ERJ3GEYJ 102 V (1K)
	7030003440	S.RES ERJ3GEYJ 102 V (1K)
R751	7030006521	S.RES ERA3YED 561V (560)
	7030006521	S.RES ERA3YED 561V (560)
R752	7030003320	S.RES ERJ3GEYJ 101 V (100)
R753	7030003400	S.RES ERJ3GEYJ 471 V (470)
R754	7030003600	S.RES ERJ3GEYJ 223 V (22K)
R755	7030003640	S.RES ERJ3GEYJ 473 V (47K)
R756	7030003440	S.RES ERJ3GEYJ 102 V (1K)
R757	7030006521	S.RES ERA3YED 561V (560)
R764	7030003620	S.RES ERJ3GEYJ 333 V (33K)
R765	7030003380	S.RES ERJ3GEYJ 331 V (330)
R766	7030003200	S.RES ERJ3GEYJ 100 V (10)
R771	7030003480	S.RES ERJ3GEYJ 222 V (2.2K)
R772	7030003530	S.RES ERJ3GEYJ 562 V (5.6K)
R773	7030003530	S.RES ERJ3GEYJ 562 V (5.6K)
R774	7030003600	S.RES ERJ3GEYJ 223 V (22K)
R777	7030003760	S.RES ERJ3GEYJ 474 V (470K)
R778	7030003440	S.RES ERJ3GEYJ 102 V (1K)
R779	7030003720	S.RES ERJ3GEYJ 224 V (220K)
R781	7030003520	S.RES ERJ3GEYJ 472 V (4.7K)
R782	7030003620	S.RES ERJ3GEYJ 472 V (4.7K)

[GEN-21]
[GEN-22]
[GEN-23]
[GEN-25]
[CHN]
[EUR-21]
[EUR-22]

[GEN-23]
[EUR-22]
[GEN-23]
[EUR-22]
[GEN-23]
[EUR-22]
[GEN-23]
[EUR-22]
[GEN-23]
[EUR-22]
[GEN-23]
[EUR-22]
[GEN-23]
[EUR-22]
[GEN-23]
[EUR-22]
[GEN-23]
[EUR-22]
[GEN-23]
[EUR-22]

M.=Mounted side (T: Mounted on the Top side, B: Mounted on the Bottom side)
S.=Surface mount

[MAIN-J UNIT]

REF NO.	ORDER NO.	DESCRIPTION
R783	7030003440	S.RES ERJ3GEYJ 102 V (1K)
R784	7030003440	S.RES ERJ3GEYJ 102 V (1K)
R785	7030003440	S.RES ERJ3GEYJ 102 V (1K)
R786	7030003440	S.RES ERJ3GEYJ 102 V (1K)
R787	7030003440	S.RES ERJ3GEYJ 102 V (1K)
R788	7030003560	S.RES ERJ3GEYJ 103 V (10K)
R789	7030003340	S.RES ERJ3GEYJ 151 V (150)
R790	7030003380	S.RES ERJ3GEYJ 331 V (330)
R791	7030003320	S.RES ERJ3GEYJ 101 V (100)
R792	7030003680	S.RES ERJ3GEYJ 104 V (100K)
R793	7030003560	S.RES ERJ3GEYJ 103 V (10K)
R794	7030003360	S.RES ERJ3GEYJ 221 V (220)
R796	7030003320	S.RES ERJ3GEYJ 101 V (100)
R797	7030003520	S.RES ERJ3GEYJ 472 V (4.7K)
R798	7030003440	S.RES ERJ3GEYJ 102 V (1K)
R799	7030003560	S.RES ERJ3GEYJ 103 V (10K)
R800	7030003600	S.RES ERJ3GEYJ 223 V (22K)
R801	7030003680	S.RES ERJ3GEYJ 104 V (100K)
R802	7030003600	S.RES ERJ3GEYJ 223 V (22K)
R803	7510000540	THE ERT-D2ZGL 171S
R804	7030003520	S.RES ERJ3GEYJ 472 V (4.7K)
R805	7030003670	S.RES ERJ3GEYJ 823 V (82K)
R806	7030003720	S.RES ERJ3GEYJ 224 V (220K)
R807	7510000300	THE ERT-D2ZGL 601S
R808	7030003440	S.RES ERJ3GEYJ 102 V (1K)
R809	7030003600	S.RES ERJ3GEYJ 223 V (22K)
R810	7030003680	S.RES ERJ3GEYJ 104 V (100K)
R811	7030003560	S.RES ERJ3GEYJ 103 V (10K)
R812	7030003680	S.RES ERJ3GEYJ 104 V (100K)
R813	7030003440	S.RES ERJ3GEYJ 102 V (1K)
R820	7030003560	S.RES ERJ3GEYJ 103 V (10K)
R821	7030003600	S.RES ERJ3GEYJ 223 V (22K)
R822	7030003680	S.RES ERJ3GEYJ 104 V (100K)
R823	7030003560	S.RES ERJ3GEYJ 103 V (10K)
R824	7030009220	S.RES ERJ12YJ561U
R825	7030003460	S.RES ERJ3GEYJ 152 V (1.5K)
R826	7030003520	S.RES ERJ3GEYJ 472 V (4.7K)
R827	7030003500	S.RES ERJ3GEYJ 332 V (3.3K)
R828	7030003560	S.RES ERJ3GEYJ 103 V (10K)
R829	7030003560	S.RES ERJ3GEYJ 103 V (10K)
R830	7030003560	S.RES ERJ3GEYJ 103 V (10K)
R831	7030003560	S.RES ERJ3GEYJ 103 V (10K)
R832	7030003560	S.RES ERJ3GEYJ 103 V (10K)
R833	7030003560	S.RES ERJ3GEYJ 103 V (10K)
R834	7030003560	S.RES ERJ3GEYJ 103 V (10K)
R835	7030003560	S.RES ERJ3GEYJ 103 V (10K)
R836	7030007360	S.RES ERJ1WYJ470U (47)
R837	7030003440	S.RES ERJ3GEYJ 102 V (1K)
R838	7030003440	S.RES ERJ3GEYJ 102 V (1K)
R839	7030003500	S.RES ERJ3GEYJ 332 V (3.3K)
R840	7030003500	S.RES ERJ3GEYJ 332 V (3.3K)
R841	7030003440	S.RES ERJ3GEYJ 102 V (1K)
R842	7030003440	S.RES ERJ3GEYJ 102 V (1K)
R843	7030003420	S.RES ERJ3GEYJ 681 V (680)
R844	7310000540	S.TRI TMC3ADC14X (10K)
R845	7030003440	S.RES ERJ3GEYJ 102 V (1K)
R858	7030003460	S.RES ERJ3GEYJ 152 V (1.5K)
R876	7030003440	S.RES ERJ3GEYJ 102 V (1K)
R885	7030003510	S.RES ERJ3GEYJ 392 V (3.9K)
R886	7030003510	S.RES ERJ3GEYJ 392 V (3.9K)
R887	7030003320	S.RES ERJ3GEYJ 101 V (100)
R888	7030003460	S.RES ERJ3GEYJ 152 V (1.5K)
R900	7030003440	S.RES ERJ3GEYJ 102 V (1K)
R901	7030003560	S.RES ERJ3GEYJ 103 V (10K)
R902	7510001350	THE ERT-D2ZHL 103S
R903	7510000230	THE ERT-D2ZGL 251S
R904	7030003280	S.RES ERJ3GEYJ 470 V (47)
W10	7030003860	S.RES ERJ3GE JPW V [GEN-21]
	7030003860	S.RES ERJ3GE JPW V [GEN-22]
	7030003860	S.RES ERJ3GE JPW V [GEN-23]
	7030003860	S.RES ERJ3GE JPW V [GEN-25]
	7030003860	S.RES ERJ3GE JPW V [CHN]
W12	7030003860	S.RES ERJ3GE JPW V [GEN-21]
	7030003860	S.RES ERJ3GE JPW V [GEN-22]
	7030003860	S.RES ERJ3GE JPW V [GEN-25]
	7030003860	S.RES ERJ3GE JPW V [CHN]
	7030003860	S.RES ERJ3GE JPW V [EUR-21]
W14	7030003860	S.RES ERJ3GE JPW V [GEN-21]
	7030003860	S.RES ERJ3GE JPW V [GEN-22]
	7030003860	S.RES ERJ3GE JPW V [GEN-25]
	7030003860	S.RES ERJ3GE JPW V [CHN]
	7030003860	S.RES ERJ3GE JPW V [EUR-21]
W17	7030003860	S.RES ERJ3GE JPW V [GEN-21]
W18	7030003860	S.RES ERJ3GE JPW V [GEN-22]
W23	7030003860	S.RES ERJ3GE JPW V [GEN-23]
W24	7030003860	S.RES ERJ3GE JPW V [GEN-25]
W25	7030003860	S.RES ERJ3GE JPW V [CHN]
W27	7030003860	S.RES ERJ3GE JPW V [EUR-21]
W30	7030003860	S.RES ERJ3GE JPW V [EUR-22]
	7030003860	S.RES ERJ3GE JPW V [GEN-21]
W31	7030003860	S.RES ERJ3GE JPW V [EUR-21]
	7030003860	S.RES ERJ3GE JPW V [GEN-22]
W33	7030003860	S.RES ERJ3GE JPW V [GEN-23]
W34	7030003860	S.RES ERJ3GE JPW V [GEN-25]
	7030003860	S.RES ERJ3GE JPW V [CHN]
	7030003860	S.RES ERJ3GE JPW V [EUR-21]
C2	4030008920	S.CER C1608 JB 1H 473K-T

[MAIN-J UNIT]

REF NO.	ORDER NO.	DESCRIPTION
C3	4030006880	S.CER C1608 JB 1H 472K-T
C4	4030006870	S.CER C1608 JB 1H 222K-T
C5	4030006900	S.CER C1608 JB 1H 103K-T
C6	4030010020	S.CER C1608 JB 1H 122K-T
C7	4030008860	S.CER C1608 JB 1H 153K-T
C8	4030006870	S.CER C1608 JB 1H 222K-T
C9	4030008920	S.CER C1608 JB 1H 473K-T
C10	4030008920	S.CER C1608 JB 1H 473K-T
C11	4030006870	S.CER C1608 JB 1H 222K-T
C12	4030011280	S.CER C1608 CH 1H 271J-T
C13	4030009970	S.CER C1608 JB 1H 182K-T
C14	4030008920	S.CER C1608 JB 1H 473K-T
C15	4030011600	S.CER C1608 JB 1E 104K-T
C16	4030011600	S.CER C1608 JB 1E 104K-T
C17	4030009980	S.CER C1608 JB 1H 152K-T
C18	4030010750	S.CER C1608 CH 1H 201J-T
C19	4030009980	S.CER C1608 JB 1H 152K-T
C20	4030008470	S.CER C1608 JB 1H 272K-T
C21	4030008850	S.CER C1608 JB 1H 123K-T
C22	4030009980	S.CER C1608 JB 1H 152K-T
C23	4030011600	S.CER C1608 JB 1E 104K-T
C24	4030011600	S.CER C1608 JB 1E 104K-T
C25	4030010040	S.CER C1608 JB 1H 561K-T
C26	4030007140	S.CER C1608 CH 1H 121J-T
C27	4030010040	S.CER C1608 JB 1H 561K-T
C28	4030009980	S.CER C1608 JB 1H 152K-T
C29	4030006880	S.CER C1608 JB 1H 472K-T
C30	4030006860	S.CER C1608 JB 1H 102K-T
C31	4030011600	S.CER C1608 JB 1E 104K-T
C32	4030011600	S.CER C1608 JB 1E 104K-T
C33	4030010040	S.CER C1608 JB 1H 561K-T
C34	4030007130	S.CER C1608 CH 1H 101J-T
C35	4030006850	S.CER C1608 JB 1H 471K-T
C36	4030010040	S.CER C1608 JB 1H 561K-T
C37	4030009970	S.CER C1608 JB 1H 182K-T
C38	4030006850	S.CER C1608 JB 1H 471K-T
C39	4030011600	S.CER C1608 JB 1E 104K-T
C40	4030011600	S.CER C1608 JB 1E 104K-T
C41	4030006850	S.CER C1608 JB 1H 471K-T
C42	4030007100	S.CER C1608 CH 1H 560J-T
C43	4030010760	S.CER C1608 CH 1H 331J-T
C44	4030006850	S.CER C1608 JB 1H 471K-T
C45	4030006870	S.CER C1608 JB 1H 222K-T
C46	4030010760	S.CER C1608 CH 1H 331J-T
C47	4030011600	S.CER C1608 JB 1E 104K-T
C48	4030011600	S.CER C1608 JB 1E 104K-T
C49	4030011330	S.CER C1608 CH 1H 391J-T
C50	4030007080	S.CER C1608 CH 1H 390J-T
C51	4030011830	S.CER C1608 CH 1H 301J-T
C52	4030011280	S.CER C1608 CH 1H 271J-T
C53	4030006870	S.CER C1608 JB 1H 222K-T
C54	4030007170	S.CER C1608 CH 1H 221J-T
C55	4030011600	S.CER C1608 JB 1E 104K-T
C56	4030011600	S.CER C1608 JB 1E 104K-T
C57	4030011830	S.CER C1608 CH 1H 301J-T
C58	4030007090	S.CER C1608 CH 1H 470J-T
C59	4030007170	S.CER C1608 CH 1H 221J-T
C60	4030011280	S.CER C1608 CH 1H 271J-T
C61	4030009980	S.CER C1608 JB 1H 152K-T
C62	4030007160	S.CER C1608 CH 1H 181J-T
C63	4030011600	S.CER C1608 JB 1E 104K-T
C64	4030011600	S.CER C1608 JB 1E 104K-T
C65	4030010750	S.CER C1608 CH 1H 201J-T
C66	4030007050	S.CER C1608 CH 1H 220J-T
C67	4030007160	S.CER C1608 CH 1H 181J-T
C68	4030007160	S.CER C1608 CH 1H 181J-T
C69	4030009980	S.CER C1608 JB 1H 152K-T
C70	4030007150	S.CER C1608 CH 1H 151J-T
C71	4030011600	S.CER C1608 JB 1E 104K-T
C72	4030011600	S.CER C1608 JB 1E 104K-T
C73	4030007150	S.CER C1608 CH 1H 151J-T
C74	4030007040	S.CER C1608 CH 1H 180J-T
C75	4030007130	S.CER C1608 CH 1H 101J-T
C76	4030007150	S.CER C1608 CH 1H 151J-T
C77	4030006860	S.CER C1608 JB 1H 102K-T
C78	4030007130	S.CER C1608 CH 1H 101J-T
C79	4030011600	S.CER C1608 JB 1E 104K-T
C80	4030008920	S.CER C1608 JB 1H 473K-T
C81	4030008920	S.CER C1608 JB 1H 473K-T
C82	4030006880	S.CER C1608 JB 1H 472K-T
C83	4030008920	S.CER C1608 JB 1H 473K-T
C84	4030008920	S.CER C1608 JB 1H 473K-T
C85	4030006880	S.CER C1608 JB 1H 472K-T
C86	4030011600	S.CER C1608 JB 1E 104K-T
C87	4030006880	S.CER C1608 JB 1H 472K-T
C88	4030008920	S.CER C1608 JB 1H 473K-T
C89	4030007030	S.CER C1608 CH 1H 150J-T
C90	4030006960	S.CER C1608 CH 1H 050C-T
C91	4030007080	S.CER C1608 CH 1H 390J-T
C92	4030007040	S.CER C1608 CH 1H 180J-T
C93	4030007050	S.CER C1608 CH 1H 220J-T
C94	4030008920	S.CER C1608 JB 1H 473K-T
C95	4030008920	S.CER C1608 JB 1H 473K-T
C96	4030006960	S.CER C1608 CH 1H 050C-T
C98	4030006860	S.CER C1608 JB 1H 102K-T
C99	4030006880	S.CER C1608 JB 1H 472K-T
C100	4030006880	S.CER C1608 JB 1H 472K-T
C101	4030007090	S.CER C1608 CH 1H 470J-T
C102	4030007090	S.CER C1608 CH 1H 470J-T
C103	4030007170	S.CER C1608 CH 1H 221J-T
C104	4030006930	S.CER C1608 CH 1H 020C-T
C106	4030006880	S.CER C1608 JB 1H 472K-T
C107	4030006880	S.CER C1608 JB 1H 472K-T
C108	4030006880	S.CER C1608 JB 1H 472K-T

M.=Mounted side (T: Mounted on the Top side, B: Mounted on the Bottom side)
S.=Surface mount

[MAIN-J UNIT]

REF NO.	ORDER NO.	DESCRIPTION
C109	4030006880	S.CER C1608 JB 1H 472K-T
C110	4510006160	ELE 25 ME 10 HC
C111	4030006860	S.CER C1608 JB 1H 102K-T
C112	4030006880	S.CER C1608 JB 1H 472K-T
C113	4030008920	S.CER C1608 JB 1H 473K-T
C114	4510006160	ELE 25 ME 10 HC
C115	4030007140	S.CER C1608 CH 1H 121J-T
C116	4030007050	S.CER C1608 CH 1H 220J-T
C117	4510005120	ELE 16 ME 47 HC
C118	4510006160	ELE 25 ME 10 HC
C119	4030011600	S.CER C1608 JB 1E 104K-T
C120	4030006880	S.CER C1608 JB 1H 472K-T
C121	4030007030	S.CER C1608 CH 1H 150J-T
C122	4030007030	S.CER C1608 CH 1H 150J-T
C123	4030007040	S.CER C1608 CH 1H 180J-T
C125	4030011280	S.CER C1608 CH 1H 271J-T
C126	4030007100	S.CER C1608 CH 1H 560J-T
C127	4030006880	S.CER C1608 JB 1H 472K-T
C128	4030010760	S.CER C1608 CH 1H 331J-T
C129	4030010760	S.CER C1608 CH 1H 331J-T
C130	4030007120	S.CER C1608 CH 1H 820J-T
C131	4030007030	S.CER C1608 CH 1H 150J-T
C132	4030007150	S.CER C1608 CH 1H 151J-T
C133	4030007010	S.CER C1608 CH 1H 100D-T
C134	4030007120	S.CER C1608 CH 1H 820J-T
C135	4030008920	S.CER C1608 JB 1H 473K-T
C136	4030007010	S.CER C1608 CH 1H 100D-T
C137	4030011600	S.CER C1608 JB 1E 104K-T
C138	4030011600	S.CER C1608 JB 1E 104K-T
C139	4030007000	S.CER C1608 CH 1H 090D-T
C140	4030008920	S.CER C1608 JB 1H 473K-T
C141	4030006880	S.CER C1608 JB 1H 472K-T
C142	4030007010	S.CER C1608 CH 1H 100D-T
C143	4030006950	S.CER C1608 CH 1H 040C-T
C144	4030007010	S.CER C1608 CH 1H 100D-T
C145	4030006880	S.CER C1608 JB 1H 472K-T
C146	4030006880	S.CER C1608 JB 1H 472K-T
C147	4030006880	S.CER C1608 JB 1H 472K-T
C148	4030006880	S.CER C1608 JB 1H 472K-T
C149	4030006880	S.CER C1608 JB 1H 472K-T
C150	4030006990	S.CER C1608 CH 1H 080D-T
C151	4030006880	S.CER C1608 JB 1H 472K-T
C152	4030006880	S.CER C1608 JB 1H 472K-T
C153	4030006930	S.CER C1608 CH 1H 020C-T
C154	4030008920	S.CER C1608 JB 1H 473K-T
C155	4030006860	S.CER C1608 JB 1H 102K-T
C156	4030006880	S.CER C1608 JB 1H 472K-T
C157	4030006880	S.CER C1608 JB 1H 472K-T
C158	4030006880	S.CER C1608 JB 1H 472K-T
C159	4030006880	S.CER C1608 JB 1H 472K-T
C160	4030008920	S.CER C1608 JB 1H 473K-T
C161	4030006850	S.CER C1608 JB 1H 471K-T
C162	4030006880	S.CER C1608 JB 1H 472K-T
C163	4030008920	S.CER C1608 JB 1H 473K-T
C164	4510008400	ELE 25 ME 22 HC
C165	4030006880	S.CER C1608 JB 1H 472K-T
C166	4510008400	ELE 25 ME 22 HC
C167	4030007010	S.CER C1608 CH 1H 100D-T
C168	4510005490	ELE 50 ME 2R2 HC
C169	4030006880	S.CER C1608 JB 1H 472K-T
C170	4030008920	S.CER C1608 JB 1H 473K-T
C171	4030006880	S.CER C1608 JB 1H 472K-T
C172	4030008930	S.CER C2012 JB 1C 563K-T
C173	4030008920	S.CER C1608 JB 1H 473K-T
C174	4030006880	S.CER C1608 JB 1H 472K-T
C175	4030006880	S.CER C1608 JB 1H 472K-T
C176	4030006880	S.CER C1608 JB 1H 472K-T
C177	4030006880	S.CER C1608 JB 1H 472K-T
C178	4030006880	S.CER C1608 JB 1H 472K-T
C179	4030006880	S.CER C1608 JB 1H 472K-T
C180	4030006880	S.CER C1608 JB 1H 472K-T
C181	4030006880	S.CER C1608 JB 1H 472K-T
C182	4030006880	S.CER C1608 JB 1H 472K-T
C183	4030007030	S.CER C1608 CH 1H 150J-T
C184	4030006990	S.CER C1608 CH 1H 080D-T
C185	4030007030	S.CER C1608 CH 1H 150J-T
C186	4030006880	S.CER C1608 JB 1H 472K-T
C187	4030006880	S.CER C1608 JB 1H 472K-T
C188	4030006880	S.CER C1608 JB 1H 472K-T
C189	4030006880	S.CER C1608 JB 1H 472K-T
C190	4030006900	S.CER C1608 JB 1H 103K-T
C191	4030006880	S.CER C1608 JB 1H 472K-T
C192	4030006880	S.CER C1608 JB 1H 472K-T
C193	4510006160	ELE 25 ME 10 HC
C194	4030006880	S.CER C1608 JB 1H 472K-T
C195	4030006900	S.CER C1608 JB 1H 103K-T
C196	4030006880	S.CER C1608 JB 1H 472K-T
C197	4030006880	S.CER C1608 JB 1H 472K-T
C198	4030006880	S.CER C1608 JB 1H 472K-T
C199	4510005120	ELE 16 ME 47 HC
C200	4030010760	S.CER C1608 CH 1H 331J-T
C201	4030006880	S.CER C1608 JB 1H 472K-T
C202	4030007170	S.CER C1608 CH 1H 221J-T
C203	4030007050	S.CER C1608 CH 1H 220J-T
C204	4030011600	S.CER C1608 JB 1E 104K-T
C205	4030011600	S.CER C1608 JB 1E 104K-T
C206	4510001910	ELE 25 MS7 10UF (5X7)
C207	4030012610	S.CER C2012 JB 1C 474K-T
C208	4030006880	S.CER C1608 JB 1H 472K-T
C209	4030011600	S.CER C1608 JB 1E 104K-T
C210	4510001910	ELE 25 MS7 10UF (5X7)
C211	4030006880	S.CER C1608 JB 1H 472K-T
C212	4030006880	S.CER C1608 JB 1H 472K-T
C213	4030011600	S.CER C1608 JB 1E 104K-T

[MAIN-J UNIT]

REF NO.	ORDER NO.	DESCRIPTION	
C214	4510001910	ELE 25 MS7 10UF (5X7)	
C215	4030011600	S.CER C1608 JB 1E 104K-T	[GEN-21]
	4030011600	S.CER C1608 JB 1E 104K-T	[GEN-22]
	4030011600	S.CER C1608 JB 1E 104K-T	[GEN-23]
	4030006880	S.CER C1608 JB 1H 472K-T	[GEN-25]
	4030011600	S.CER C1608 JB 1E 104K-T	[CHN]
	4030011600	S.CER C1608 JB 1E 104K-T	[EUR-21]
	4030011600	S.CER C1608 JB 1E 104K-T	[EUR-22]
C216	4030007050	S.CER C1608 CH 1H 220J-T	[GEN-21]
	4030007050	S.CER C1608 CH 1H 220J-T	[GEN-22]
	4030007050	S.CER C1608 CH 1H 220J-T	[GEN-23]
	4030007090	S.CER C1608 CH 1H 470J-T	[GEN-25]
	4030007050	S.CER C1608 CH 1H 220J-T	[CHN]
	4030007050	S.CER C1608 CH 1H 220J-T	[EUR-21]
	4030006880	S.CER C1608 JB 1H 472K-T	[EUR-22]
C217	4510008400	ELE 25 ME 22 HC	
C218	4030007170	S.CER C1608 CH 1H 221J-T	
C222	4030006880	S.CER C1608 JB 1H 472K-T	
C225	4510008400	ELE 25 ME 22 HC	
C226	4030006880	S.CER C1608 JB 1H 472K-T	
C228	4030006850	S.CER C1608 JB 1H 471K-T	
C229	4510006160	ELE 25 ME 10 HC	
C230	4510006160	ELE 25 ME 10 HC	
C231	4510006160	ELE 25 ME 10 HC	
C232	4030006860	S.CER C1608 JB 1H 102K-T	
C234	4510006160	ELE 25 ME 10 HC	
C235	4510006160	ELE 25 ME 10 HC	
C236	4510006160	ELE 25 ME 10 HC	
C237	4030006880	S.CER C1608 JB 1H 472K-T	
C238	4030007130	S.CER C1608 CH 1H 101J-T	
C239	4030007150	S.CER C1608 CH 1H 151J-T	
C240	4030006880	S.CER C1608 JB 1H 472K-T	
C241	4030011280	S.CER C1608 CH 1H 271J-T	
C242	4030007090	S.CER C1608 CH 1H 470J-T	
C243	4510008400	ELE 25 ME 22 HC	
C244	4030008920	S.CER C1608 JB 1H 473K-T	
C245	4510005490	ELE 50 ME 2R2 HC	
C246	4030006880	S.CER C1608 JB 1H 472K-T	
C247	4030010760	S.CER C1608 CH 1H 331J-T	
C248	4030006860	S.CER C1608 JB 1H 102K-T	
C249	4030011600	S.CER C1608 JB 1E 104K-T	
C250	4510005120	ELE 16 ME 47 HC	
C251	4510008400	ELE 25 ME 22 HC	
C252	4030008920	S.CER C1608 JB 1H 473K-T	
C253	4030014300	S.CER C1608 JB 1E 563K-T	[GEN-21]
	4030014300	S.CER C1608 JB 1E 563K-T	[GEN-22]
	4030014300	S.CER C1608 JB 1E 563K-T	[GEN-23]
	4030008930	S.CER C2012 JB 1C 563K-T	[GEN-25]
	4030014300	S.CER C1608 JB 1E 563K-T	[CHN]
	4030014300	S.CER C1608 JB 1E 563K-T	[EUR-21]
	4030014300	S.CER C1608 JB 1E 563K-T	[EUR-22]
C254	4030012610	S.CER C2012 JB 1C 474K-T	
C256	4030009980	S.CER C1608 JB 1H 152K-T	
C257	4310000610	MYL 50 F2D 472J	
C258	4510008410	ELE 25 ME 4R7 HC	
C259	4030007170	S.CER C1608 CH 1H 221J-T	
C260	4030006880	S.CER C1608 JB 1H 472K-T	
C261	4510005120	ELE 16 ME 47 HC	
C262	4310000360	MYL 50 F2D 103J	
C263	4510004990	ELE 16 ME 100 HC	
C264	4310000360	MYL 50 F2D 103J	
C265	4510004910	ELE 16 ME 10 SWN	
C266	4510008410	ELE 25 ME 4R7 HC	
C267	4510008420	ELE 50 ME R47 HC	
C268	4510005120	ELE 16 ME 47 HC	
C269	4510005490	ELE 50 ME 2R2 HC	
C270	4510008410	ELE 25 ME 4R7 HC	
C271	4030011600	S.CER C1608 JB 1E 104K-T	
C275	4510005120	ELE 16 ME 47 HC	
C276	4030006880	S.CER C1608 JB 1H 472K-T	
C277	4510008410	ELE 25 ME 4R7 HC	
C278	4510005250	ELE 50 ME 2R2 SWN	
C279	4510005250	ELE 50 ME 2R2 SWN	
C280	4510005250	ELE 50 ME 2R2 SWN	
C281	4030011600	S.CER C1608 JB 1E 104K-T	
C282	4030006880	S.CER C1608 JB 1H 472K-T	
C283	4030006900	S.CER C1608 JB 1H 103K-T	
C284	4030006900	S.CER C1608 JB 1H 103K-T	
C285	4510008420	ELE 50 ME R47 HC	
C286	4510008420	ELE 50 ME R47 HC	
C287	4510006160	ELE 25 ME 10 HC	
C288	4030006880	S.CER C1608 JB 1H 472K-T	
C289	4030006880	S.CER C1608 JB 1H 472K-T	
C290	4510006160	ELE 25 ME 10 HC	
C293	4510006160	ELE 25 ME 10 HC	
C294	4310000380	MYL 50 F2D 153J	
C295	4310000380	MYL 50 F2D 153J	
C296	4310000380	MYL 50 F2D 153J	
C297	4030008920	S.CER C1608 JB 1H 473K-T	
C298	4510006160	ELE 25 ME 10 HC	
C299	4510003790	ELE 16 ME 10 SWB	
C300	4030006880	S.CER C1608 JB 1H 472K-T	
C301	4510003790	ELE 16 ME 10 SWB	
C302	4030006880	S.CER C1608 JB 1H 472K-T	
C303	4510003850	ELE 50 ME 2R2 SWB	
C304	4510001360	ELE 16 MS5 22UF	
C305	4550007830	TAN 204M1602106M4F	
C306	4030006900	S.CER C1608 JB 1H 103K-T	
C307	4030006860	S.CER C1608 JB 1H 102K-T	
C317	4030006880	S.CER C1608 JB 1H 472K-T	
C319	4030006880	S.CER C1608 JB 1H 472K-T	
C320	4030006880	S.CER C1608 JB 1H 472K-T	
C321	4030006880	S.CER C1608 JB 1H 472K-T	
C322	4030006880	S.CER C1608 JB 1H 472K-T	

M.=Mounted side (T: Mounted on the Top side, B: Mounted on the Bottom side)
S.=Surface mount

[MAIN-J UNIT]

REF NO.	ORDER NO.	DESCRIPTION
C323	4030006880	S.CER C1608 JB 1H 472K-T
C324	4030006880	S.CER C1608 JB 1H 472K-T
C325	4030006880	S.CER C1608 JB 1H 472K-T
C326	4030006880	S.CER C1608 JB 1H 472K-T
C343	4510008410	ELE 25 ME 4R7 HC
C361	4030006880	S.CER C1608 JB 1H 472K-T
C362	4030006880	S.CER C1608 JB 1H 472K-T
C363	4030006880	S.CER C1608 JB 1H 472K-T
C364	4030006880	S.CER C1608 JB 1H 472K-T
C374	4030006880	S.CER C1608 JB 1H 472K-T
C387	4030006880	S.CER C1608 JB 1H 472K-T
C397	4030006880	S.CER C1608 JB 1H 472K-T
C398	4030006880	S.CER C1608 JB 1H 472K-T
C401	4030008920	S.CER C1608 JB 1H 473K-T
C403	4030006880	S.CER C1608 JB 1H 472K-T
C408	4030007130	S.CER C1608 CH 1H 101J-T
C409	4030006880	S.CER C1608 JB 1H 472K-T
C410	4030006880	S.CER C1608 JB 1H 472K-T
C411	4030006880	S.CER C1608 JB 1H 472K-T
C412	4030006880	S.CER C1608 JB 1H 472K-T
C413	4030006880	S.CER C1608 JB 1H 472K-T
C414	4030006880	S.CER C1608 JB 1H 472K-T
C416	4030006880	S.CER C1608 JB 1H 472K-T
C417	4030006880	S.CER C1608 JB 1H 472K-T
C418	4030006880	S.CER C1608 JB 1H 472K-T
C419	4030006880	S.CER C1608 JB 1H 472K-T
C420	4030006880	S.CER C1608 JB 1H 472K-T
C421	4030006880	S.CER C1608 JB 1H 472K-T
C434	4030006880	S.CER C1608 JB 1H 472K-T
C435	4030006880	S.CER C1608 JB 1H 472K-T
C436	4510005490	ELE 50 ME 2R2 HC
C437	4030008920	S.CER C1608 JB 1H 473K-T
C438	4030007030	S.CER C1608 CH 1H 150J-T
C439	4030007010	S.CER C1608 CH 1H 100D-T
C444	4030011600	S.CER C1608 JB 1E 104K-T
C448	4030006880	S.CER C1608 JB 1H 472K-T
C449	4510008410	ELE 25 ME 4R7 HC
C450	4030006880	S.CER C1608 JB 1H 472K-T
C451	4510008410	ELE 25 ME 4R7 HC
C452	4030006880	S.CER C1608 JB 1H 472K-T
C454	4030006880	S.CER C1608 JB 1H 472K-T
C455	4510004591	ELE 16 ME 470 HC
C456	4030007010	S.CER C1608 CH 1H 100D-T
C457	4030006920	S.CER C1608 CH 1H 010C-T
C458	4030007010	S.CER C1608 CH 1H 100D-T
C459	4030006970	S.CER C1608 CH 1H 060D-T
C460	4030006920	S.CER C1608 CH 1H 010C-T
C461	4030006860	S.CER C1608 JB 1H 102K-T
C462	4030006880	S.CER C1608 JB 1H 472K-T
C463	4030006860	S.CER C1608 JB 1H 102K-T
C464	4030006880	S.CER C1608 JB 1H 472K-T
C501	4030011600	S.CER C1608 JB 1E 104K-T
C502	4510004471	ELE FYLOH 473ZF
C503	4510006160	ELE 25 ME 10 HC
C504	4510003820	ELE 50 ME R22 SWB
C507	4030011600	S.CER C1608 JB 1E 104K-T
C508	4030011600	S.CER C1608 JB 1E 104K-T
C509	4030007020	S.CER C1608 CH 1H 120J-T
C510	4030007020	S.CER C1608 CH 1H 120J-T
C511	4030006880	S.CER C1608 JB 1H 472K-T
C512	4030006880	S.CER C1608 JB 1H 472K-T
C513	4030006880	S.CER C1608 JB 1H 472K-T
C514	4030006880	S.CER C1608 JB 1H 472K-T
C515	4030006880	S.CER C1608 JB 1H 472K-T
C516	4030006880	S.CER C1608 JB 1H 472K-T
C517	4030006880	S.CER C1608 JB 1H 472K-T
C518	4030006880	S.CER C1608 JB 1H 472K-T
C519	4030006880	S.CER C1608 JB 1H 472K-T
C520	4030006880	S.CER C1608 JB 1H 472K-T
C521	4030006880	S.CER C1608 JB 1H 472K-T
C522	4030006880	S.CER C1608 JB 1H 472K-T
C523	4030006880	S.CER C1608 JB 1H 472K-T
C524	4030006880	S.CER C1608 JB 1H 472K-T
C525	4030006880	S.CER C1608 JB 1H 472K-T
C526	4030006880	S.CER C1608 JB 1H 472K-T
C527	4030006880	S.CER C1608 JB 1H 472K-T
C528	4030006880	S.CER C1608 JB 1H 472K-T
C531	4030006880	S.CER C1608 JB 1H 472K-T
C532	4030006880	S.CER C1608 JB 1H 472K-T
C533	4030006880	S.CER C1608 JB 1H 472K-T
C534	4030006880	S.CER C1608 JB 1H 472K-T
C535	4030006880	S.CER C1608 JB 1H 472K-T
C538	4030006880	S.CER C1608 JB 1H 472K-T
C539	4030006880	S.CER C1608 JB 1H 472K-T
C542	4030006880	S.CER C1608 JB 1H 472K-T
C543	4030006880	S.CER C1608 JB 1H 472K-T
C544	4030006880	S.CER C1608 JB 1H 472K-T
C546	4030006880	S.CER C1608 JB 1H 472K-T
C547	4030006880	S.CER C1608 JB 1H 472K-T
C548	4030006880	S.CER C1608 JB 1H 472K-T
C550	4030006880	S.CER C1608 JB 1H 472K-T
C551	4030006880	S.CER C1608 JB 1H 472K-T
C555	4030006880	S.CER C1608 JB 1H 472K-T
C558	4510005120	ELE 16 ME 47 HC
C559	4030006880	S.CER C1608 JB 1H 472K-T
C560	4030006880	S.CER C1608 JB 1H 472K-T
C561	4030007130	S.CER C1608 CH 1H 101J-T
C562	4030008920	S.CER C1608 JB 1H 473K-T
C564	4030006880	S.CER C1608 JB 1H 472K-T
C565	4030006880	S.CER C1608 JB 1H 472K-T
C568	4030006880	S.CER C1608 JB 1H 472K-T
C569	4030006880	S.CER C1608 JB 1H 472K-T
C571	4030008920	S.CER C1608 JB 1H 473K-T
C572	4030008920	S.CER C1608 JB 1H 473K-T

[MAIN-J UNIT]

REF NO.	ORDER NO.	DESCRIPTION
C573	4030008920	S.CER C1608 JB 1H 473K-T
C574	4030007130	S.CER C1608 CH 1H 101J-T
C581	4030006880	S.CER C1608 JB 1H 472K-T
C582	4030006880	S.CER C1608 JB 1H 472K-T
C583	4030006860	S.CER C1608 JB 1H 102K-T
C584	4030006880	S.CER C1608 JB 1H 472K-T
C585	4030011600	S.CER C1608 JB 1E 104K-T
C593	4030011600	S.CER C1608 JB 1E 104K-T
C594	4030011600	S.CER C1608 JB 1E 104K-T
C595	4030011600	S.CER C1608 JB 1E 104K-T
C597	4030006880	S.CER C1608 JB 1H 472K-T
C598	4510008420	ELE 50 ME R47 HC
C599	4510005000	ELE 16 ME 220 HC
C600	4510004910	ELE 16 ME 10 SWN
C601	4510004910	ELE 16 ME 10 SWN
C602	4030011600	S.CER C1608 JB 1E 104K-T
	4030011600	S.CER C1608 JB 1E 104K-T
C603	4030011600	S.CER C1608 JB 1E 104K-T
	4030011600	S.CER C1608 JB 1E 104K-T
C604	4030011600	S.CER C1608 JB 1E 104K-T
	4030011600	S.CER C1608 JB 1E 104K-T
C605	4510008400	ELE 25 ME 22 HC
	4510008400	ELE 25 ME 22 HC
C606	4030011600	S.CER C1608 JB 1E 104K-T
	4030011600	S.CER C1608 JB 1E 104K-T
C607	4030011600	S.CER C1608 JB 1E 104K-T
	4030011600	S.CER C1608 JB 1E 104K-T
C608	4030011600	S.CER C1608 JB 1E 104K-T
C609	4510008400	ELE 25 ME 22 HC
C610	4030011600	S.CER C1608 JB 1E 104K-T
C611	4030011600	S.CER C1608 JB 1E 104K-T
	4030011600	S.CER C1608 JB 1E 104K-T
C614	4510005210	ELE 50 ME 1 SWN
C616	4030006880	S.CER C1608 JB 1H 472K-T
	4030006880	S.CER C1608 JB 1H 472K-T
C618	4030007030	S.CER C1608 CH 1H 150J-T
C620	4030006920	S.CER C1608 CH 1H 010C-T
C622	4030006850	S.CER C1608 JB 1H 471K-T
C623	4030009980	S.CER C1608 JB 1H 152K-T
C624	4030007140	S.CER C1608 CH 1H 121J-T
C625	4030006870	S.CER C1608 JB 1H 222K-T
C627	4030011280	S.CER C1608 CH 1H 271J-T
C628	4030007030	S.CER C1608 CH 1H 150J-T
C629	4030008850	S.CER C1608 JB 1H 123K-T
C631	4510008410	ELE 25 ME 4R7 HC
C632	4510006160	ELE 25 ME 10 HC
C633	4030008920	S.CER C1608 JB 1H 473K-T
C634	4030008920	S.CER C1608 JB 1H 473K-T
C635	4510003790	ELE 16 ME 10 SWB
C637	4030006860	S.CER C1608 JB 1H 102K-T
C639	4030009980	S.CER C1608 JB 1H 152K-T
C640	4030006880	S.CER C1608 JB 1H 472K-T
C641	4030006880	S.CER C1608 JB 1H 472K-T
C642	4030006880	S.CER C1608 JB 1H 472K-T
C643	4030006880	S.CER C1608 JB 1H 472K-T
C644	4030006880	S.CER C1608 JB 1H 472K-T
C645	4030006880	S.CER C1608 JB 1H 472K-T
C646	4030006860	S.CER C1608 JB 1H 102K-T
C647	4030006850	S.CER C1608 JB 1H 471K-T
C648	4030006880	S.CER C1608 JB 1H 472K-T
C649	4030011600	S.CER C1608 JB 1E 104K-T
C650	4030008920	S.CER C1608 JB 1H 473K-T
C651	4030007050	S.CER C1608 CH 1H 220J-T
C652	4030011600	S.CER C1608 JB 1E 104K-T
C653	4030011600	S.CER C1608 JB 1E 104K-T
C654	4030006880	S.CER C1608 JB 1H 472K-T
C655	4030011600	S.CER C1608 JB 1E 104K-T
C656	4030011600	S.CER C1608 JB 1E 104K-T
C657	4030011600	S.CER C1608 JB 1E 104K-T
C658	4030011600	S.CER C1608 JB 1E 104K-T
C659	4030011600	S.CER C1608 JB 1E 104K-T
C660	4030011600	S.CER C1608 JB 1E 104K-T
C661	4030011600	S.CER C1608 JB 1E 104K-T
C662	4030011600	S.CER C1608 JB 1E 104K-T
C663	4030007050	S.CER C1608 CH 1H 220J-T
C664	4030006880	S.CER C1608 JB 1H 472K-T
C665	4030006880	S.CER C1608 JB 1H 472K-T
C666	4030006880	S.CER C1608 JB 1H 472K-T
C667	4030006880	S.CER C1608 JB 1H 472K-T
C668	4030006880	S.CER C1608 JB 1H 472K-T
C669	4030006880	S.CER C1608 JB 1H 472K-T
C670	4510005150	ELE 50 ME 10 HC
C671	4510004990	ELE 16 ME 100 HC
C672	4510004990	ELE 16 ME 100 HC
C673	4510004990	ELE 16 ME 100 HC
C674	4510003840	ELE 50 ME 1 SWB
C675	4030006880	S.CER C1608 JB 1H 472K-T
	4030006880	S.CER C1608 JB 1H 472K-T
C676	4030006880	S.CER C1608 JB 1H 472K-T
	4030006880	S.CER C1608 JB 1H 472K-T
C677	4030006880	S.CER C1608 JB 1H 472K-T
	4030006880	S.CER C1608 JB 1H 472K-T
C678	4030006880	S.CER C1608 JB 1H 472K-T
	4030006880	S.CER C1608 JB 1H 472K-T
C679	4030006880	S.CER C1608 JB 1H 472K-T
	4030006880	S.CER C1608 JB 1H 472K-T
C680	4030006880	S.CER C1608 JB 1H 472K-T
C681	4030006880	S.CER C1608 JB 1H 472K-T
C682	4030011600	S.CER C1608 JB 1E 104K-T
C683	4510004910	ELE 16 ME 10 SWN
C684	4510008420	ELE 50 ME R47 HC

[GEN-23]

[EUR-22]

[GEN-23]

[EUR-22]

[GEN-23]

[EUR-22]

[GEN-23]

[EUR-22]

[GEN-23]

[EUR-22]

[GEN-23]

[EUR-22]

[GEN-23]

[EUR-22]

[GEN-23]

[EUR-22]

[GEN-23]

[EUR-22]

[GEN-23]

[EUR-22]

[GEN-23]

[EUR-22]

[GEN-23]

[EUR-22]

[GEN-23]

[EUR-22]

[GEN-23]

[EUR-22]

[GEN-23]

[EUR-22]

[GEN-23]

[EUR-22]

[GEN-23]

[EUR-22]

[GEN-23]

[EUR-22]

[GEN-23]

[EUR-22]

[GEN-23]

[EUR-22]

[GEN-23]

[EUR-22]

[GEN-23]

[EUR-22]

[GEN-23]

[EUR-22]

[GEN-23]

[EUR-22]

[GEN-23]

[EUR-22]

M.=Mounted side (T: Mounted on the Top side, B:

[MAIN-J UNIT]

REF NO.	ORDER NO.	DESCRIPTION			
C685	4030011600	S.CER	C1608 JB 1E 104K-T	[GEN-21]	
	4030011600	S.CER	C1608 JB 1E 104K-T	[GEN-22]	
	4030011600	S.CER	C1608 JB 1E 104K-T	[GEN-23]	
	4030011600	S.CER	C1608 JB 1E 104K-T	[CHN]	
	4030011600	S.CER	C1608 JB 1E 104K-T	[EUR-21]	
	4030011600	S.CER	C1608 JB 1E 104K-T	[EUR-22]	
	C686	4510001910	ELE	25 MS7 10UF (5X7)	[GEN-21]
		4510001910	ELE	25 MS7 10UF (5X7)	[GEN-22]
		4510001910	ELE	25 MS7 10UF (5X7)	[GEN-23]
		4510001910	ELE	25 MS7 10UF (5X7)	[CHN]
		4510001910	ELE	25 MS7 10UF (5X7)	[EUR-21]
	C687	4510001910	ELE	25 MS7 10UF (5X7)	[EUR-22]
		4510001910	ELE	25 MS7 10UF (5X7)	[GEN-21]
		4510001910	ELE	25 MS7 10UF (5X7)	[GEN-22]
		4510001910	ELE	25 MS7 10UF (5X7)	[GEN-23]
		4510001910	ELE	25 MS7 10UF (5X7)	[CHN]
	C688	4510001910	ELE	25 MS7 10UF (5X7)	[EUR-21]
		4510001910	ELE	25 MS7 10UF (5X7)	[EUR-22]
		4510001910	ELE	25 MS7 10UF (5X7)	[GEN-21]
		4510001910	ELE	25 MS7 10UF (5X7)	[GEN-22]
4510001910		ELE	25 MS7 10UF (5X7)	[GEN-23]	
C690	4510001910	ELE	25 MS7 10UF (5X7)	[CHN]	
	4510001910	ELE	25 MS7 10UF (5X7)	[EUR-21]	
	4510001910	ELE	25 MS7 10UF (5X7)	[EUR-22]	
	4030011600	S.CER	C1608 JB 1E 104K-T		
	4030011600	S.CER	C1608 JB 1E 104K-T	[GEN-21]	
C708	4030011600	S.CER	C1608 JB 1E 104K-T	[GEN-22]	
	4030011600	S.CER	C1608 JB 1E 104K-T	[GEN-23]	
	4030011600	S.CER	C1608 JB 1E 104K-T	[CHN]	
	4030011600	S.CER	C1608 JB 1E 104K-T	[EUR-21]	
	4030011600	S.CER	C1608 JB 1E 104K-T	[EUR-22]	
C711	4030011600	S.CER	C1608 JB 1E 104K-T	[GEN-21]	
	4030011600	S.CER	C1608 JB 1E 104K-T	[GEN-22]	
	4030011600	S.CER	C1608 JB 1E 104K-T	[GEN-23]	
	4030011600	S.CER	C1608 JB 1E 104K-T	[CHN]	
	4030011600	S.CER	C1608 JB 1E 104K-T	[EUR-21]	
C712	4030011600	S.CER	C1608 JB 1E 104K-T	[EUR-22]	
	4030011600	S.CER	C1608 JB 1E 104K-T		
	4030006880	S.CER	C1608 JB 1H 472K-T		
C717	4030011600	S.CER	C1608 JB 1E 104K-T		
C718	4030011600	S.CER	C1608 JB 1E 104K-T		
C901	4510001360	ELE	16 MS5 22UF	[EUR-21] only	
C1051	4030006880	S.CER	C1608 JB 1H 472K-T		
RL2	6330001320	REL	AHY103		
J1	6510017150	CON	TMP-S01X-C1		
J2	6510017150	CON	TMP-S01X-C1		
J3	6510007020	CON	TMP-J01X-V6		
J4	6510007020	CON	TMP-J01X-V6		
J5	6510007020	CON	TMP-J01X-V6		
J6	6510026710	CON	JY-6316*01-040		
J7	6450001440	CON	HSJ1403-01-010		
J9	6510017660	CON	52045-1645		
J11	6510023120	CON	CD6109SA1J0 <CVI>		
J12	6450001581	CON	TCS5073-2841577	[GEN-21]	
	6450001581	CON	TCS5073-2841577	[GEN-22]	
	6450001581	CON	TCS5073-2841577	[GEN-25]	
	6450001581	CON	TCS5073-2841577	[CHN]	
	6450001581	CON	TCS5073-2841577	[EUR-21]	
J13	6510024541	CON	TCS5073-2741577		
J15	6510003401	CON	B04B-EH-S(LF)(SN)		
J16	6510003431	CON	B07B-EH-S(LF)(SN)		
J19	6510017660	CON	52045-1645		
J20	6510003391	CON	B03B-EH-S(LF)(SN)		
J22	6510017650	CON	52045-1045		
J23	6510003401	CON	B04B-EH-S(LF)(SN)		
J29	6510018150	S.CON	4-175638-0		
J30	6510017950	S.CON	4-175638-4		
J31	6510023120	CON	CD6109SA1J0 <CVI>	[GEN-23]	
	6510023120	CON	CD6109SA1J0 <CVI>	[EUR-22]	
J32	6510010021	CON	RTB-1.5-2F(LF)		
J33	6450001560	CON	PD-72	[GEN-21]	
	6450001560	CON	PD-72	[GEN-22]	
	6450001560	CON	PD-72	[GEN-25]	
	6450001560	CON	PD-72	[CHN]	
	6450001560	CON	PD-72	[EUR-21]	
S9	2220000760	SWI	MHS121		
S11	2220000760	SWI	MHS121		
T1	5920000570	TRA	12T01	[GEN-23]	
	5920000570	TRA	12T01	[EUR-22]	
T2	5920000570	TRA	12T01	[GEN-23]	
	5920000570	TRA	12T01	[EUR-22]	
T3	5920000570	TRA	12T01	[GEN-23]	
	5920000570	TRA	12T01	[EUR-22]	
T4	5920000570	TRA	12T01	[GEN-23]	
	5920000570	TRA	12T01	[EUR-22]	
W1	7030012290	JUM	RDS2T0R0		
	7030012290	JUM	RDS2T0R0	[GEN-21]	
	7030012290	JUM	RDS2T0R0	[GEN-22]	
	7030012290	JUM	RDS2T0R0	[GEN-25]	
	7030012290	JUM	RDS2T0R0	[CHN]	
W11	7030012290	JUM	RDS2T0R0	[EUR-21]	

[MAIN-J UNIT]

REF NO.	ORDER NO.	DESCRIPTION		
W13	7030012290	JUM	RDS2T0R0	[GEN-21]
	7030012290	JUM	RDS2T0R0	[GEN-22]
	7030012290	JUM	RDS2T0R0	[GEN-25]
	7030012290	JUM	RDS2T0R0	[CHN]
	7030012290	JUM	RDS2T0R0	[EUR-21]

M.=Mounted side (T: Mounted on the Top side, B: Mounted on the Bottom side)
S.=Surface mount

[PLL UNIT]

REF NO.	ORDER NO.	DESCRIPTION	
WS1	8970022071	SX1632 1.5D-1 (3)/PL	[GEN-1]
	8970022071	SX1632 1.5D-1 (3)/PL	[GEN-2]
	8970022071	SX1632 1.5D-1 (3)/PL	[GEN-4]
	8970022071	SX1632 1.5D-1 (3)/PL	[GEN-5]
	8970022071	SX1632 1.5D-1 (3)/PL	[KOR]
	8970022071	SX1632 1.5D-1 (3)/PL	[EUR-1]
	8970022071	SX1632 1.5D-1 (3)/PL	[GEN-21]
	8970022071	SX1632 1.5D-1 (3)/PL	[GEN-22]
	8970022071	SX1632 1.5D-1 (3)/PL	[GEN-25]
	8970022071	SX1632 1.5D-1 (3)/PL	[CHN]
8970022071	SX1632 1.5D-1 (3)/PL	[EUR-21]	
IC3001	1140003641	S.IC SC-1246 (L7B1106)	[GEN-1]
	1140007880	S.IC TC190G08AF0046Z/SC1246A2	[GEN-1]
	1140007880	S.IC TC190G08AF0046Z/SC1246A2	[GEN-2]
	1140007880	S.IC TC190G08AF0046Z/SC1246A2	[GEN-4]
	1140007880	S.IC TC190G08AF0046Z/SC1246A2	[GEN-5]
	1140007880	S.IC TC190G08AF0046Z/SC1246A2	[KOR]
	1140007880	S.IC TC190G08AF0046Z/SC1246A2	[EUR-1]
	1140007881	S.IC TC190G08EFG0046JDZ/SC1246A	[GEN-21]
	1140007881	S.IC TC190G08EFG0046JDZ/SC1246A	[GEN-22]
	1140007881	S.IC TC190G08EFG0046JDZ/SC1246A	[GEN-25]
	1140007881	S.IC TC190G08EFG0046JDZ/SC1246A	[CHN]
	1140007881	S.IC TC190G08EFG0046JDZ/SC1246A	[EUR-21]
	1140004550	S.IC M65343FP/SC1287	[GEN-1]
	1140004550	S.IC M65343FP/SC1287	[GEN-2]
	1140004550	S.IC M65343FP/SC1287	[GEN-4]
1140004550	S.IC M65343FP/SC1287	[GEN-5]	
1140004550	S.IC M65343FP/SC1287	[KOR]	
1140004550	S.IC M65343FP/SC1287	[EUR-1]	
1140014960	S.IC TC190G02EFG-0058/SC1287A	[GEN-21]	
1140014960	S.IC TC190G02EFG-0058/SC1287A	[GEN-22]	
1140014960	S.IC TC190G02EFG-0058/SC1287A	[GEN-25]	
1140014960	S.IC TC190G02EFG-0058/SC1287A	[CHN]	
1140014960	S.IC TC190G02EFG-0058/SC1287A	[EUR-21]	
IC3003	1180001070	S.IC TA7805F(TE16L)	[GEN-1]
	1180001070	S.IC TA7805F(TE16L)	[GEN-2]
	1180001070	S.IC TA7805F(TE16L)	[GEN-4]
	1180001070	S.IC TA7805F(TE16L)	[GEN-5]
	1180001070	S.IC TA7805F(TE16L)	[KOR]
	1180001070	S.IC TA7805F(TE16L)	[EUR-1]
	1180001071	S.IC TA7805F(TE16L,Q)	[GEN-21]
	1180001071	S.IC TA7805F(TE16L,Q)	[GEN-22]
	1180001070	S.IC TA7805F(TE16L)	[GEN-25]
	1180001071	S.IC TA7805F(TE16L,Q)	[CHN]
IC3004	1130004830	S.IC TC7SU04F (TE85R)	[GEN-1]
	1130004830	S.IC TC7SU04F (TE85R)	[GEN-2]
	1130004830	S.IC TC7SU04F (TE85R)	[GEN-4]
	1130004830	S.IC TC7SU04F (TE85R)	[GEN-5]
	1130004830	S.IC TC7SU04F (TE85R)	[KOR]
	1130004830	S.IC TC7SU04F (TE85R)	[EUR-1]
	1130004831	S.IC TC7SU04F(TE85R,F)	[GEN-21]
	1130004831	S.IC TC7SU04F(TE85R,F)	[GEN-22]
	1130004830	S.IC TC7SU04F (TE85R)	[GEN-25]
	1130004831	S.IC TC7SU04F(TE85R,F)	[CHN]
IC3005	1130007660	S.IC LC7153M-TLM	[GEN-1]
	1130007660	S.IC LC7153M-TLM	[GEN-2]
	1130007660	S.IC LC7153M-TLM	[GEN-4]
	1130007660	S.IC LC7153M-TLM	[GEN-5]
	1130007660	S.IC LC7153M-TLM	[KOR]
	1130007660	S.IC LC7153M-TLM	[EUR-1]
	1130007660	S.IC LC7153M-TLM	[GEN-21]
	1130007660	S.IC LC7153M-TLM	[GEN-22]
	1130007661	S.IC LC7153M-TLM-E	[GEN-25]
	1130007660	S.IC LC7153M-TLM	[CHN]
IC3006	1130004830	S.IC TC7SU04F (TE85R)	[GEN-1]
	1130004830	S.IC TC7SU04F (TE85R)	[GEN-2]
	1130004830	S.IC TC7SU04F (TE85R)	[GEN-4]
	1130004830	S.IC TC7SU04F (TE85R)	[GEN-5]
	1130004830	S.IC TC7SU04F (TE85R)	[KOR]
	1130004830	S.IC TC7SU04F (TE85R)	[EUR-1]
	1130004831	S.IC TC7SU04F(TE85R,F)	[GEN-21]
	1130004831	S.IC TC7SU04F(TE85R,F)	[GEN-22]
	1130004830	S.IC TC7SU04F (TE85R)	[GEN-25]
	1130004831	S.IC TC7SU04F(TE85R,F)	[CHN]
IC3008	1130004830	S.IC TC7SU04F (TE85R)	[GEN-1]
	1130004830	S.IC TC7SU04F (TE85R)	[GEN-2]
	1130004830	S.IC TC7SU04F (TE85R)	[GEN-4]
	1130004830	S.IC TC7SU04F (TE85R)	[GEN-5]
	1130004830	S.IC TC7SU04F (TE85R)	[KOR]
	1130004830	S.IC TC7SU04F (TE85R)	[EUR-1]
	1130004831	S.IC TC7SU04F(TE85R,F)	[GEN-21]
	1130004831	S.IC TC7SU04F(TE85R,F)	[GEN-22]
	1130004830	S.IC TC7SU04F (TE85R)	[GEN-25]
	1130004831	S.IC TC7SU04F(TE85R,F)	[CHN]
Q3001	1530002600	S.TRA 2SC4215-O (TE85R)	[GEN-1]
	1530002600	S.TRA 2SC4215-O (TE85R)	[GEN-2]
	1530002600	S.TRA 2SC4215-O (TE85R)	[GEN-4]
	1530002600	S.TRA 2SC4215-O (TE85R)	[GEN-5]
	1530002600	S.TRA 2SC4215-O (TE85R)	[KOR]
	1530002600	S.TRA 2SC4215-O (TE85R)	[EUR-1]
	1530002601	S.TRA 2SC4215-O(TE85R,F)	[GEN-21]
	1530002601	S.TRA 2SC4215-O(TE85R,F)	[GEN-22]
	1530002600	S.TRA 2SC4215-O (TE85R)	[GEN-25]
	1530002601	S.TRA 2SC4215-O(TE85R,F)	[CHN]
1530002601	S.TRA 2SC4215-O(TE85R,F)	[EUR-21]	

[PLL UNIT]

REF NO.	ORDER NO.	DESCRIPTION	
Q3002	1530002600	S.TRA 2SC4215-O (TE85R)	[GEN-1]
	1530002600	S.TRA 2SC4215-O (TE85R)	[GEN-2]
	1530002600	S.TRA 2SC4215-O (TE85R)	[GEN-4]
	1530002600	S.TRA 2SC4215-O (TE85R)	[GEN-5]
	1530002600	S.TRA 2SC4215-O (TE85R)	[KOR]
	1530002600	S.TRA 2SC4215-O (TE85R)	[EUR-1]
	1530002601	S.TRA 2SC4215-O(TE85R,F)	[GEN-21]
	1530002601	S.TRA 2SC4215-O(TE85R,F)	[GEN-22]
	1530002600	S.TRA 2SC4215-O (TE85R)	[GEN-25]
	1530002601	S.TRA 2SC4215-O(TE85R,F)	[CHN]
Q3003	1530002601	S.TRA 2SC4215-O(TE85R,F)	[EUR-21]
	1560000720	S.FET 2SK2171-4-TD	[GEN-1]
	1560000720	S.FET 2SK2171-4-TD	[GEN-2]
	1560000720	S.FET 2SK2171-4-TD	[GEN-4]
	1560000720	S.FET 2SK2171-4-TD	[GEN-5]
	1560000721	S.FET 2SK2171-4-TD-E	[EUR-1]
	1560000721	S.FET 2SK2171-4-TD-E	[GEN-21]
	1560000721	S.FET 2SK2171-4-TD-E	[GEN-22]
	1560000721	S.FET 2SK2171-4-TD-E	[GEN-25]
	1560000721	S.FET 2SK2171-4-TD-E	[CHN]
Q3004	1530002600	S.TRA 2SC4215-O (TE85R)	[GEN-1]
	1530002600	S.TRA 2SC4215-O (TE85R)	[GEN-2]
	1530002600	S.TRA 2SC4215-O (TE85R)	[GEN-4]
	1530002600	S.TRA 2SC4215-O (TE85R)	[GEN-5]
	1530002601	S.TRA 2SC4215-O(TE85R,F)	[EUR-1]
	1530002601	S.TRA 2SC4215-O(TE85R,F)	[GEN-21]
	1530002601	S.TRA 2SC4215-O(TE85R,F)	[GEN-22]
	1530002600	S.TRA 2SC4215-O (TE85R)	[GEN-25]
	1560000330	S.FET 2SK210-GR (TE85R)	[EUR-21]
	1560000330	S.FET 2SK210-GR (TE85R)	[GEN-1]
Q3005	1560000330	S.FET 2SK210-GR (TE85R)	[GEN-2]
	1560000330	S.FET 2SK210-GR (TE85R)	[GEN-4]
	1560000330	S.FET 2SK210-GR (TE85R)	[GEN-5]
	1560000330	S.FET 2SK210-GR (TE85R)	[KOR]
	1560000330	S.FET 2SK210-GR (TE85R)	[EUR-1]
	1560000331	S.FET 2SK210-GR(TE85R,F)	[GEN-21]
	1560000331	S.FET 2SK210-GR(TE85R,F)	[GEN-22]
	1560000331	S.FET 2SK210-GR(TE85R,F)	[GEN-25]
	1560000331	S.FET 2SK210-GR(TE85R,F)	[CHN]
	1560000331	S.FET 2SK210-GR(TE85R,F)	[EUR-21]
Q3006	1530002690	S.TRA 2SC4116-GR (TE85R)	[GEN-1]
	1530002690	S.TRA 2SC4116-GR (TE85R)	[GEN-2]
	1530002690	S.TRA 2SC4116-GR (TE85R)	[GEN-4]
	1530002691	S.TRA 2SC4116-GR(TE85R,F)	[GEN-5]
	1530002691	S.TRA 2SC4116-GR(TE85R,F)	[EUR-1]
	1530002691	S.TRA 2SC4116-GR(TE85R,F)	[GEN-21]
	1530002691	S.TRA 2SC4116-GR(TE85R,F)	[GEN-22]
	1530002690	S.TRA 2SC4116-GR (TE85R)	[GEN-25]
	1530002691	S.TRA 2SC4116-GR(TE85R,F)	[CHN]
	1530002691	S.TRA 2SC4116-GR(TE85R,F)	[EUR-21]
Q3007	1530002600	S.TRA 2SC4215-O (TE85R)	[GEN-1]
	1530002600	S.TRA 2SC4215-O (TE85R)	[GEN-2]
	1530002600	S.TRA 2SC4215-O (TE85R)	[GEN-4]
	1530002601	S.TRA 2SC4215-O(TE85R,F)	[GEN-5]
	1530002601	S.TRA 2SC4215-O(TE85R,F)	[EUR-1]
	1530002601	S.TRA 2SC4215-O(TE85R,F)	[GEN-21]
	1530002601	S.TRA 2SC4215-O(TE85R,F)	[GEN-22]
	1530002600	S.TRA 2SC4215-O (TE85R)	[GEN-25]
	1530002601	S.TRA 2SC4215-O(TE85R,F)	[CHN]
	1530002601	S.TRA 2SC4215-O(TE85R,F)	[EUR-21]
Q3008	1530002600	S.TRA 2SC4215-O (TE85R)	[GEN-1]
	1530002600	S.TRA 2SC4215-O (TE85R)	[GEN-2]
	1530002600	S.TRA 2SC4215-O (TE85R)	[GEN-4]
	1530002600	S.TRA 2SC4215-O (TE85R)	[GEN-5]
	1530002601	S.TRA 2SC4215-O(TE85R,F)	[EUR-1]
	1530002601	S.TRA 2SC4215-O(TE85R,F)	[GEN-21]
	1530002601	S.TRA 2SC4215-O(TE85R,F)	[GEN-22]
	1530002600	S.TRA 2SC4215-O (TE85R)	[GEN-25]
	1530002601	S.TRA 2SC4215-O(TE85R,F)	[CHN]
	1530002601	S.TRA 2SC4215-O(TE85R,F)	[EUR-21]
Q3009	1530002690	S.TRA 2SC4116-GR (TE85R)	[EUR-1] only
	1530002690	S.TRA 2SC4116-GR (TE85R)	[GEN-1]
	1530002690	S.TRA 2SC4116-GR (TE85R)	[GEN-2]
	1530002690	S.TRA 2SC4116-GR (TE85R)	[GEN-4]
	1530002690	S.TRA 2SC4116-GR (TE85R)	[GEN-5]
	1530002690	S.TRA 2SC4116-GR (TE85R)	[KOR]
	1530002690	S.TRA 2SC4116-GR (TE85R)	[EUR-1]
	1530002691	S.TRA 2SC4116-GR(TE85R,F)	[GEN-21]
	1530002691	S.TRA 2SC4116-GR(TE85R,F)	[GEN-22]
	1530002691	S.TRA 2SC4116-GR(TE85R,F)	[GEN-25]
Q3010	1530002691	S.TRA 2SC4116-GR(TE85R,F)	[CHN]
	1530002691	S.TRA 2SC4116-GR(TE85R,F)	[EUR-21]
	1530002690	S.TRA 2SC4116-GR (TE85R)	[GEN-1]
	1530002690	S.TRA 2SC4116-GR (TE85R)	[GEN-2]
	1530002690	S.TRA 2SC4116-GR (TE85R)	[GEN-4]
	1530002690	S.TRA 2SC4116-GR (TE85R)	[GEN-5]
	1530002690	S.TRA 2SC4116-GR (TE85R)	[KOR]
	1530002690	S.TRA 2SC4116-GR (TE85R)	[EUR-1]
	1530002691	S.TRA 2SC4116-GR(TE85R,F)	[GEN-21]
	1530002691	S.TRA 2SC4116-GR(TE85R,F)	[GEN-22]
Q3011	1530002691	S.TRA 2SC4116-GR(TE85R,F)	[GEN-25]
	1530002691	S.TRA 2SC4116-GR(TE85R,F)	[CHN]
	1530002691	S.TRA 2SC4116-GR(TE85R,F)	[EUR-21]
	1530002600	S.TRA 2SC4215-O (TE85R)	[GEN-1]
	1530002600	S.TRA 2SC4215-O (TE85R)	[GEN-2]
	1530002600	S.TRA 2SC4215-O (TE85R)	[GEN-4]
	1530002600	S.TRA 2SC4215-O (TE85R)	[GEN-5]
	1530002601	S.TRA 2SC4215-O(TE85R,F)	[EUR-1]
	1530002601	S.TRA 2SC4215-O(TE85R,F)	[GEN-21]
	1530002601	S.TRA 2SC4215-O(TE85R,F)	[GEN-22]

M.=Mounted side (T: Mounted on the Top side, B: Mounted on the Bottom side)
S.=Surface mount

[PLL UNIT]

REF NO.	ORDER NO.	DESCRIPTION		
Q3021	1530002600	S.TRA 2SC4215-O (TE85R)	[GEN-1]	
	1530002600	S.TRA 2SC4215-O (TE85R)	[GEN-2]	
	1530002600	S.TRA 2SC4215-O (TE85R)	[GEN-4]	
	1530002600	S.TRA 2SC4215-O (TE85R)	[GEN-5]	
	1530002600	S.TRA 2SC4215-O (TE85R)	[KOR]	
	1530002600	S.TRA 2SC4215-O (TE85R)	[EUR-1]	
	1530002601	S.TRA 2SC4215-O(TE85R,F)	[GEN-21]	
	1530002601	S.TRA 2SC4215-O(TE85R,F)	[GEN-22]	
	1530002600	S.TRA 2SC4215-O (TE85R)	[GEN-25]	
	1530002601	S.TRA 2SC4215-O(TE85R,F)	[CHN]	
	1530002601	S.TRA 2SC4215-O(TE85R,F)	[EUR-21]	
	Q3022	1590001330	S.TRA DTA114EUA T106	[GEN-1]
		1590001330	S.TRA DTA114EUA T106	[GEN-2]
		1590001330	S.TRA DTA114EUA T106	[GEN-4]
		1590001330	S.TRA DTA114EUA T106	[GEN-5]
1590001330		S.TRA DTA114EUA T106	[KOR]	
1590001330		S.TRA DTA114EUA T106	[EUR-1]	
1590001330		S.TRA DTA114EUA T106	[GEN-21]	
1590001330		S.TRA DTA114EUA T106	[GEN-22]	
1590001330		S.TRA DTA114EUA T106	[GEN-25]	
1590001330		S.TRA DTA114EUA T106	[CHN]	
1590001330		S.TRA DTA114EUA T106	[EUR-21]	
Q3024		1530002600	S.TRA 2SC4215-O (TE85R)	[GEN-1]
		1530002600	S.TRA 2SC4215-O (TE85R)	[GEN-2]
		1530002600	S.TRA 2SC4215-O (TE85R)	[GEN-4]
		1530002600	S.TRA 2SC4215-O (TE85R)	[GEN-5]
	1530002600	S.TRA 2SC4215-O (TE85R)	[KOR]	
	1530002600	S.TRA 2SC4215-O (TE85R)	[EUR-1]	
	1530002601	S.TRA 2SC4215-O(TE85R,F)	[GEN-21]	
	1530002601	S.TRA 2SC4215-O(TE85R,F)	[GEN-22]	
	1530002600	S.TRA 2SC4215-O (TE85R)	[GEN-25]	
	1530002601	S.TRA 2SC4215-O(TE85R,F)	[CHN]	
	1530002601	S.TRA 2SC4215-O(TE85R,F)	[EUR-21]	
	Q3025	1530002690	S.TRA 2SC4116-GR (TE85R)	[GEN-1]
		1530002690	S.TRA 2SC4116-GR (TE85R)	[GEN-2]
		1530002690	S.TRA 2SC4116-GR (TE85R)	[GEN-4]
		1530002690	S.TRA 2SC4116-GR (TE85R)	[GEN-5]
1530002690		S.TRA 2SC4116-GR (TE85R)	[KOR]	
1530002690		S.TRA 2SC4116-GR (TE85R)	[EUR-1]	
1530002691		S.TRA 2SC4116-GR(TE85R,F)	[GEN-21]	
1530002691		S.TRA 2SC4116-GR(TE85R,F)	[GEN-22]	
1530002690		S.TRA 2SC4116-GR (TE85R)	[GEN-25]	
1530002691		S.TRA 2SC4116-GR(TE85R,F)	[CHN]	
1530002691		S.TRA 2SC4116-GR(TE85R,F)	[EUR-21]	
D3001		1750000270	S.DIO 1SS301 (TE85R)	[GEN-1]
		1750000270	S.DIO 1SS301 (TE85R)	[GEN-2]
		1750000270	S.DIO 1SS301 (TE85R)	[GEN-4]
		1750000270	S.DIO 1SS301 (TE85R)	[GEN-5]
	1750000270	S.DIO 1SS301 (TE85R)	[KOR]	
	1750000271	S.DIO 1SS301(TE85L,F)	[GEN-21]	
	1750000271	S.DIO 1SS301(TE85L,F)	[GEN-22]	
	1750000271	S.DIO 1SS301(TE85L,F)	[GEN-25]	
	1750000271	S.DIO 1SS301(TE85L,F)	[CHN]	
	1750000271	S.DIO 1SS301(TE85L,F)	[EUR-21]	
	D3002	1750000270	S.DIO 1SS301 (TE85R)	[GEN-1]
		1750000270	S.DIO 1SS301 (TE85R)	[GEN-2]
		1750000270	S.DIO 1SS301 (TE85R)	[GEN-4]
		1750000270	S.DIO 1SS301 (TE85R)	[GEN-5]
		1750000270	S.DIO 1SS301 (TE85R)	[KOR]
1750000270		S.DIO 1SS301 (TE85R)	[EUR-1]	
1750000271		S.DIO 1SS301(TE85L,F)	[GEN-21]	
1750000271		S.DIO 1SS301(TE85L,F)	[GEN-22]	
1750000271		S.DIO 1SS301(TE85L,F)	[GEN-25]	
1750000271		S.DIO 1SS301(TE85L,F)	[CHN]	
1750000271		S.DIO 1SS301(TE85L,F)	[EUR-21]	
D3003		1790000540	S.VAR MA338(TX)	[GEN-1]
		1790000540	S.VAR MA338(TX)	[GEN-2]
		1790000540	S.VAR MA338(TX)	[GEN-4]
		1790000540	S.VAR MA338(TX)	[GEN-5]
	1790000540	S.VAR MA338(TX)	[KOR]	
	1790000540	S.VAR MA338(TX)	[EUR-1]	
	1790000540	S.VAR MA338(TX)	[GEN-21]	
	1790000540	S.VAR MA338(TX)	[GEN-22]	
	1790000540	S.VAR MA338(TX)	[GEN-25]	
	1790000540	S.VAR MA338(TX)	[CHN]	
	1790000540	S.VAR MA338(TX)	[EUR-21]	
	D3004	1720000670	S.VAR HVU17TRF	[GEN-1]
		1720000670	S.VAR HVU17TRF	[GEN-2]
		1720000670	S.VAR HVU17TRF	[GEN-3]
		1720000670	S.VAR HVU17TRF	[GEN-4]
1720000670		S.VAR HVU17TRF	[GEN-5]	
1720000670		S.VAR HVU17TRF	[KOR]	
1720000670		S.VAR HVU17TRF	[EUR-1]	
1720000670		S.VAR HVU17TRF	[EUR-2]	
1720000671		S.VAR HVU17TRF-E	[GEN-21]	
1720000671		S.VAR HVU17TRF-E	[GEN-22]	
1720000671		S.VAR HVU17TRF-E	[GEN-25]	
1720000671		S.VAR HVU17TRF-E	[CHN]	
1720000671		S.VAR HVU17TRF-E	[EUR-21]	
D3005		1750000070	S.DIO 1SS226 (TE85R)	[GEN-1]
		1750000070	S.DIO 1SS226 (TE85R)	[GEN-2]
	1750000070	S.DIO 1SS226 (TE85R)	[GEN-4]	
	1750000070	S.DIO 1SS226 (TE85R)	[GEN-5]	
	1750000070	S.DIO 1SS226 (TE85R)	[KOR]	
	1750000070	S.DIO 1SS226 (TE85R)	[EUR-1]	
	1750000071	S.DIO 1SS226(TE85R,F)	[GEN-21]	
	1750000071	S.DIO 1SS226(TE85R,F)	[GEN-22]	
	1750000071	S.DIO 1SS226(TE85R,F)	[GEN-25]	
	1750000071	S.DIO 1SS226(TE85R,F)	[CHN]	
	1750000071	S.DIO 1SS226(TE85R,F)	[EUR-21]	

[PLL UNIT]

REF NO.	ORDER NO.	DESCRIPTION		
D3015	1790000491	S.DIO HSM88ASTR-E	[GEN-1]	
	1790000491	S.DIO HSM88ASTR-E	[GEN-2]	
	1790000491	S.DIO HSM88ASTR-E	[GEN-4]	
	1790000491	S.DIO HSM88ASTR-E	[GEN-5]	
	1790000491	S.DIO HSM88ASTR-E	[KOR]	
	1790000491	S.DIO HSM88ASTR-E	[EUR-1]	
	1790000491	S.DIO HSM88ASTR-E	[GEN-21]	
	1790000491	S.DIO HSM88ASTR-E	[GEN-22]	
	1790000491	S.DIO HSM88ASTR-E	[GEN-25]	
	1790000491	S.DIO HSM88ASTR-E	[CHN]	
	1790000491	S.DIO HSM88ASTR-E	[EUR-21]	
	D3016	1790000491	S.DIO HSM88ASTR-E	[GEN-1]
		1790000491	S.DIO HSM88ASTR-E	[GEN-2]
		1790000491	S.DIO HSM88ASTR-E	[GEN-4]
		1790000491	S.DIO HSM88ASTR-E	[GEN-5]
1790000491		S.DIO HSM88ASTR-E	[KOR]	
1790000491		S.DIO HSM88ASTR-E	[EUR-1]	
1790000491		S.DIO HSM88ASTR-E	[GEN-21]	
1790000491		S.DIO HSM88ASTR-E	[GEN-22]	
1790000491		S.DIO HSM88ASTR-E	[GEN-25]	
1790000491		S.DIO HSM88ASTR-E	[CHN]	
1790000491		S.DIO HSM88ASTR-E	[EUR-21]	
D3020		1720000670	S.VAR HVU17TRF	[GEN-1]
		1720000670	S.VAR HVU17TRF	[GEN-2]
		1720000670	S.VAR HVU17TRF	[GEN-3]
		1720000670	S.VAR HVU17TRF	[GEN-4]
	1720000670	S.VAR HVU17TRF	[GEN-5]	
	1720000670	S.VAR HVU17TRF	[KOR]	
	1720000670	S.VAR HVU17TRF	[EUR-1]	
	1720000670	S.VAR HVU17TRF	[EUR-2]	
	1720000671	S.VAR HVU17TRF-E	[GEN-21]	
	1720000671	S.VAR HVU17TRF-E	[GEN-22]	
	1720000671	S.VAR HVU17TRF-E	[GEN-25]	
	1720000671	S.VAR HVU17TRF-E	[CHN]	
	1720000671	S.VAR HVU17TRF-E	[EUR-21]	
	FI3001	2020001140	S.CER SFECA10.7MA5-A-TC(SFECA10.7MA)	[GEN-1]
		2020001140	S.CER SFECA10.7MA5-A-TC(SFECA10.7MA)	[GEN-2]
2020001140		S.CER SFECA10.7MA5-A-TC(SFECA10.7MA)	[GEN-4]	
2020001140		S.CER SFECA10.7MA5-A-TC(SFECA10.7MA)	[GEN-5]	
2020001140		S.CER SFECA10.7MA5-A-TC(SFECA10.7MA)	[KOR]	
2020001140		S.CER SFECA10.7MA5-A-TC(SFECA10.7MA)	[EUR-1]	
2020001140		S.CER SFECA10.7MA5-A-TC(SFECA10.7MA)	[GEN-21]	
2020001140		S.CER SFECA10.7MA5-A-TC(SFECA10.7MA)	[GEN-22]	
2020001140		S.CER SFECA10.7MA5-A-TC(SFECA10.7MA)	[GEN-25]	
2020001140		S.CER SFECA10.7MA5-A-TC(SFECA10.7MA)	[CHN]	
2020001140		S.CER SFECA10.7MA5-A-TC(SFECA10.7MA)	[EUR-21]	
X3001		6050005770	XTA CR-282 POC 30.000 MHz	[GEN-1]
		6050005770	XTA CR-282 POC 30.000 MHz	[GEN-2]
		6050005770	XTA CR-282 POC 30.000 MHz	[GEN-4]
		6050005770	XTA CR-282 POC 30.000 MHz	[GEN-5]
	6050005770	XTA CR-282 POC 30.000 MHz	[KOR]	
	6050005770	XTA CR-282 POC 30.000 MHz	[EUR-1]	
	6050011400	XTA CR-282. POC 30.00000 MHz	[GEN-21]	
	6050011400	XTA CR-282. POC 30.00000 MHz	[GEN-22]	
	6050011400	XTA CR-282. POC 30.00000 MHz	[GEN-25]	
	6050011400	XTA CR-282. POC 30.00000 MHz	[CHN]	
	6050011400	XTA CR-282. POC 30.00000 MHz	[EUR-21]	
	L3001	6200001830	S.COI NL 322522T-100J	[GEN-1]
		6200001830	S.COI NL 322522T-100J	[GEN-2]
		6200001830	S.COI NL 322522T-100J	[GEN-4]
		6200001830	S.COI NL 322522T-100J	[GEN-5]
6200001830		S.COI NL 322522T-100J	[KOR]	
6200001830		S.COI NL 322522T-100J	[EUR-1]	
6200001831		S.COI NLV32T-100J	[GEN-21]	
6200001831		S.COI NLV32T-100J	[GEN-22]	
6200001831		S.COI NLV32T-100J	[GEN-25]	
6200001831		S.COI NLV32T-100J	[CHN]	
6200001831		S.COI NLV32T-100J	[EUR-21]	
L3002		6170000230	COI LW-25	[GEN-1]
		6170000230	COI LW-25	[GEN-2]
		6170000230	COI LW-25	[GEN-4]
		6170000230	COI LW-25	[GEN-5]
	6170000230	COI LW-25	[KOR]	
	6170000230	COI LW-25	[EUR-1]	
	6170000231	COI LW-25A	[GEN-21]	
	6170000231	COI LW-25A	[GEN-22]	
	6170000231	COI LW-25A	[GEN-25]	
	6170000231	COI LW-25A	[CHN]	
	6170000231	COI LW-25A	[EUR-21]	
	L3003	6150004370	COI LS-472C (C-15045)	[GEN-1]
		6150004370	COI LS-472C (C-15045)	[GEN-2]
		6150004370	COI LS-472C (C-15045)	[GEN-4]
		6150004370	COI LS-472C (C-15045)	[GEN-5]
6150004370		COI LS-472C (C-15045)	[KOR]	
6150004370		COI LS-472C (C-15045)	[EUR-1]	
6150004370		COI LS-472C (C-15045)	[GEN-21]	
6150004370		COI LS-472C (C-15045)	[GEN-22]	
6150004370		COI LS-472C (C-15045)	[GEN-25]	
6150004370		COI LS-472C (C-15045)	[CHN]	
6150004370		COI LS-472C (C-15045)	[EUR-21]	

M.=Mounted side (T: Mounted on the Top side, B: Mounted on the Bottom side)
S.=Surface mount

[PA-J UNIT]

REF NO.	ORDER NO.	DESCRIPTION		
WS3	8600036190	SX1632 P4602*4603PA #03 <KN>		[GEN-3] only
J4601	6510018780	CON	MR-DS 01	
F4601	5220000280	HOL	FH-052S	
F4602	5220000280	HOL	FH-052S	
F4603	5210000500	FUS	FGB 30A	
F4604	5210000500	FUS	FGB 30A	
W4603	8900005900	CAB	OPC-569	
W4604	8900005880	CAB	OPC-564 (N:16L:220)	
W4605	8900005890	CAB	OPC-565 (N:10L:220)	[GEN-1]
	8900005890	CAB	OPC-565 (N:10L:220)	[GEN-2]
	8900005890	CAB	OPC-565 (N:10L:220)	[GEN-3]
	8900005890	CAB	OPC-565 (N:10L:220)	[GEN-4]
	8900005890	CAB	OPC-565 (N:10L:220)	[GEN-5]
	8900005890	CAB	OPC-565 (N:10L:220)	[KOR]
	8900006390	CAB	OPC-627	[EUR-1]
	8900006390	CAB	OPC-627	[EUR-2]
EP4603	6910009370	SHE	P101 KD	[EUR-1]
	6910009370	SHE	P101 KD	[EUR-2]
EP4604	6910009370	SHE	P101 KD	[EUR-1]
	6910009370	SHE	P101 KD	[EUR-2]
EP4605	6910009370	SHE	P101 KD	
EP4611	8930024970	SHE	1241(TBM-F<FB-20>) 2	[EUR-1]
	8930024970	SHE	1241(TBM-F<FB-20>) 2	[EUR-2]
EP4612	8930024970	SHE	1241(TBM-F<FB-20>) 2	[EUR-1]
	8930024970	SHE	1241(TBM-F<FB-20>) 2	[EUR-2]
EP4614	9017680190	TUB	10 L=25MM	[GEN-3] only
WS1	8970021910	M.O	SX1632 1.5D (1)/PA<KN>	
WS2	8600034360	M.O	SX1632 P4602*4603PA <KN>	[GEN-1]
	8600034360	M.O	SX1632 P4602*4603PA <KN>	[GEN-2]
	8600034360	M.O	SX1632 P4602*4603PA <KN>	[GEN-4]
	8600034360	M.O	SX1632 P4602*4603PA <KN>	[GEN-5]
	8600034360	M.O	SX1632 P4602*4603PA <KN>	[KOR]

[FILTER-J UNIT]

REF NO.	ORDER NO.	DESCRIPTION		
Q4301	1590002190	TRA	DTC114ES TP	
D4301	1710000061	DIO	1SS55-T4-AZ 1	
D4302	1710000061	DIO	1SS55-T4-AZ 1	
D4303	1710000061	DIO	1SS55-T4-AZ 1	
D4304	1710000061	DIO	1SS55-T4-AZ 1	
D4305	1710000061	DIO	1SS55-T4-AZ 1	
D4306	1710000061	DIO	1SS55-T4-AZ 1	
D4307	1710000061	DIO	1SS55-T4-AZ 1	
D4308	1710000061	DIO	1SS55-T4-AZ 1	
D4309	1710000981	DIO	MBD701G	[GEN-21]
	1710000981	DIO	MBD701G	[GEN-22]
	1710000981	DIO	MBD701G	[GEN-23]
	1710000981	DIO	MBD701G	[GEN-25]
	1710000981	DIO	MBD701G	[CHN]
	1710000981	DIO	MBD701G	[EUR-21]
	1710000981	DIO	MBD701G	[EUR-22]
D4310	1710000981	DIO	MBD701G	[GEN-21]
	1710000981	DIO	MBD701G	[GEN-22]
	1710000981	DIO	MBD701G	[GEN-23]
	1710000980	DIO	MBD701G	[GEN-25]
	1710000981	DIO	MBD701G	[CHN]
	1710000981	DIO	MBD701G	[EUR-21]
	1710000981	DIO	MBD701G	[EUR-22]
D4311	1710000061	DIO	1SS55-T4-AZ 1	
L4301	6180000900	COI	LAL 03NA 101K	
L4302	6140001990	COI	LR-226 (T68-2)	
L4303	6140002000	COI	LR-227 (T68-2)	
L4304	6180000900	COI	LAL 03NA 101K	
L4305	6180000900	COI	LAL 03NA 101K	
L4306	6140002900	COI	LR-263 <KN>	
L4307	6140002820	COI	LR-235 <KN>	
L4308	6140002830	COI	LR-236 <KN>	
L4309	6180000900	COI	LAL 03NA 101K	
L4310	6180000900	COI	LAL 03NA 101K	
L4311	6140002850	COI	LR-238 <KN>	
L4312	6140002820	COI	LR-235 <KN>	
L4313	6140002820	COI	LR-235 <KN>	
L4314	6180000900	COI	LAL 03NA 101K	
L4315	6180000900	COI	LAL 03NA 101K	
L4316	6140002840	COI	LR-237 <KN>	
L4317	6140002900	COI	LR-263 <KN>	
L4318	6140002900	COI	LR-263 <KN>	
L4319	6180000900	COI	LAL 03NA 101K	
L4320	6180000900	COI	LAL 03NA 101K	
L4321	6140002860	COI	LR-241 <KN>	
L4322	6140002840	COI	LR-237 <KN>	
L4323	6140002840	COI	LR-237 <KN>	
L4324	6180000900	COI	LAL 03NA 101K	
L4325	6180000900	COI	LAL 03NA 101K	
L4327	6140002880	COI	LR-243 <KN>	
L4328	6140002870	COI	LR-242 <KN>	
L4329	6140002870	COI	LR-242 <KN>	
L4330	6180000900	COI	LAL 03NA 101K	
L4331	6180000900	COI	LAL 03NA 101K	
L4332	6140003580	COI	LR-399(3.5%)	
L4333	6140003570	COI	LR-398 (3.5%)	
L4334	6180000900	COI	LAL 03NA 101K	
L4335	6180000900	COI	LAL 03NA 101K	
L4336	6140002890	COI	LR-262 <KN>	
L4337	6140002890	COI	LR-262 <KN>	
L4338	6180000900	COI	LAL 03NA 101K	
L4339	6180000900	COI	LAL 03NA 101K	
L4340	6180000900	COI	LAL 03NA 101K	
L4341	6140002530	COI	LR-291 (TR10X5X5 3A6)	
L4342	6140001460	COI	LR-170	
L4343	6180000900	COI	LAL 03NA 101K	
L4344	6180000900	COI	LAL 03NA 101K	
L4345	6140002830	COI	LR-236 <KN>	
L4346	6140003570	COI	LR-398 (3.5%)	
R4301	7010004372	RES	PSD1/4 22 K	
R4302	7010007240	RES	PSD1/4V 100 K	
R4303	7010006980	RES	PSD1/4 10 K	
R4304	7010007240	RES	PSD1/4V 100 K	
R4305	7010007180	RES	PSD1/4V 22 K	
R4306	7010006980	RES	PSD1/4 10 K	
R4307	7010004701	RES	PSD1/2 68	
R4309	7540000010	ABS	DSA-301LA	
R4312	7010004272	RES	PSD1/4 4.7K	
R4313	7010007140	RES	PSD1/4V 4.7K	
R4314	7010007290	RES	PSD1/4V 1 M	
C4301	4020000980	CYL	UP050 B 104K-NA-CZ	
C4302	4320000270	DIP	DM20C 102J5 .	[GEN-21]
	4320000270	DIP	DM20C 102J5 .	[GEN-22]
	4320000651	DIP	KD20C 102J5A	[GEN-23]
	4320000651	DIP	KD20C 102J5A	[GEN-25]
	4320000270	DIP	DM20C 102J5 .	[CHN]
	4320000651	DIP	KD20C 102J5A	[EUR-21]
	4320000270	DIP	DM20C 102J5 .	[EUR-22]
C4303	4010006410	CER	HM13SJ SL 471J 500V	
C4304	4010006410	CER	HM13SJ SL 471J 500V	

M.=Mounted side (T: Mounted on the Top side, B: Mounted on the Bottom side)
S.=Surface mount

[FILTER-J UNIT]

REF NO.	ORDER NO.	DESCRIPTION		
C4305	4320000320	DIP	DM20C 222J5	[GEN-21]
	4320000320	DIP	DM20C 222J5	[GEN-22]
	4320000981	DIP	KD20C 222J5A	[GEN-23]
	4320000981	DIP	KD20C 222J5A	[GEN-25]
	4320000320	DIP	DM20C 222J5	[CHN]
	4320000981	DIP	KD20C 222J5A	[EUR-21]
	4320000320	DIP	DM20C 222J5	[EUR-22]
C4306	4010005360	CER	HM11SJ SL 301J 500V	
C4307	4010005880	CER	HM95SJ SL 271J 500V	
C4308	4320000330	DIP	DM20C 272J5	[GEN-21]
	4320000330	DIP	DM20C 272J5	[GEN-22]
	4320000951	DIP	KD20C 272J5A	[GEN-23]
	4320000951	DIP	KD20C 272J5A	[GEN-25]
	4320000330	DIP	DM20C 272J5	[CHN]
	4320000951	DIP	KD20C 272J5A	[EUR-21]
	4320000330	DIP	DM20C 272J5	[EUR-22]
C4309	4010005850	CER	HM95SJ SL 181J 500V	
C4310	4010005480	CER	HM60SJ CH 100D 500V	
C4311	4010005930	CER	HM11SJ SL 391J 500V	
C4312	4010005930	CER	HM11SJ SL 391J 500V	
C4313	4010005370	CER	HM11SJ SL 331J 500V	
C4314	4010005930	CER	HM11SJ SL 391J 500V	
C4315	4020000980	CYL	UP050 B 104K-NA-CZ	
C4316	4020000980	CYL	UP050 B 104K-NA-CZ	
C4317	4010005690	CER	HM60SJ SL 300J 500V	
C4318	4010005370	CER	HM11SJ SL 331J 500V	
C4319	4010006410	CER	HM13SJ SL 471J 500V	
C4320	4010005370	CER	HM11SJ SL 331J 500V	
C4321	4010005880	CER	HM95SJ SL 271J 500V	
C4322	4010005880	CER	HM95SJ SL 271J 500V	
C4323	4010005880	CER	HM95SJ SL 271J 500V	
C4324	4010006410	CER	HM13SJ SL 471J 500V	
C4325	4010006410	CER	HM13SJ SL 471J 500V	
C4326	4010006410	CER	HM13SJ SL 471J 500V	
C4327	4010005880	CER	HM95SJ SL 271J 500V	
C4328	4010005370	CER	HM11SJ SL 331J 500V	
C4329	4010005370	CER	HM11SJ SL 331J 500V	
C4330	4010006410	CER	HM13SJ SL 471J 500V	
C4331	4010005930	CER	HM11SJ SL 391J 500V	
C4332	4010005370	CER	HM11SJ SL 331J 500V	
C4333	4010005820	CER	HM74SJ SL 121J 500V	
C4334	4010005820	CER	HM74SJ SL 121J 500V	
C4335	4010005930	CER	HM11SJ SL 391J 500V	
C4336	4010005930	CER	HM11SJ SL 391J 500V	
C4337	4010005750	CER	HM60SJ SL 680J 500V	
C4338	4020000980	CYL	UP050 B 104K-NA-CZ	
C4339	4010006900	CER	HE80SJ YB 472K 50V	
C4340	4010005870	CER	HM95SJ SL 221J 500V	
C4341	4010005370	CER	HM11SJ SL 331J 500V	
C4342	4010005370	CER	HM11SJ SL 331J 500V	
C4343	4010005930	CER	HM11SJ SL 391J 500V	
C4344	4010005830	CER	HM74SJ SL 151J 500V	
C4345	4010005930	CER	HM11SJ SL 391J 500V	
C4346	4010006410	CER	HM13SJ SL 471J 500V	
C4347	4010005770	CER	HM60SJ SL 820J 500V	
C4348	4010006410	CER	HM13SJ SL 471J 500V	
C4349	4010006900	CER	HE80SJ YB 472K 50V	
C4350	4010006900	CER	HE80SJ YB 472K 50V	
C4351	4010005850	CER	HM95SJ SL 181J 500V	
C4352	4010005370	CER	HM11SJ SL 331J 500V	
C4353	4010005820	CER	HM74SJ SL 121J 500V	
C4354	4010005880	CER	HM95SJ SL 271J 500V	
C4355	4010005360	CER	HM11SJ SL 301J 500V	
C4356	4010005740	CER	HM60SJ SL 560J 500V	
C4357	4010005560	CER	HM60SJ SL 050C 500V	
C4358	4010005360	CER	HM11SJ SL 301J 500V	
C4359	4010006900	CER	HE80SJ YB 472K 50V	
C4360	4010006900	CER	HE80SJ YB 472K 50V	
C4361	4010005930	CER	HM11SJ SL 391J 500V	
C4362	4010005820	CER	HM74SJ SL 121J 500V	
C4363	4010005930	CER	HM11SJ SL 391J 500V	
C4364	4010005770	CER	HM60SJ SL 820J 500V	
C4365	4010005870	CER	HM95SJ SL 221J 500V	
C4366	4010006900	CER	HE80SJ YB 472K 50V	
C4367	4010006900	CER	HE80SJ YB 472K 50V	
C4368	4010005880	CER	HM95SJ SL 271J 500V	
C4369	4010008600	CER	HP74SJ SL 101J 1KV	
C4370	4010005370	CER	HM11SJ SL 331J 500V	
C4371	4010005750	CER	HM60SJ SL 680J 500V	
C4372	4010005770	CER	HM60SJ SL 820J 500V	
C4373	4010006900	CER	HE80SJ YB 472K 50V	
C4374	4010006900	CER	HE80SJ YB 472K 50V	
C4377	4010005860	CER	HM95SJ SL 201J 500V	
C4378	4010008610	CER	HP60SJ SL 470J 1KV	
C4379	4010005870	CER	HM95SJ SL 221J 500V	
C4380	4010006900	CER	HE80SJ YB 472K 50V	
C4381	4010006900	CER	HE80SJ YB 472K 50V	
C4382	4010005830	CER	HM74SJ SL 151J 500V	
C4383	4010005660	CER	HM60SJ SL 220J 500V	
C4384	4010005360	CER	HM11SJ SL 301J 500V	
C4385	4010008610	CER	HP60SJ SL 470J 1KV	
C4386	4010005830	CER	HM74SJ SL 151J 500V	
C4387	4010006900	CER	HE80SJ YB 472K 50V	
C4388	4010006850	CER	HE40SJ YB 471K 50V	
C4389	4010006850	CER	HE40SJ YB 471K 50V	
C4390	4010006380	CER	HE90SJ SL 471J 50V	
C4391	4010006380	CER	HE90SJ SL 471J 50V	
C4392	4610002290	TRI	TZ03R300F169B00	
C4393	4010006310	CER	HE60SJ SL 181J 50V	
C4394	4010006900	CER	HE80SJ YB 472K 50V	
C4395	4010006900	CER	HE80SJ YB 472K 50V	
C4396	4010006900	CER	HE80SJ YB 472K 50V	
C4398	4010007600	CER	HM17SJ YB 103K 500V	
C4399	4010007600	CER	HM17SJ YB 103K 500V	

[FILTER-J UNIT]

REF NO.	ORDER NO.	DESCRIPTION	
C4400	4010006280	CER	HE50SJ SL 101J 50V
C4401	4010006110	CER	HE40SJ SL 180J 50V
C4402	4010006280	CER	HE50SJ SL 101J 50V
C4404	4010006900	CER	HE80SJ YB 472K 50V
C4406	4020000990	CYL	UP050 B 473K-NA-CZ
C4407	4510006160	ELE	25 ME 10 HC
C4408	4010005730	CER	HM60SJ SL 470J 500V
C4409	4010005480	CER	HM60SJ CH 100D 500V
C4410	4010005820	CER	HM74SJ SL 121J 500V
C4411	4010005480	CER	HM60SJ CH 100D 500V
C4412	4010005770	CER	HM60SJ SL 820J 500V
C4413	4010005740	CER	HM60SJ SL 560J 500V
C4414	4010005480	CER	HM60SJ CH 100D 500V
C4415	4010005780	CER	HM60SJ SL 101J 500V
C4416	4010006900	CER	HE80SJ YB 472K 50V
C4417	4010005780	CER	HM60SJ SL 101J 500V
C4420	4010005770	CER	HM60SJ SL 820J 500V
C4421	4010005660	CER	HM60SJ SL 220J 500V
C4422	4510005481	ELE	50 ME 1 HC
C4423	4510005481	ELE	50 ME 1 HC
C4424	4510005481	ELE	50 ME 1 HC
C4425	4510005481	ELE	50 ME 1 HC
C4426	4510005481	ELE	50 ME 1 HC
C4427	4510005481	ELE	50 ME 1 HC
C4428	4510005481	ELE	50 ME 1 HC
C4429	4010005640	CER	HM60SJ SL 180J 500V
C4430	4010006900	CER	HE80SJ YB 472K 50V
C4431	4010005480	CER	HM60SJ CH 100D 500V
RL4301	6330001571	REL	AJS1315F-K1
RL4302	6330001571	REL	AJS1315F-K1
RL4303	6330001571	REL	AJS1315F-K1
RL4304	6330001571	REL	AJS1315F-K1
RL4305	6330001571	REL	AJS1315F-K1
RL4306	6330001571	REL	AJS1315F-K1
RL4307	6330001571	REL	AJS1315F-K1
RL4308	6330001571	REL	AJS1315F-K1
RL4309	6330001571	REL	AJS1315F-K1
RL4310	6330001571	REL	AJS1315F-K1
RL4311	6330001571	REL	AJS1315F-K1
RL4312	6330001571	REL	AJS1315F-K1
RL4313	6330001571	REL	AJS1315F-K1
RL4314	6330001571	REL	AJS1315F-K1
RL4315	6330001571	REL	AJS1315F-K1
RL4316	6330001571	REL	AJS1315F-K1
RL4317	6330000781	REL	AGP2013F
J4303	6510018571	CON	16FE-BT-VK-N
J4304	6510007020	CON	TMP-J01X-V6
W4302	9019601025	JUM	74/98/025/X98/X98
W4303	9019601025	JUM	74/98/025/X98/X98
W4304	9019601025	JUM	74/98/025/X98/X98
W4305	9019601025	JUM	74/98/025/X98/X98
W4306	9019601025	JUM	74/98/025/X98/X98
W4307	9019601025	JUM	74/98/025/X98/X98
W4308	9019601025	JUM	74/98/025/X98/X98
W4309	9019601025	JUM	74/98/025/X98/X98
W4310	9019601025	JUM	74/98/025/X98/X98
W4312	6910001031	JUM	IPS-1041-4-PT
W4313	6910001031	JUM	IPS-1041-4-PT
W4314	6910001031	JUM	IPS-1041-4-PT
W4315	9008503020	JUM	74/98/030/X98/X98
W4316	9019601025	JUM	74/98/025/X98/X98
W4317	9008503020	JUM	74/98/030/X98/X98
W4319	7030011280	JUM	J1/4ZC
W4320	6910001031	JUM	IPS-1041-4-PT
W4321	6910001031	JUM	IPS-1041-4-PT
W4328	9019601025	JUM	74/98/025/X98/X98
W4329	7120000380	JUM	JPW 01 R-01
W4330	7030012290	JUM	RDS2T0R0
WS1	8970022020	M.O	SX1632 1.5D (2)/FI

M.=Mounted side (T: Mounted on the Top side, B: Mounted on the Bottom side)
S.=Surface mount

[PA150W-J UNIT]

REF NO.	ORDER NO.	DESCRIPTION	
WS3	8970023290 8970023290	SX1632 J (4)/PA SX1632 J (4)/PA	[GEN-23] [EUR-22]
IC4001	1110002031	IC TA7808S(Q)	
IC4002	1110000960	S.IC NJM4558M-TE1-#FMZB	
IC4003	1170000290	S.IC PS2701-1-F3	
IC4004	1170000290	S.IC PS2701-1-F3	
Q4001	1530000191	TRA 2SC3133-01	
Q4002	1530000191	TRA 2SC3133-01	
Q4003	1530000200	TRA 2SC2904	
Q4004	1530000200	TRA 2SC2904	
Q4005	1510001040	S.TRA 2SA1037AKT146S	
Q4006	1540000501	TRA 2SD1585-AZ K	
Q4007	1530001971	S.TRA 2SC1623-T2B-A-L6	
Q4008	1530004090	TRA 2SC2078 D/E	
D4001	1790000710	VAR MA29B	
D4002	1790000710	VAR MA29B	
D4003	1790000710	VAR MA29B	
D4004	1710000831	S.DIO DF30SC4M-7072	[GEN-21]
	1710000831	S.DIO DF30SC4M-7072	[GEN-22]
	1710000831	S.DIO DF30SC4M-7072	[GEN-25]
	1710000831	S.DIO DF30SC4M-7072	[CHN]
	1710000831	S.DIO DF30SC4M-7072	[EUR-21]
	1710000830	S.DIO DF30SC4M-4072	[EUR-22]
L4001	6140002350	COI LR-274 (RIB4X7X5 3A6)	
L4003	6140003610	COI LR-402 (SK-08MD-10X2Y)	
L4004	6140002980	COI LR-143 <KN>	
L4005	2040000490	COI EXC-ELDR25C	
L4006	6140002220	COI LR-270 (TR6X3X2 3A9)	
L4007	2040000490	COI EXC-ELDR25C	
L4009	6140000610	COI LR-83	
L4010	6140002990	COI LR-148 <KN>	[GEN-21]
	6140002990	COI LR-148 <KN>	[GEN-22]
	6140003390	COI LR-381 <KN>	[GEN-23]
	6140002990	COI LR-148 <KN>	[GEN-25]
	6140002990	COI LR-148 <KN>	[CHN]
	6140002990	COI LR-148 <KN>	[EUR-21]
	6140003390	COI LR-381 <KN>	[EUR-22]
L4011	2040000490	COI EXC-ELDR25C	
L4012	6170000140	COI LW-15	
L4013	6140003610	COI LR-402 (SK-08MD-10X2Y)	
L4014	6200003261	S.COI NLV32T-101J	
L4016	6180001220	COI LAL 04NA 100K	
L4018	2040000490	COI EXC-ELDR25C	
L4020	6200003261	S.COI NLV32T-101J	
L4021	6200003261	S.COI NLV32T-101J	
L4022	6200003261	S.COI NLV32T-101J	
L4023	6180001220	COI LAL 04NA 100K	
L4024	6200010860	S.COI C2520C-R10G-A (0.1U)	
L4027	6200010780	S.COI C2520C-R10G-A	
R4004	7010000211	RES PSN1/4V 47	
R4005	7010000211	RES PSN1/4V 47	
R4006	7030010970	S.RES ERJ1TYJ 151U	
R4007	7030010970	S.RES ERJ1TYJ 151U	
R4008	7070000321	RES ERX1SJ 3R3 (3.3)	
R4009	7070000321	RES ERX1SJ 3R3 (3.3)	
R4010	7070000321	RES ERX1SJ 3R3 (3.3)	
R4011	7070000321	RES ERX1SJ 3R3 (3.3)	
R4012	7070000321	RES ERX1SJ 3R3 (3.3)	
R4013	7070000321	RES ERX1SJ 3R3 (3.3)	
R4014	7010004651	RES PSD1/2 10	
R4015	7010004651	RES PSD1/2 10	
R4016	7070000281	RES ERX1SJ 2R2 (2.2)	
R4017	7070000281	RES ERX1SJ 2R2 (2.2)	
R4018	7030000460	S.RES MCR10EZHH 4.7K (472)	
R4019	7030000460	S.RES MCR10EZHH 4.7K (472)	
R4020	7010004741	RES PSD1/2 150	
R4022	7310005490	TRI VG067TL1B101 (100)	
R4023	7070000311	RES ERG1SJ 100 (10)	
R4024	7030000290	S.RES MCR10EZHH 180 (181)	
R4025	7310004940	TRI KVSF637AC 471 470	
R4026	7100000890	RES RWL5 0R012J	
R4027	7030000600	S.RES MCR10EZHH 68 K (683)	
R4028	7030000600	S.RES MCR10EZHH 68 K (683)	
R4029	7030000560	S.RES MCR10EZHH 33 K (333)	
R4030	7030000560	S.RES MCR10EZHH 33 K (333)	
R4031	7310004970	TRI KVSF637AC 472 4.7K	
R4032	7030000740	S.RES MCR10EZHH 1 M (105)	
R4033	7030000500	S.RES MCR10EZHH 10 K (103)	
R4034	7010000301	RES PSN1/4V 270	
R4035	7070000251	RES ERX2SJ 4R7 (4.7)	
R4036	7010000331	RES PSN1/4V 470	
R4039	7010000091	RES PSN1/4V 4.7	
R4040	7030010820	S.RES ERJ1TYJ 221U (220)	
R4044	7010000331	RES PSN1/4V 470	
R4045	7030000370	S.RES MCR10EZHH 820 (821)	
R4046	7030000340	S.RES MCR10EZHH 470 (471)	
R4048	7010000061	RES PSN1/4V 2.7	
R4050	7010000311	RES PSN1/4V 330	
R4051	7030000340	S.RES MCR10EZHH 470 (471)	
R4052	7030000150	S.RES MCR10EZHH 12 (120)	
R4053	7030000340	S.RES MCR10EZHH 470 (471)	
R4061	7030000010	S.RES MCR10EZHH JPW (000)	
R4062	7030000010	S.RES MCR10EZHH JPW (000)	
R4063	7030000010	S.RES MCR10EZHH JPW (000)	

[PA150W-J UNIT]

REF NO.	ORDER NO.	DESCRIPTION	
R4064	7030000010	S.RES MCR10EZHH JPW (000)	
R4065	7030000010	S.RES MCR10EZHH JPW (000)	
R4066	7030000010	S.RES MCR10EZHH JPW (000)	
R4067	7030000010	S.RES MCR10EZHH JPW (000)	
R4068	7030000010	S.RES MCR10EZHH JPW (000)	
C4003	4010005360	CER HM11SJ SL 301J 500V	
C4004	4010005360	CER HM11SJ SL 301J 500V	
C4006	4310000360	MYL 50 F2D 103J	
C4007	4310000360	MYL 50 F2D 103J	
C4008	4030005050	S.CER C2012 CH 1H 331J-T	
C4010	4030011760	S.CER GRM55R1X2D682JV01L(GRM44-1)	
C4011	4030011760	S.CER GRM55R1X2D682JV01L(GRM44-1)	
C4013	4030018370	S.CER ERF22X 6C1H 102J D01L	
C4014	4030018370	S.CER ERF22X 6C1H 102J D01L	
C4015	4030011760	S.CER GRM55R1X2D682JV01L(GRM44-1)	
C4016	4030011760	S.CER GRM55R1X2D682JV01L(GRM44-1)	
C4018	4030004740	S.CER C2012 JB 1H 472K-T	
C4019	4030004740	S.CER C2012 JB 1H 472K-T	
C4020	4510005120	ELE 16 ME 47 HC	
C4021	4510004990	ELE 16 ME 100 HC	
C4022	4030005110	S.CER C2012 JB 1E 473K-T	
C4023	4510004510	ELE 25 ME 470 HC	
C4024	4030005110	S.CER C2012 JB 1E 473K-T	
C4026	4510006160	ELE 25 ME 10 HC	
C4027	4030004740	S.CER C2012 JB 1H 472K-T	
C4028	4510004601	ELE 16 ME 1000 HC	
C4029	4030005110	S.CER C2012 JB 1E 473K-T	
C4030	4030005110	S.CER C2012 JB 1E 473K-T	
C4031	4030005110	S.CER C2012 JB 1E 473K-T	
C4032	4030004990	S.CER C2012 CH 1H 101J-T	
C4033	4030011790	S.CER GRM55RF52A684ZD01L(GRM44-1)	
C4034	4030004740	S.CER C2012 JB 1H 472K-T	
C4035	4510005040	ELE 25 ME 1000 HC	
C4036	4030004740	S.CER C2012 JB 1H 472K-T	
C4038	4030004740	S.CER C2012 JB 1H 472K-T	
C4045	4320000340	DIP DM20C 472J5	[GEN-21]
	4320000340	DIP DM20C 472J5	[GEN-22]
	4320000961	DIP KD20C 472J5A	[GEN-23]
	4320000961	DIP KD20C 472J5A	[GEN-25]
	4320000340	DIP DM20C 472J5	[CHN]
	4320000961	DIP KD20C 472J5A	[EUR-21]
	4320000340	DIP DM20C 472J5	[EUR-22]
C4046	4030004740	S.CER C2012 JB 1H 472K-T	
C4047	4030004740	S.CER C2012 JB 1H 472K-T	
C4048	4030004740	S.CER C2012 JB 1H 472K-T	
C4050	4510005040	ELE 25 ME 1000 HC	
C4051	4510004591	ELE 16 ME 470 HC	
C4052	4510006160	ELE 25 ME 10 HC	
C4053	4030004740	S.CER C2012 JB 1H 472K-T	
C4054	4030004740	S.CER C2012 JB 1H 472K-T	
C4055	4030018370	S.CER ERF22X 6C1H 102J D01L	
C4056	4030004740	S.CER C2012 JB 1H 472K-T	
C4057	4320000220	DIP DM19C 681J5	[GEN-21]
	4320000220	DIP DM19C 681J5	[GEN-22]
	4320000811	DIP KD20C 681J5A	[GEN-23]
	4320000811	DIP KD20C 681J5A	[GEN-25]
	4320000220	DIP DM19C 681J5	[CHN]
	4320000811	DIP KD20C 681J5A	[EUR-21]
	4320000220	DIP DM19C 681J5	[EUR-22]
C4059	4030004740	S.CER C2012 JB 1H 472K-T	
C4063	4510004591	ELE 16 ME 470 HC	
C4065	4020000990	CYL UP050 B 473K-NA-CZ	
C4066	4020000990	CYL UP050 B 473K-NA-CZ	
C4067	4010008570	CER RPER11H473K2K1A01	
C4068	4030004740	S.CER C2012 JB 1H 472K-T	
C4069	4030005110	S.CER C2012 JB 1E 473K-T	
C4070	4030018640	S.CER C2012 CH 1H 103J-T	
C4071	4030005010	S.CER C2012 CH 1H 151J-T	
C4072	4030008960	S.CER C2012 JB 1C 104K-T	
C4077	4030004720	S.CER C2012 JB 1H 102K-T	
C4078	4030008960	S.CER C2012 JB 1C 104K-T	
C4079	4030005110	S.CER C2012 JB 1E 473K-T	
C4080	4010008840	CER DSTB90SJYR104K	[EUR-21]
	4010008840	CER DSTB90SJYR104K	[EUR-22]
C4081	4010008840	CER DSTB90SJYR104K	[EUR-21]
	4010008840	CER DSTB90SJYR104K	[EUR-22]
C4085	4030005030	S.CER C2012 CH 1H 221J-T	
C4087	4030005030	S.CER C2012 CH 1H 221J-T	
C4088	4030018770	S.CER C3216 CH 2J 102J-T	
C4096	4030018370	S.CER ERF22X 6C1H 102J D01L	[GEN-21]
	4030018370	S.CER ERF22X 6C1H 102J D01L	[GEN-22]
	4030018370	S.CER ERF22X 6C1H 102J D01L	[GEN-23]
	4030018370	S.CER ERF22X 6C1H 102J D01L	[GEN-25]
	4030018370	S.CER ERF22X 6C1H 102J D01L	[CHN]
	4030004720	S.CER C2012 JB 1H 102K-T	[EUR-21]
	4030018370	S.CER ERF22X 6C1H 102J D01L	[EUR-22]
J4002	6510007020	CON TMP-J01X-V6	
J4003	6510018381	CON 10FE-BT-VK-N	
J4004	6510003081	CON RT01T-1.0B(LF)	
J4005	6510003081	CON RT01T-1.0B(LF)	
S4001	6910006900	THE OHD-3 110M	
S4002	6910000050	THE OHD-3 50M	

M.=Mounted side (T: Mounted on the Top side, B: Mounted on the Bottom side)
S.=Surface mount

[PA150W-J UNIT]

REF NO.	ORDER NO.	DESCRIPTION	
W4001	7030011280	JUM	J1/4ZC [GEN-21]
	7030011280	JUM	J1/4ZC [GEN-22]
	7030011280	JUM	J1/4ZC [GEN-25]
W4002	7030011280	JUM	J1/4ZC [CHN]
	7030011280	JUM	J1/4ZC [EUR-21]
	7030011280	JUM	J1/4ZC [GEN-21]
	7030011280	JUM	J1/4ZC [GEN-22]
	7030011280	JUM	J1/4ZC [GEN-25]
	7030011280	JUM	J1/4ZC [CHN]
	7030011280	JUM	J1/4ZC [EUR-21]
W4003	7030012290	JUM	RDS2T0R0 [GEN-21]
	7030012290	JUM	RDS2T0R0 [GEN-22]
	7030012290	JUM	RDS2T0R0 [GEN-25]
	7030012290	JUM	RDS2T0R0 [CHN]
W4004	7030012290	JUM	RDS2T0R0 [EUR-21]
	7030012290	JUM	RDS2T0R0 [GEN-21]
	7030012290	JUM	RDS2T0R0 [GEN-22]
	7030012290	JUM	RDS2T0R0 [GEN-25]
	7030012290	JUM	RDS2T0R0 [CHN]
	7030012290	JUM	RDS2T0R0 [EUR-21]
W4008	9045201001	WIR	74/98/040/X98/X98
W4009	9045201001	WIR	74/98/040/X98/X98
W4010	9040401001	JUM	74/98/050/X98/X98
W4011	9056000180	WIR	74/98/080/X98/X98
W4047	7030011280	JUM	J1/4ZC
EP4003	6910000610	BEA	FSRH050100RN000B (FSOH050RN01)
EP4004	6910000610	BEA	FSRH050100RN000B (FSOH050RN01)
EP4006	6910000630	BEA	FSRH070140RN000B (FSOH070RN)
EP4008	6510018330	TER	F4053A
EP4009	6510018330	TER	F4053A
EP4010	9001602001	TUB	0.7 L=10MM
EP4011	9001602001	TUB	0.7 L=10MM
EP4012	9034701901	TUB	0.7 L=20MM
EP4014	9029305901	TUB	1 L=15MM
WS1	8970022030	M.O	SX1632 J (1)/PA150W
WS2	8970022040	M.O	SX1632 1.5D (1)/PA150W

[TERMINAL-J UNIT]

REF NO.	ORDER NO.	DESCRIPTION	
WS1	8970022052	SX1632 J-2 (4)/TE	
WS3	8600034571	SX1632 P7001TE-1	[GEN-21]
	8600034571	SX1632 P7001TE-1	[GEN-22]
	8970023241	SX1632-1 (1)/TE	[GEN-23]
	8600034571	SX1632 P7001TE-1	[GEN-25]
	8600034571	SX1632 P7001TE-1	[CHN]
	8970023241	SX1632 P7001TE-1	[EUR-21]
D7001	1710000831	S.DIO	DF30SC4M-7072 [GEN-23]
	1710000831	S.DIO	DF30SC4M-7072 [EUR-22]
C7001	4510005980	ELE	16 ME 4700 HC
C7002	4010006900	CER	HE80SJ YB 472K 50V
C7003	4010006890	CER	HE60SJ YB 222K 50V
C7004	4010006890	CER	HE60SJ YB 222K 50V
C7005	4010006900	CER	HE80SJ YB 472K 50V
C7006	4010006900	CER	HE80SJ YB 472K 50V
C7008	4030001370	S.CER	GR44 CH 682K [GEN-23]
	4030011760	S.CER	GRM55R1X2D682JV01L(GRM44-1) [EUR-22]
C7009	4030001370	S.CER	GR44 CH 682K [GEN-23]
	4030011760	S.CER	GRM55R1X2D682JV01L(GRM44-1) [EUR-22]
C7010	4030001370	S.CER	GR44 CH 682K [GEN-23]
	4030011760	S.CER	GRM55R1X2D682JV01L(GRM44-1) [EUR-22]
J7001	6510010021	CON	RTB-1.5-2F(LF)
EP7003	6510018330	TER	F4053A
EP7004	6510018330	TER	F4053A
EP7010	9017680190	TUB	10 L=25MM [GEN-21]
	9017680190	TUB	10 L=25MM [GEN-22]
	9017680190	TUB	10 L=25MM [GEN-25]
	9017680190	TUB	10 L=25MM [CHN]
	9017680190	TUB	10 L=25MM [EUR-21]
WS2	8970022060	M.O	SX1632 J (2)/TE

M.=Mounted side (T: Mounted on the Top side, B: Mounted on the Bottom side)
S.=Surface mount

[REG-J UNIT]

REF NO.	ORDER NO.	DESCRIPTION		
WS2	8600036440	SX1632 P8002RE #12		[EUR-22] only
IC8001	1110003071	S.IC	UPC494GS-E1-A	
IC8002	1110001821	S.IC	UPC1093T-E1-AZ	
IC8003	1170000290	S.IC	PS2701-1-F3	
Q8001	1560001181	S.FET	2SK2266(TE24R,Q)	
Q8003	1510000801	S.TRA	2SA1213-Y(TE12R,CF)	
D8002	1790001362	DIO	SF10SC6-7600	
D8003	1790001780	DIO	MA700	
L8001	5920000450	COI	FK-080E-1020	
L8002	6190001450	COI	TC-6	
L8003	5920000450	COI	FK-080E-1020	
R8001	7030000430	S.RES	MCR10EZHZJ 2.7K (272)	
R8002	7030000460	S.RES	MCR10EZHZJ 4.7K (472)	
R8003	7030000490	S.RES	MCR10EZHZJ 8.2K (822)	
R8004	7030000390	S.RES	MCR10EZHZJ 1.2K (122)	
R8005	7030000460	S.RES	MCR10EZHZJ 4.7K (472)	
R8006	7030000460	S.RES	MCR10EZHZJ 4.7K (472)	
R8007	7030000480	S.RES	MCR10EZHZJ 6.8K (682)	
R8008	7030000440	S.RES	MCR10EZHZJ 3.3K (332)	
R8009	7030001090	S.RES	MCR50JZHZJ 47 (470)	
R8010	7030001210	S.RES	MCR50JZHZJ 470 (471)	
R8011	7030000460	S.RES	MCR10EZHZJ 4.7K (472)	
R8012	7030000260	S.RES	MCR10EZHZJ 100 (101)	
R8013	7310005010	TRI	KVSF637AC 102 1K	
R8014	7030000450	S.RES	MCR10EZHZJ 3.9K (392)	
R8015	7030000380	S.RES	MCR10EZHZJ 1 K (102)	
R8016	7030000200	S.RES	MCR10EZHZJ 33 (330)	
R8019	7030000340	S.RES	MCR10EZHZJ 470 (471)	
R8020	7030000380	S.RES	MCR10EZHZJ 1 K (102)	
C8001	4510004591	ELE	16 ME 470 HC	
C8002	4030005110	S.CER	C2012 JB 1E 473K-T	
C8003	4560000170	CER	D67X5T 1E 684M51 (MARUWA)	
C8004	4510007250	ELE	25 ME 1000 AX	
C8005	4510007250	ELE	25 ME 1000 AX	
C8006	4510006160	ELE	25 ME 10 HC	
C8007	4310000360	MYL	50 F2D 103J	
C8008	4030004740	S.CER	C2012 JB 1H 472K-T	
C8009	4510007250	ELE	25 ME 1000 AX	
C8010	4510007250	ELE	25 ME 1000 AX	
C8011	4560000170	CER	D67X5T 1E 684M51 (MARUWA)	
C8012	4030004730	S.CER	C2012 JB 1H 222K-T	
C8013	4510006021	ELE	16 ME 2200 HC	
C8014	4560000170	CER	D67X5T 1E 684M51 (MARUWA)	
C8015	4560000170	CER	D67X5T 1E 684M51 (MARUWA)	
T8001	5920000440	TRA	TO-25	
EP8003	9017680190	TUB	10 L=25MM	[EUR-22] only
WS1	8600034580	M.O	SX1632 P8001RE	
WS2	8600034590	M.O	SX1632 P8002RE #11	[EUR-21] only

[ALARM UNIT]

REF NO.	ORDER NO.	DESCRIPTION		
IC5001	1130007800	S.IC	S-7116AF-TF	[GEN-2]
	1130007800	S.IC	S-7116AF-TF	[GEN-3]
	1130007800	S.IC	S-7116AF-TF	[GEN-5]
	1130007800	S.IC	S-7116AF-TF	[KOR]
	1130007800	S.IC	S-7116AF-TF	[EUR-1]
	1130007800	S.IC	S-7116AF-TF	[EUR-2]
IC5101	1130014230	S.IC	CD4069UBM96	[GEN-22]
	1130014230	S.IC	CD4069UBM96	[GEN-23]
	1130014230	S.IC	CD4069UBM96	[GEN-25]
	1130014230	S.IC	CD4069UBM96	[EUR-21]
	1130014230	S.IC	CD4069UBM96	[EUR-22]
IC5121	1130014220	S.IC	CD74HC40103M96	[GEN-22]
	1130014220	S.IC	CD74HC40103M96	[GEN-23]
	1130014220	S.IC	CD74HC40103M96	[GEN-25]
	1130014220	S.IC	CD74HC40103M96	[EUR-21]
	1130014220	S.IC	CD74HC40103M96	[EUR-22]
IC5131	1130005470	S.IC	TC74HC393AF(F)	[GEN-22]
	1130005470	S.IC	TC74HC393AF(F)	[GEN-23]
	1130005470	S.IC	TC74HC393AF(F)	[GEN-25]
	1130005470	S.IC	TC74HC393AF(F)	[EUR-21]
	1130005470	S.IC	TC74HC393AF(F)	[EUR-22]
IC5151	1110006380	S.IC	LM2904PWR	[GEN-22]
	1110006380	S.IC	LM2904PWR	[GEN-23]
	1110006380	S.IC	LM2904PWR	[GEN-25]
	1110006380	S.IC	LM2904PWR	[EUR-21]
	1110006380	S.IC	LM2904PWR	[EUR-22]
Q5001	1530002690	S.TRA	2SC4116-GR (TE85R)	[GEN-2]
	1530002690	S.TRA	2SC4116-GR (TE85R)	[GEN-3]
	1530002690	S.TRA	2SC4116-GR (TE85R)	[GEN-5]
	1530002690	S.TRA	2SC4116-GR (TE85R)	[KOR]
	1530002690	S.TRA	2SC4116-GR (TE85R)	[EUR-1]
	1530002690	S.TRA	2SC4116-GR (TE85R)	[EUR-2]
Q5101	1590000680	S.TRA	DTC114EUA T106	[GEN-22]
	1590000680	S.TRA	DTC114EUA T106	[GEN-23]
	1590000680	S.TRA	DTC114EUA T106	[GEN-25]
	1590000680	S.TRA	DTC114EUA T106	[EUR-21]
	1590000680	S.TRA	DTC114EUA T106	[EUR-22]
X5001	6060000150	S.CER	CSAC3.58MGCD512-TC(300CD)	[GEN-2]
	6060000150	S.CER	CSAC3.58MGCD512-TC(300CD)	[GEN-3]
	6060000150	S.CER	CSAC3.58MGCD512-TC(300CD)	[GEN-5]
	6060000150	S.CER	CSAC3.58MGCD512-TC(300CD)	[KOR]
	6060000150	S.CER	CSAC3.58MGCD512-TC(300CD)	[EUR-1]
	6060000150	S.CER	CSAC3.58MGCD512-TC(300CD)	[EUR-2]
X5101	6060000150	S.CER	CSAC3.58MGCD512-TC(300CD)	[GEN-22]
	6060000150	S.CER	CSAC3.58MGCD512-TC(300CD)	[GEN-23]
	6060000150	S.CER	CSAC3.58MGCD512-TC(300CD)	[GEN-25]
	6060000150	S.CER	CSAC3.58MGCD512-TC(300CD)	[EUR-21]
	6060000150	S.CER	CSAC3.58MGCD512-TC(300CD)	[EUR-22]
R5001	7030003620	S.RES	ERJ3GEYJ 333 V (33K)	[GEN-2]
	7030003620	S.RES	ERJ3GEYJ 333 V (33K)	[GEN-3]
	7030003620	S.RES	ERJ3GEYJ 333 V (33K)	[GEN-5]
	7030003620	S.RES	ERJ3GEYJ 333 V (33K)	[KOR]
	7030003620	S.RES	ERJ3GEYJ 333 V (33K)	[EUR-1]
	7030003620	S.RES	ERJ3GEYJ 333 V (33K)	[EUR-2]
R5002	7030003640	S.RES	ERJ3GEYJ 473 V (47K)	[GEN-2]
	7030003640	S.RES	ERJ3GEYJ 473 V (47K)	[GEN-3]
	7030003640	S.RES	ERJ3GEYJ 473 V (47K)	[GEN-5]
	7030003640	S.RES	ERJ3GEYJ 473 V (47K)	[KOR]
	7030003640	S.RES	ERJ3GEYJ 473 V (47K)	[EUR-1]
	7030003640	S.RES	ERJ3GEYJ 473 V (47K)	[EUR-2]
R5003	7030003440	S.RES	ERJ3GEYJ 102 V (1K)	[GEN-2]
	7030003440	S.RES	ERJ3GEYJ 102 V (1K)	[GEN-3]
	7030003440	S.RES	ERJ3GEYJ 102 V (1K)	[GEN-5]
	7030003440	S.RES	ERJ3GEYJ 102 V (1K)	[KOR]
	7030003440	S.RES	ERJ3GEYJ 102 V (1K)	[EUR-1]
	7030003440	S.RES	ERJ3GEYJ 102 V (1K)	[EUR-2]
R5004	7030003640	S.RES	ERJ3GEYJ 473 V (47K)	[GEN-2]
	7030003640	S.RES	ERJ3GEYJ 473 V (47K)	[GEN-3]
	7030003640	S.RES	ERJ3GEYJ 473 V (47K)	[GEN-5]
	7030003640	S.RES	ERJ3GEYJ 473 V (47K)	[KOR]
	7030003640	S.RES	ERJ3GEYJ 473 V (47K)	[EUR-1]
	7030003640	S.RES	ERJ3GEYJ 473 V (47K)	[EUR-2]
R5005	7030003440	S.RES	ERJ3GEYJ 102 V (1K)	[GEN-2]
	7030003440	S.RES	ERJ3GEYJ 102 V (1K)	[GEN-3]
	7030003440	S.RES	ERJ3GEYJ 102 V (1K)	[GEN-5]
	7030003440	S.RES	ERJ3GEYJ 102 V (1K)	[KOR]
	7030003440	S.RES	ERJ3GEYJ 102 V (1K)	[EUR-1]
	7030003440	S.RES	ERJ3GEYJ 102 V (1K)	[EUR-2]
R5006	7030003680	S.RES	ERJ3GEYJ 104 V (100K)	[GEN-2]
	7030003680	S.RES	ERJ3GEYJ 104 V (100K)	[GEN-3]
	7030003680	S.RES	ERJ3GEYJ 104 V (100K)	[GEN-5]
	7030003680	S.RES	ERJ3GEYJ 104 V (100K)	[KOR]
	7030003680	S.RES	ERJ3GEYJ 104 V (100K)	[EUR-1]
	7030003680	S.RES	ERJ3GEYJ 104 V (100K)	[EUR-2]
R5007	7030003710	S.RES	ERJ3GEYJ 184 V (180K)	[GEN-2]
	7030003710	S.RES	ERJ3GEYJ 184 V (180K)	[GEN-3]
	7030003710	S.RES	ERJ3GEYJ 184 V (180K)	[GEN-5]
	7030003710	S.RES	ERJ3GEYJ 184 V (180K)	[KOR]
	7030003710	S.RES	ERJ3GEYJ 184 V (180K)	[EUR-1]
	7030003710	S.RES	ERJ3GEYJ 184 V (180K)	[EUR-2]
R5008	7030003440	S.RES	ERJ3GEYJ 102 V (1K)	[GEN-2]
	7030003440	S.RES	ERJ3GEYJ 102 V (1K)	[GEN-3]
	7030003440	S.RES	ERJ3GEYJ 102 V (1K)	[GEN-5]
	7030003440	S.RES	ERJ3GEYJ 102 V (1K)	[KOR]
	7030003440	S.RES	ERJ3GEYJ 102 V (1K)	[EUR-1]
	7030003440	S.RES	ERJ3GEYJ 102 V (1K)	[EUR-2]

M.=Mounted side (T: Mounted on the Top side, B: Mounted on the Bottom side)
S.=Surface mount

[ALARM UNIT]

REF NO.	ORDER NO.	DESCRIPTION
C5152	4030006870	S.CER C1608 JB 1H 222K-T [GEN-22]
	4030006870	S.CER C1608 JB 1H 222K-T [GEN-23]
	4030006870	S.CER C1608 JB 1H 222K-T [GEN-25]
	4030006870	S.CER C1608 JB 1H 222K-T [EUR-21]
	4030006870	S.CER C1608 JB 1H 222K-T [EUR-22]
C5153	4030010760	S.CER C1608 CH 1H 331J-T [GEN-22]
	4030010760	S.CER C1608 CH 1H 331J-T [GEN-23]
	4030010760	S.CER C1608 CH 1H 331J-T [GEN-25]
	4030010760	S.CER C1608 CH 1H 331J-T [EUR-21]
	4030010760	S.CER C1608 CH 1H 331J-T [EUR-22]
C5154	4030011600	S.CER C1608 JB 1E 104K-T [GEN-22]
	4030011600	S.CER C1608 JB 1E 104K-T [GEN-23]
	4030011600	S.CER C1608 JB 1E 104K-T [GEN-25]
	4030011600	S.CER C1608 JB 1E 104K-T [EUR-21]
	4030011600	S.CER C1608 JB 1E 104K-T [EUR-22]
C5155	4030009880	S.CER C1608 JB 1H 682K-T [GEN-22]
	4030009880	S.CER C1608 JB 1H 682K-T [GEN-23]
	4030009880	S.CER C1608 JB 1H 682K-T [GEN-25]
	4030009880	S.CER C1608 JB 1H 682K-T [EUR-21]
	4030009880	S.CER C1608 JB 1H 682K-T [EUR-22]
C5156	4030007090	S.CER C1608 CH 1H 470J-T [GEN-22]
	4030007090	S.CER C1608 CH 1H 470J-T [GEN-23]
	4030007090	S.CER C1608 CH 1H 470J-T [GEN-25]
	4030007090	S.CER C1608 CH 1H 470J-T [EUR-21]
	4030007090	S.CER C1608 CH 1H 470J-T [EUR-22]
C5157	4030011600	S.CER C1608 JB 1E 104K-T [GEN-22]
	4030011600	S.CER C1608 JB 1E 104K-T [GEN-23]
	4030011600	S.CER C1608 JB 1E 104K-T [GEN-25]
	4030011600	S.CER C1608 JB 1E 104K-T [EUR-21]
	4030011600	S.CER C1608 JB 1E 104K-T [EUR-22]
C5158	4550006250	S.TAN TEESVA 1A 106M8R [GEN-22]
	4550006250	S.TAN TEESVA 1A 106M8R [GEN-23]
	4550006250	S.TAN TEESVA 1A 106M8R [GEN-25]
	4550006250	S.TAN TEESVA 1A 106M8R [EUR-21]
	4550006250	S.TAN TEESVA 1A 106M8R [EUR-22]
C5159	4030011600	S.CER C1608 JB 1E 104K-T [GEN-22]
	4030011600	S.CER C1608 JB 1E 104K-T [GEN-23]
	4030011600	S.CER C1608 JB 1E 104K-T [GEN-25]
	4030011600	S.CER C1608 JB 1E 104K-T [EUR-21]
	4030011600	S.CER C1608 JB 1E 104K-T [EUR-22]
J5001	6510018160	S.CON 4-175643-0
J5002	6510018170	S.CON 4-175643-4

[MIC-J UNIT]

REF NO.	ORDER NO.	DESCRIPTION
J2301	6510009211	CON 14RS-8H-MI-AU(F)-1
J2302	6510018381	CON 10FE-BT-VK-N

M.=Mounted side (T: Mounted on the Top side, B: Mounted on the Bottom side)
S.=Surface mount

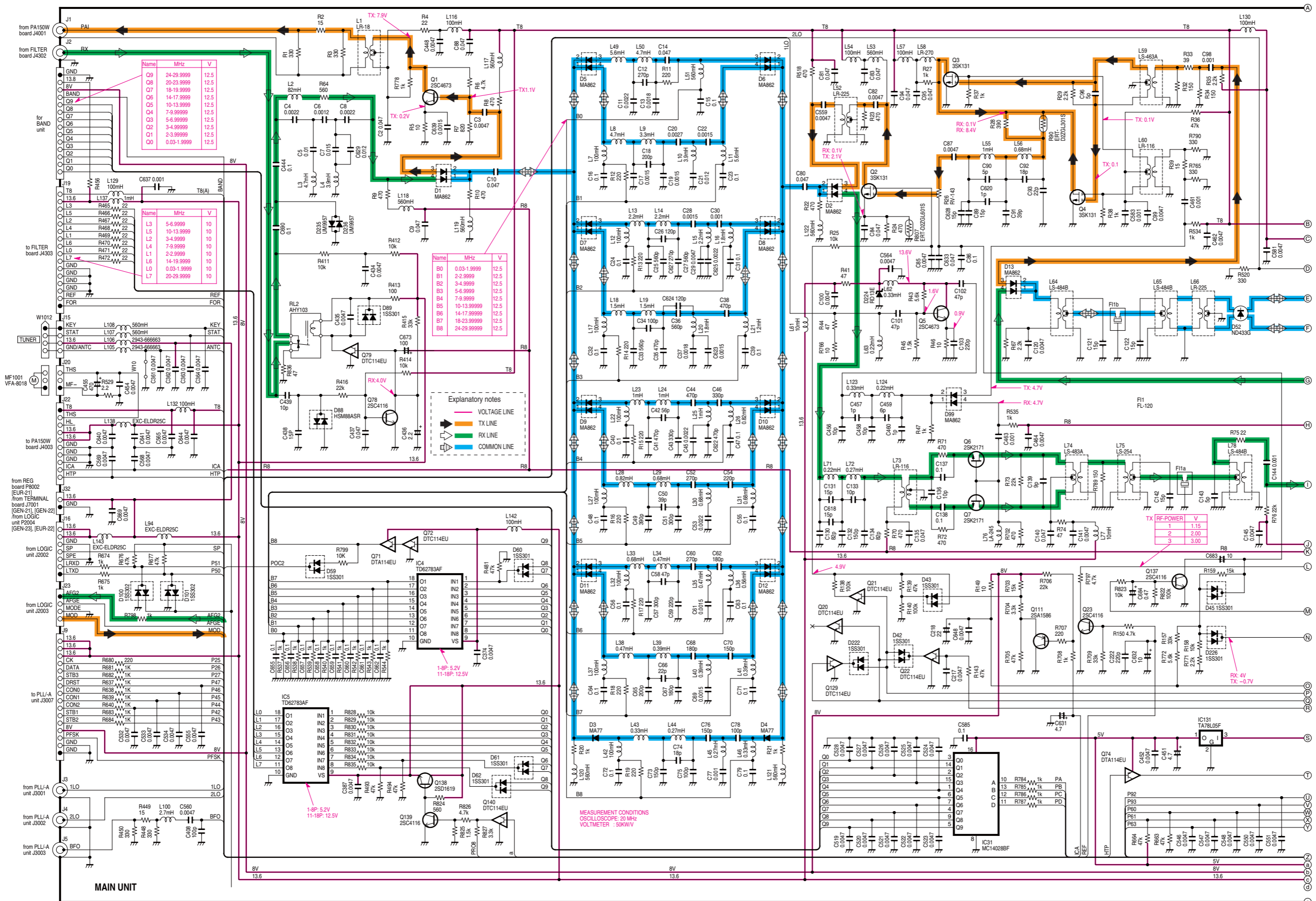
[VR1-J UNIT]

REF NO.	ORDER NO.	DESCRIPTION
R2401	7210002540	VAR TP96N937-15F-10KB-1540
J2401	6510018391	CON 06FE-BT-VK-N

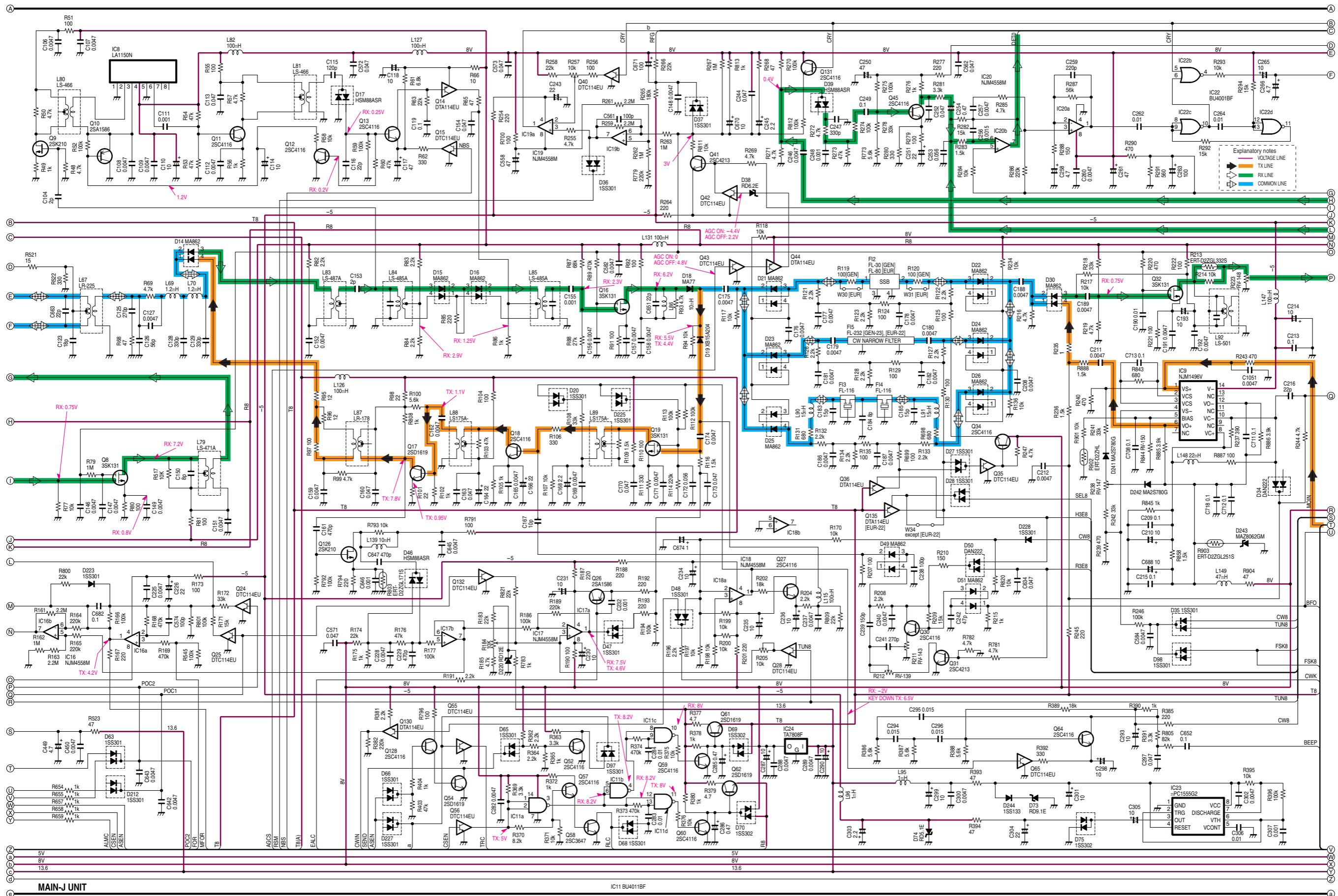
[VR2-J UNIT]

REF NO.	ORDER NO.	DESCRIPTION
R2501	7210002730	VAR TP96N944-15F-10KB-1632
J2501	6510018391	CON 06FE-BT-VK-N

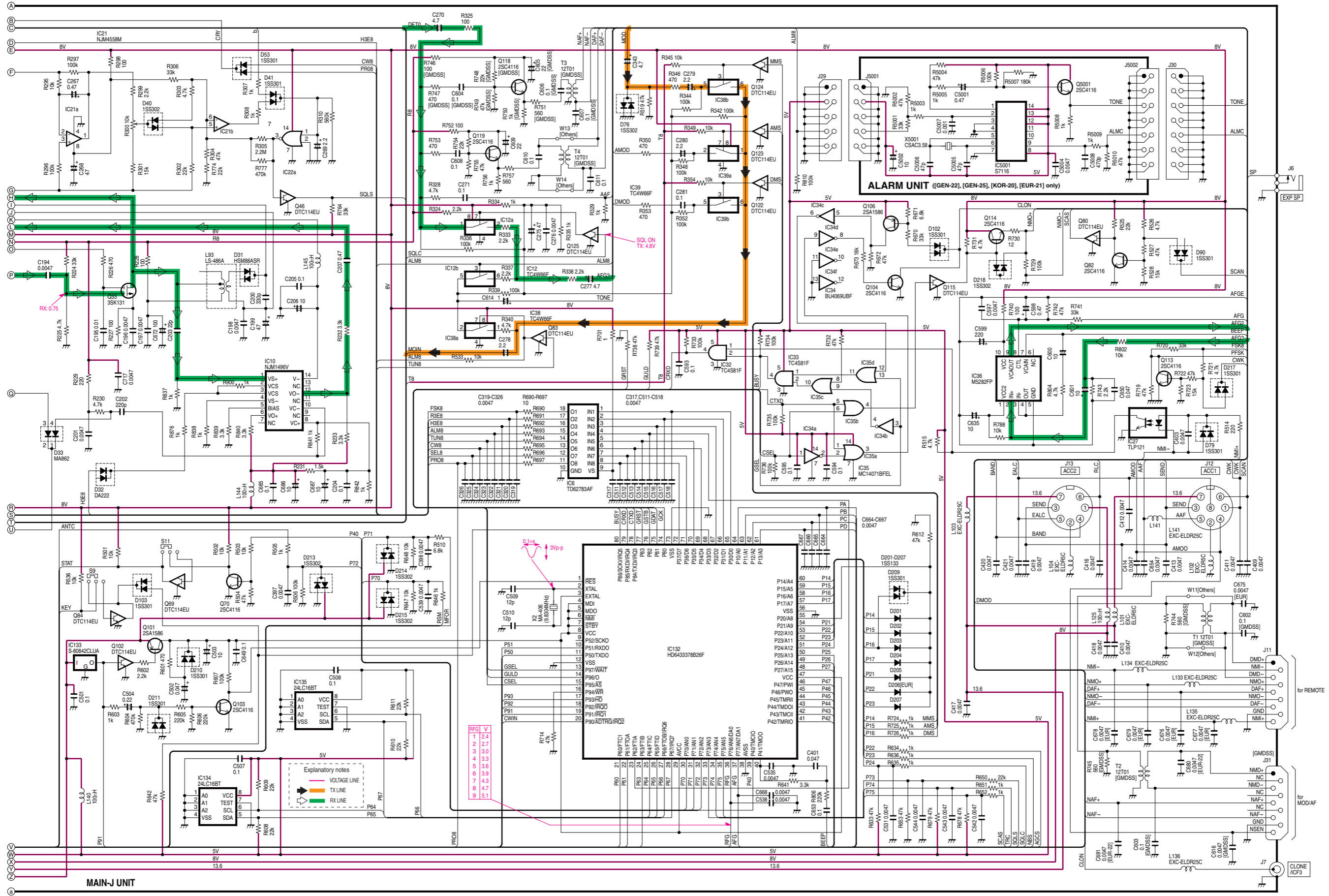
M.=Mounted side (T: Mounted on the Top side, B: Mounted on the Bottom side)
S.=Surface mount



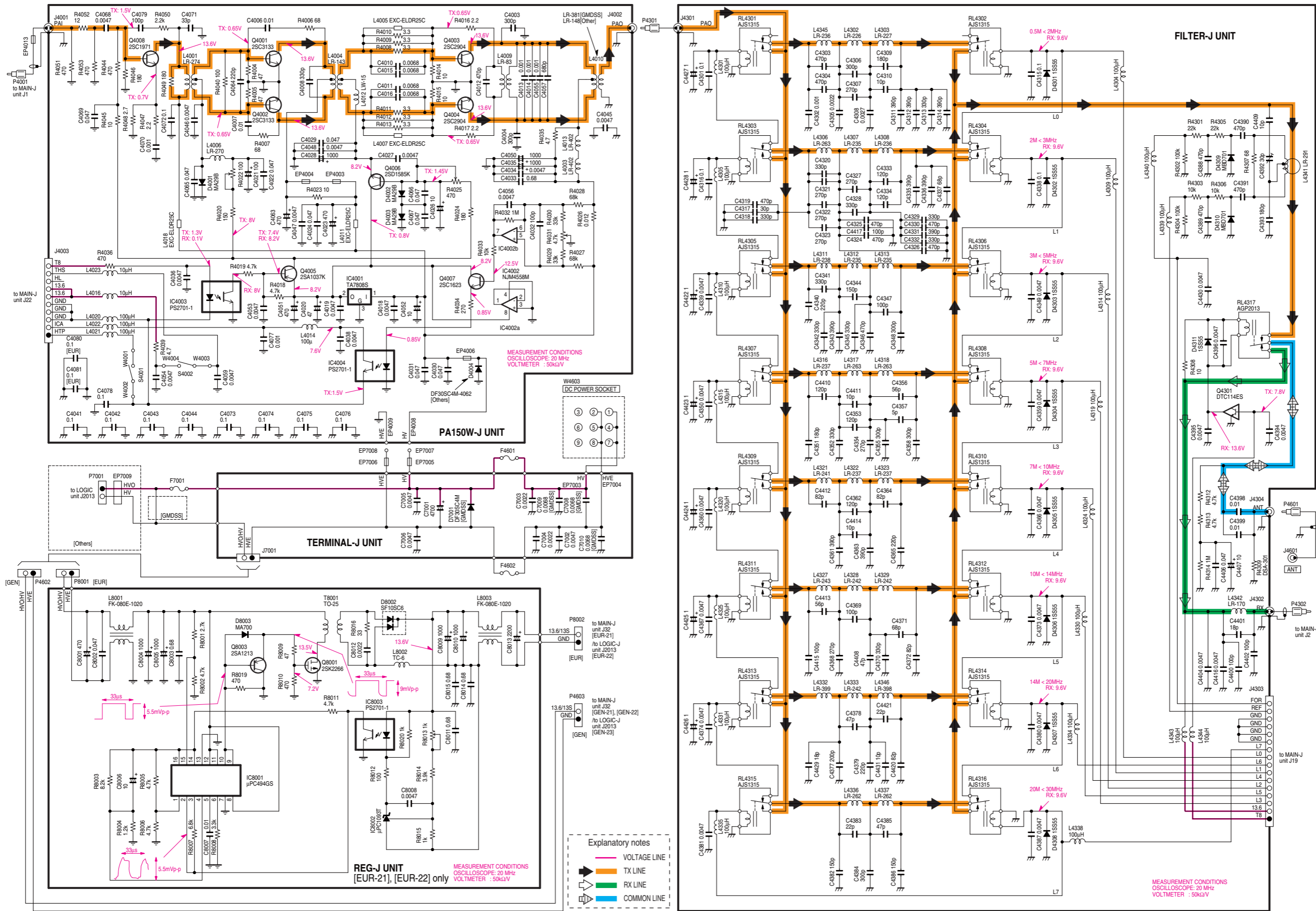
*; Refer to "PARTS LIST."



*; Refer to "PARTS LIST."



*; Refer to "PARTS LIST."



*; Refer to "PARTS LIST."

IC-M710 IC-M710K

CONTENTS

PARTS LIST	1
BOARD LAYOUTS	17
VOLTAGE DIAGRAM	23

MODEL	VERSION
IC-M710	[GEN-21]
	[GEN-22]
	[GEN-23]
	[GEN-24]
	[GEN-25]
IC-M710K	[KOR-20]
IC-M710	[CHN]
	[EUR-21]
	[EUR-22]

PARTS LIST

[LOGIC-J BOARD]

REF NO.	ORDER NO.		DESCRIPTION
WS1	8600034540	M.O	SX1632 P2002*J2002LO
WS2	8600034550	M.O	SX1632 P2003*J2003LO
WS3	8970023230	CBL	SX1632 J (1)/LO
IC2001	1140006931	S.IC	HD6433834A95FV(SX-1632SA)
IC2002	1130013870	S.IC	NJU6445FCI-#ZZZB
IC2003	1110005711	S.IC	S-80842CLUA-B63-T2G
IC2005	1180001461	S.IC	UPC78L05T-E1-AZ
IC2006	1180001451	S.IC	UPC78L08T-E1-AZ
IC2007	1110002550	IC	TA7252AP
IC2008	1110000960	S.IC	NJM4558M-TE1-#FMZB
IC2010	1130008511	S.IC	TC7W53FU(TE12L,F)
IC2011	1130003831	S.IC	TC7S04F(TE85R,F)
Q2002	1530001971	S.TRA	2SC1623-T2B-A-L6
Q2003	1130009930	TRA	2SB1274R
Q2005	1530001971	S.TRA	2SC1623-T2B-A-L6
Q2006	1530001971	S.TRA	2SC1623-T2B-A-L6
Q2007	1590001380	S.TRA	DTC114EKA T146
Q2008	1590001380	S.TRA	DTC114EKA T146
Q2009	1530001971	S.TRA	2SC1623-T2B-A-L6
Q2011	1590001380	S.TRA	DTC114EKA T146
Q2012	1590001380	S.TRA	DTC114EKA T146
Q2013	1590001380	S.TRA	DTC114EKA T146
D2001	1750000021	S.DIO	1SS184(TE85R,F)
D2002	1730000831	S.ZEN	RD9.1M-T2B-A B1
D2003	1750000021	S.DIO	1SS184(TE85R,F)
D2004	1750000021	S.DIO	1SS184(TE85R,F)
D2005	1750000021	S.DIO	1SS184(TE85R,F)
D2006	1750000021	S.DIO	1SS184(TE85R,F)
D2007	1750000021	S.DIO	1SS184(TE85R,F)
D2008	1750000021	S.DIO	1SS184(TE85R,F)
D2009	1750000021	S.DIO	1SS184(TE85R,F)
D2010	1750000021	S.DIO	1SS184(TE85R,F)
X2001	6050009450	XTA	CR-513 AT-49 9.8304 MHz
L2002	6910000670	COI	BL01RN1A1D2B (BL01RN1-A62)
L2003	6910000670	COI	BL01RN1A1D2B (BL01RN1-A62)
L2004	6200003261	S.COI	NLV32T-101J
L2005	6910000670	COI	BL01RN1A1D2B (BL01RN1-A62)
L2006	6200003261	S.COI	NLV32T-101J
L2007	6200003261	S.COI	NLV32T-101J
L2008	6200003261	S.COI	NLV32T-101J
L2009	6200003261	S.COI	NLV32T-101J
L2010	6170000140	COI	LW-15
R2003	7030000520	S.RES	MCR10EZHZ 15 K (153)
R2005	7030000400	S.RES	MCR10EZHZ 1.5K (152)
R2007	7030000430	S.RES	MCR10EZHZ 2.7K (272)
R2009	7030000580	S.RES	MCR10EZHZ 47 K (473)
R2011	7030000580	S.RES	MCR10EZHZ 47 K (473)
R2012	7030000740	S.RES	MCR10EZHZ 1 M (105)
R2013	7030000580	S.RES	MCR10EZHZ 47 K (473)
R2014	7030000580	S.RES	MCR10EZHZ 47 K (473)
R2015	7030000380	S.RES	MCR10EZHZ 1 K (102)
R2016	7030000380	S.RES	MCR10EZHZ 1 K (102)
R2017	7030000620	S.RES	MCR10EZHZ 100 K (104)
R2018	7030000380	S.RES	MCR10EZHZ 1 K (102)
R2019	7030000700	S.RES	MCR10EZHZ 470 K (474)
R2020	7030000660	S.RES	MCR10EZHZ 220 K (224)
R2021	7030000660	S.RES	MCR10EZHZ 220 K (224)
R2022	7030000620	S.RES	MCR10EZHZ 100 K (104)
R2024	7030000010	S.RES	MCR10EZHZ JPW (000)
R2039	7030000580	S.RES	MCR10EZHZ 47 K (473)
R2040	7030000560	S.RES	MCR10EZHZ 33 K (333)
R2041	7030000460	S.RES	MCR10EZHZ 4.7K (472)
R2042	7030000580	S.RES	MCR10EZHZ 47 K (473)
R2043	7030000520	S.RES	MCR10EZHZ 15 K (153)
R2044	7030000500	S.RES	MCR10EZHZ 10 K (103)
R2045	7030000500	S.RES	MCR10EZHZ 10 K (103)
R2046	7030000500	S.RES	MCR10EZHZ 10 K (103)
R2047	7030000470	S.RES	MCR10EZHZ 5.6K (562)
R2048	7030000380	S.RES	MCR10EZHZ 1 K (102)
R2049	7030000580	S.RES	MCR10EZHZ 47 K (473)
R2054	7010003241	RES	PSD1/4V 47
R2055	7030000500	S.RES	MCR10EZHZ 10 K (103)
R2056	7030000020	S.RES	MCR10EZHZ 1 (010)
R2057	7030000380	S.RES	MCR10EZHZ 1 K (102)
R2058	7010003101	RES	PSD1/4V 3.3
R2061	7030000260	S.RES	MCR10EZHZ 100 (101)
R2062	7030000440	S.RES	MCR10EZHZ 3.3K (332)
R2063	7030000300	S.RES	MCR10EZHZ 220 (221)
R2064	7030000610	S.RES	MCR10EZHZ 82 K (823)
R2065	7030000620	S.RES	MCR10EZHZ 100 K (104)
R2066	7310004980	TRI	KVSF639AC 103 10K
R2067	7030000540	S.RES	MCR10EZHZ 22 K (223)
R2068	7030000610	S.RES	MCR10EZHZ 82 K (823)
R2069	7030000380	S.RES	MCR10EZHZ 1 K (102)
R2070	7310004960	TRI	KVSF639AC 104 100K
R2071	7030000400	S.RES	MCR10EZHZ 1.5K (152)

[LOGIC-J BOARD]

REF NO.	ORDER NO.		DESCRIPTION
R2072	7030000360	S.RES	MCR10EZHZ 680 (681)
R2073	7030000340	S.RES	MCR10EZHZ 470 (471)
R2077	7030000530	S.RES	MCR10EZHZ 18 K (183)
R2078	7030000500	S.RES	MCR10EZHZ 10 K (103)
R2079	7030000530	S.RES	MCR10EZHZ 18 K (183)
R2080	7030000500	S.RES	MCR10EZHZ 10 K (103)
R2081	7030000530	S.RES	MCR10EZHZ 18 K (183)
R2082	7030000500	S.RES	MCR10EZHZ 10 K (103)
R2083	7030000530	S.RES	MCR10EZHZ 18 K (183)
R2084	7030000530	S.RES	MCR10EZHZ 18 K (183)
R2085	7030000580	S.RES	MCR10EZHZ 47 K (473)
R2086	7030000540	S.RES	MCR10EZHZ 22 K (223)
R2087	7030000520	S.RES	MCR10EZHZ 15 K (153)
R2088	7030000580	S.RES	MCR10EZHZ 47 K (473)
R2090	7030000240	S.RES	MCR10EZHZ 68 (680)
W2012	7030000010	S.RES	MCR10EZHZ JPW (000)
W2013	7030000010	S.RES	MCR10EZHZ JPW (000)
W2014	7030000010	S.RES	MCR10EZHZ JPW (000)
W2015	7030000010	S.RES	MCR10EZHZ JPW (000)
W2018	7030000010	S.RES	MCR10EZHZ JPW (000)
C2002	4030004740	S.CER	C2012 JB 1H 472K-T
C2003	4030004740	S.CER	C2012 JB 1H 472K-T
C2004	4030004740	S.CER	C2012 JB 1H 472K-T
C2005	4030004880	S.CER	C2012 CH 1H 120J-T
C2006	4030004880	S.CER	C2012 CH 1H 120J-T
C2007	4030004750	S.CER	C2012 JB 1H 103K-T
C2008	4310000520	MYL	50 F2D 224J
C2009	4030004750	S.CER	C2012 JB 1H 103K-T
C2012	4510005150	ELE	50 ME 10 HC
C2013	4030004740	S.CER	C2012 JB 1H 472K-T
C2014	4030004740	S.CER	C2012 JB 1H 472K-T
C2015	4030004740	S.CER	C2012 JB 1H 472K-T
C2016	4030004740	S.CER	C2012 JB 1H 472K-T
C2017	4030004740	S.CER	C2012 JB 1H 472K-T
C2018	4030004740	S.CER	C2012 JB 1H 472K-T
C2019	4030004740	S.CER	C2012 JB 1H 472K-T
C2020	4510004601	ELE	16 ME 1000 HC
C2021	4030004740	S.CER	C2012 JB 1H 472K-T
C2022	4510007480	ELE	16 ME 470 CA
C2023	4030008960	S.CER	C2012 JB 1C 104K-T
C2024	4510005120	ELE	16 ME 47 HC
C2025	4510004990	ELE	16 ME 100 HC
C2026	4510005120	ELE	16 ME 47 HC
C2027	4030004740	S.CER	C2012 JB 1H 472K-T
C2028	4510008400	ELE	25 ME 22 HC
C2029	4510008400	ELE	25 ME 22 HC
C2030	4030004740	S.CER	C2012 JB 1H 472K-T
C2031	4510005490	ELE	50 ME 2R2 HC
C2032	4510005481	ELE	50 ME 1 HC
C2033	4510005481	ELE	50 ME 1 HC
C2034	4510008410	ELE	25 ME 4R7 HC
C2035	4510008410	ELE	25 ME 4R7 HC
C2036	4510005120	ELE	16 ME 47 HC
C2037	4510008410	ELE	25 ME 4R7 HC
C2038	4510005500	ELE	16 ME 10 HC
C2039	4030004740	S.CER	C2012 JB 1H 472K-T
C2040	4510005120	ELE	16 ME 47 HC
C2041	4030004740	S.CER	C2012 JB 1H 472K-T
C2042	4510005120	ELE	16 ME 47 HC
C2043	4030004740	S.CER	C2012 JB 1H 472K-T
C2044	4510005500	ELE	16 ME 10 HC
C2049	4030008960	S.CER	C2012 JB 1C 104K-T
C2050	4030008960	S.CER	C2012 JB 1C 104K-T
C2060	4310000480	MYL	50 F2D 104J
C2071	4030008960	S.CER	C2012 JB 1C 104K-T
C2072	4030008960	S.CER	C2012 JB 1C 104K-T
C2073	4030008960	S.CER	C2012 JB 1C 104K-T
C2074	4030008960	S.CER	C2012 JB 1C 104K-T
RL2001	6330001330	REL	AG 201344
J2007	6510003391	CON	B03B-EH-S(LF)(SN)
J2008	6510018381	CON	10FE-BT-VK-N
J2009	6510018391	CON	06FE-BT-VK-N
J2010	6510018391	CON	06FE-BT-VK-N
J2011	6510018391	CON	06FE-BT-VK-N
J2012	6510018391	CON	06FE-BT-VK-N
J2013	6510010021	CON	RTB-1.5-2F(LF)
J2014	6510010021	CON	RTB-1.5-2F(LF)
DS2001	5080000306	LAM	HRT-3290A-F-PF
DS2002	5080000306	LAM	HRT-3290A-F-PF
DS2003	5080000306	LAM	HRT-3290A-F-PF
DS2004	5010000180	LCD	DLC-7978P(HTN)
S2003	2260002230	SWI	SW-158 (SKHHPM)
S2004	2260002230	SWI	SW-158 (SKHHPM)
S2005	2260002230	SWI	SW-158 (SKHHPM)
S2006	2260002230	SWI	SW-158 (SKHHPM)
S2007	2260002230	SWI	SW-158 (SKHHPM)

S.=Surface mount

[LOGIC-J BOARD]

REF NO.	ORDER NO.	DESCRIPTION
S2008	2260002230	SWI SW-158 (SKHHPM)
S2009	2260002230	SWI SW-158 (SKHHPM)
S2010	2260002230	SWI SW-158 (SKHHPM)
S2011	2260002230	SWI SW-158 (SKHHPM)
S2012	2260002230	SWI SW-158 (SKHHPM)
S2013	2260002230	SWI SW-158 (SKHHPM)
S2014	2260002230	SWI SW-158 (SKHHPM)
S2015	2260002230	SWI SW-158 (SKHHPM)
S2016	2260002230	SWI SW-158 (SKHHPM)
S2017	2260002230	SWI SW-158 (SKHHPM)
S2018	2260002230	SWI SW-158 (SKHHPM)
S2019	2260002230	SWI SW-158 (SKHHPM)
S2020	2260002230	SWI SW-158 (SKHHPM)
S2021	2260002230	SWI SW-158 (SKHHPM)
S2022	2260002230	SWI SW-158 (SKHHPM)
S2023	2260002230	SWI SW-158 (SKHHPM)
S2024	2260002230	SWI SW-158 (SKHHPM)
S2025	2260002230	SWI SW-158 (SKHHPM)
S2026	2260002230	SWI SW-158 (SKHHPM)
S2027	2260002230	SWI SW-158 (SKHHPM)

[SENSOR1-J BOARD]

REF NO.	ORDER NO.	DESCRIPTION
J2601	6510018391	CON 06FE-BT-VK-N
S2601	2260002430	SWI SW-165 (SRBM1L)

[SENSOR2-J BOARD]

REF NO.	ORDER NO.	DESCRIPTION
J2701	6510018391	CON 06FE-BT-VK-N
S2701	2260002430	SWI SW-165 (SRBM1L)

[MAIN-J UNIT]

REF NO.	ORDER NO.	DESCRIPTION
IC4	1160000131	S.IC TD62783AFG(5,S,EL)
IC5	1160000131	S.IC TD62783AFG(5,S,EL)
IC6	1160000131	S.IC TD62783AFG(5,S,EL)
IC8	1110003141	IC LA1150N-E
IC9	1110004840	S.IC NJM1496V-TE1-#ZZZB
IC10	1110004840	S.IC NJM1496V-TE1-#ZZZB
IC11	1130011190	S.IC BU4011BF-E2
IC12	1140003831	S.IC TC4W66F(TE12L,F) [GEN-21]
	1140003831	S.IC TC4W66F(TE12L,F) [GEN-22]
	1140003830	S.IC TC4W66F(TE12L) [GEN-25]
	1140003831	S.IC TC4W66F(TE12L,F) [CHN]
	1140003831	S.IC TC4W66F(TE12L,F) [EUR-21]
IC16	1110000960	S.IC NJM4558M-TE1-#FMZB
IC17	1110000960	S.IC NJM4558M-TE1-#FMZB
IC18	1110000960	S.IC NJM4558M-TE1-#FMZB
IC19	1110000960	S.IC NJM4558M-TE1-#FMZB
IC20	1110000960	S.IC NJM4558M-TE1-#FMZB
IC21	1110000960	S.IC NJM4558M-TE1-#FMZB
IC22	1130011170	S.IC BU4001BF-E2
IC23	1110001401	S.IC UPC1555G2-E1-A
IC24	1180001251	S.IC TA7808F(TE16L,Q) [GEN-21]
	1180001251	S.IC TA7808F(TE16L,Q) [GEN-22]
	1180001250	S.IC TA7808F(TE16L) [GEN-25]
	1180001251	S.IC TA7808F(TE16L,Q) [CHN]
	1180001251	S.IC TA7808F(TE16L,Q) [EUR-21]
IC27	1170000281	S.IC TLP121(GB-TPL,F)
IC31	1130013520	S.IC CD4028BNSR
IC32	1130003761	S.IC TC4S81F(TE85R,F) [GEN-21]
	1130003761	S.IC TC4S81F(TE85R,F) [GEN-22]
	1130003760	S.IC TC4S81F(TE85R) [GEN-25]
	1130003761	S.IC TC4S81F(TE85R,F) [CHN]
	1130003761	S.IC TC4S81F(TE85R,F) [EUR-21]
IC33	1130003761	S.IC TC4S81F(TE85R,F) [GEN-21]
	1130003761	S.IC TC4S81F(TE85R,F) [GEN-22]
	1130003760	S.IC TC4S81F(TE85R) [GEN-25]
	1130003761	S.IC TC4S81F(TE85R,F) [CHN]
	1130003761	S.IC TC4S81F(TE85R,F) [EUR-21]
IC34	1130011200	S.IC BU4069UBF-E2
IC35	1130013470	S.IC CD4071BNSR
IC36	1110003300	S.IC M5282FP 70CD
IC38	1140003831	S.IC TC4W66F(TE12L,F) [GEN-21]
	1140003831	S.IC TC4W66F(TE12L,F) [GEN-22]
	1140003830	S.IC TC4W66F(TE12L) [GEN-25]
	1140003831	S.IC TC4W66F(TE12L,F) [CHN]
	1140003831	S.IC TC4W66F(TE12L,F) [EUR-21]
IC39	1140003831	S.IC TC4W66F(TE12L,F) [GEN-21]
	1140003831	S.IC TC4W66F(TE12L,F) [GEN-22]
	1140003830	S.IC TC4W66F(TE12L) [GEN-25]
	1140003831	S.IC TC4W66F(TE12L,F) [CHN]
	1140003831	S.IC TC4W66F(TE12L,F) [EUR-21]
IC131	1180000421	S.IC TA78L05F(TE12R,F)
IC132	1140006941	S.IC HD6433378B26FV(SX-1632A)
IC133	1110005711	S.IC S-80842CLUA-B63-T2G
IC134	1130007291	S.IC 24LC16BT-I/SNG
IC135	1130007291	S.IC 24LC16BT-I/SNG
Q1	1530003151	S.TRA 2SC4673D-TD-E
Q2	1580000620	S.FET 3SK131-T2 MAS
Q3	1580000620	S.FET 3SK131-T2 MAS
Q4	1580000620	S.FET 3SK131-T2 MAS
Q5	1530003151	S.TRA 2SC4673D-TD-E
Q6	1560000721	S.FET 2SK2171-4-TD-E
Q7	1560000721	S.FET 2SK2171-4-TD-E
Q8	1580000620	S.FET 3SK131-T2 MAS
Q9	1560000331	S.FET 2SK210-GR(TE85R,F)
Q10	1510000771	S.TRA 2SA1586-GR(TE85L,F) [GEN-21]
	1510000771	S.TRA 2SA1586-GR(TE85L,F) [GEN-22]
	1510000770	S.TRA 2SA1586-GR(TE85R) [GEN-25]
	1510000771	S.TRA 2SA1586-GR(TE85L,F) [CHN]
	1510000771	S.TRA 2SA1586-GR(TE85L,F) [EUR-21]
Q11	1530002691	S.TRA 2SC4116-GR(TE85R,F) [GEN-21]
	1530002691	S.TRA 2SC4116-GR(TE85R,F) [GEN-22]
	1530002690	S.TRA 2SC4116-GR(TE85R) [GEN-25]
	1530002691	S.TRA 2SC4116-GR(TE85R,F) [CHN]
	1530002691	S.TRA 2SC4116-GR(TE85R,F) [EUR-21]
Q12	1530002691	S.TRA 2SC4116-GR(TE85R,F) [GEN-21]
	1530002691	S.TRA 2SC4116-GR(TE85R,F) [GEN-22]
	1530002690	S.TRA 2SC4116-GR(TE85R) [GEN-25]
	1530002691	S.TRA 2SC4116-GR(TE85R,F) [CHN]
	1530002691	S.TRA 2SC4116-GR(TE85R,F) [EUR-21]
Q13	1530002691	S.TRA 2SC4116-GR(TE85R,F) [GEN-21]
	1530002691	S.TRA 2SC4116-GR(TE85R,F) [GEN-22]
	1530002690	S.TRA 2SC4116-GR(TE85R) [GEN-25]
	1530002691	S.TRA 2SC4116-GR(TE85R,F) [CHN]
	1530002691	S.TRA 2SC4116-GR(TE85R,F) [EUR-21]
Q14	1590001330	S.TRA DTA114EUA T106
Q15	1590000680	S.TRA DTC114EUA T106
Q16	1580000620	S.FET 3SK131-T2 MAS
Q17	1540000441	S.TRA 2SD1619T-TD-E
Q18	1530002691	S.TRA 2SC4116-GR(TE85R,F) [GEN-21]
	1530002691	S.TRA 2SC4116-GR(TE85R,F) [GEN-22]
	1530002690	S.TRA 2SC4116-GR(TE85R) [GEN-25]
	1530002691	S.TRA 2SC4116-GR(TE85R,F) [CHN]
	1530002691	S.TRA 2SC4116-GR(TE85R,F) [EUR-21]
Q19	1580000620	S.FET 3SK131-T2 MAS
Q20	1590000680	S.TRA DTC114EUA T106
Q21	1590000680	S.TRA DTC114EUA T106
Q22	1590000680	S.TRA DTC114EUA T106
Q23	1530002691	S.TRA 2SC4116-GR(TE85R,F) [GEN-21]
	1530002691	S.TRA 2SC4116-GR(TE85R,F) [GEN-22]
	1530002690	S.TRA 2SC4116-GR(TE85R) [GEN-25]
	1530002691	S.TRA 2SC4116-GR(TE85R,F) [CHN]
	1530002691	S.TRA 2SC4116-GR(TE85R,F) [EUR-21]

S.=Surface mount

[MAIN-J UNIT]

REF NO.	ORDER NO.	DESCRIPTION
L139	6200001831	S.COI NLV32T-100J
L140	6200003261	S.COI NLV32T-101J
L141	2040000490	COI EXC-ELDR25C
L142	6180000900	COI LAL 03NA 101K
L143	2040000490	COI EXC-ELDR25C
L144	6200003261	S.COI NLV32T-101J
L145	6200003261	S.COI NLV32T-101J
L147	6200003261	S.COI NLV32T-101J
L148	6200001711	S.COI NLV32T-220J
L149	6200003191	S.COI NLV32T-470J
R1	7030003380	S.RES ERJ3GEYJ 331 V (330)
R2	7010003181	RES PSD1/4V 15
R3	7030003380	S.RES ERJ3GEYJ 331 V (330)
R4	7010003201	RES PSD1/4V 22
R5	7030003200	S.RES ERJ3GEYJ 100 V (10)
R6	7030003520	S.RES ERJ3GEYJ 472 V (4.7K)
R7	7010007090	RES PSD1/4V 820
R8	7030003400	S.RES ERJ3GEYJ 471 V (470)
R9	7030003400	S.RES ERJ3GEYJ 471 V (470)
R10	7030003400	S.RES ERJ3GEYJ 471 V (470)
R11	7030003360	S.RES ERJ3GEYJ 221 V (220)
R12	7030003360	S.RES ERJ3GEYJ 221 V (220)
R13	7030003360	S.RES ERJ3GEYJ 221 V (220)
R14	7030003360	S.RES ERJ3GEYJ 221 V (220)
R15	7030003360	S.RES ERJ3GEYJ 221 V (220)
R16	7030003360	S.RES ERJ3GEYJ 221 V (220)
R17	7030003360	S.RES ERJ3GEYJ 221 V (220)
R18	7030003360	S.RES ERJ3GEYJ 221 V (220)
R19	7030003360	S.RES ERJ3GEYJ 221 V (220)
R20	7030003440	S.RES ERJ3GEYJ 102 V (1K)
R21	7030003440	S.RES ERJ3GEYJ 102 V (1K)
R22	7030003400	S.RES ERJ3GEYJ 471 V (470)
R23	7030003400	S.RES ERJ3GEYJ 471 V (470)
R24	7030003400	S.RES ERJ3GEYJ 471 V (470)
R25	7030003560	S.RES ERJ3GEYJ 103 V (10K)
R26	7310005110	S.TRI RH03ADCS2X (470)
R27	7030003440	S.RES ERJ3GEYJ 102 V (1K)
R28	7010003351	RES PSD1/4V 390
R29	7030003480	S.RES ERJ3GEYJ 222 V (2.2K)
R32	7030003340	S.RES ERJ3GEYJ 151 V (150)
R33	7010003231	RES PSD1/4V 39
R34	7030003340	S.RES ERJ3GEYJ 151 V (150)
R35	7030003480	S.RES ERJ3GEYJ 222 V (2.2K)
R36	7030003640	S.RES ERJ3GEYJ 473 V (47K)
R37	7030003440	S.RES ERJ3GEYJ 102 V (1K)
R38	7030003440	S.RES ERJ3GEYJ 102 V (1K)
R39	7010003181	RES PSD1/4V 15
R41	7010003241	RES PSD1/4V 47
R43	7030003530	S.RES ERJ3GEYJ 562 V (5.6K)
R44	7030003280	S.RES ERJ3GEYJ 470 V (47)
R45	7030003460	S.RES ERJ3GEYJ 152 V (1.5K)
R46	7030003200	S.RES ERJ3GEYJ 100 V (10)
R47	7030003440	S.RES ERJ3GEYJ 102 V (1K)
R48	7030003520	S.RES ERJ3GEYJ 472 V (4.7K)
R49	7030003440	S.RES ERJ3GEYJ 102 V (1K)
R50	7030003520	S.RES ERJ3GEYJ 472 V (4.7K)
R51	7030003320	S.RES ERJ3GEYJ 101 V (100)
R52	7030003680	S.RES ERJ3GEYJ 104 V (100K)
R53	7030003640	S.RES ERJ3GEYJ 473 V (47K)
R54	7030003640	S.RES ERJ3GEYJ 473 V (47K)
R55	7030003320	S.RES ERJ3GEYJ 101 V (100)
R56	7030003440	S.RES ERJ3GEYJ 102 V (1K)
R57	7030003520	S.RES ERJ3GEYJ 472 V (4.7K)
R58	7030003560	S.RES ERJ3GEYJ 103 V (10K)
R59	7010007020	RES PSD1/4 100 K
R60	7030003640	S.RES ERJ3GEYJ 473 V (47K)
R61	7030003540	S.RES ERJ3GEYJ 682 V (6.8K)
R62	7030003380	S.RES ERJ3GEYJ 331 V (330)
R63	7030003600	S.RES ERJ3GEYJ 223 V (22K)
R64	7030006521	S.RES ERA3YED 561V (560)
R65	7030003280	S.RES ERJ3GEYJ 470 V (47)
R66	7030003200	S.RES ERJ3GEYJ 100 V (10)
R67	7030003480	S.RES ERJ3GEYJ 222 V (2.2K)
R68	7030003280	S.RES ERJ3GEYJ 470 V (47)
R69	7030003520	S.RES ERJ3GEYJ 472 V (4.7K)
R70	7030003400	S.RES ERJ3GEYJ 471 V (470)
R71	7030003400	S.RES ERJ3GEYJ 471 V (470)
R72	7030003400	S.RES ERJ3GEYJ 471 V (470)
R73	7030003600	S.RES ERJ3GEYJ 223 V (22K)
R74	7030003280	S.RES ERJ3GEYJ 470 V (47)
R75	7010003201	RES PSD1/4V 22
R76	7030003600	S.RES ERJ3GEYJ 223 V (22K)
R77	7030003560	S.RES ERJ3GEYJ 103 V (10K)
R79	7030003800	S.RES ERJ3GEYJ 105 V (1M)
R80	7030003320	S.RES ERJ3GEYJ 101 V (100)
R81	7030003320	S.RES ERJ3GEYJ 101 V (100)
R82	7030003480	S.RES ERJ3GEYJ 222 V (2.2K)
R83	7030003480	S.RES ERJ3GEYJ 222 V (2.2K)
R84	7030003480	S.RES ERJ3GEYJ 222 V (2.2K)
R85	7030003360	S.RES ERJ3GEYJ 221 V (220)
R86	7030003440	S.RES ERJ3GEYJ 102 V (1K)
R87	7030003660	S.RES ERJ3GEYJ 683 V (68K)
R88	7030003610	S.RES ERJ3GEYJ 273 V (27K)
R89	7030003760	S.RES ERJ3GEYJ 474 V (470K)
R90	7510000290	THE ERT-D2ZGL 301S
R91	7030003320	S.RES ERJ3GEYJ 101 V (100)
R92	7030003320	S.RES ERJ3GEYJ 101 V (100)
R94	7030003560	S.RES ERJ3GEYJ 103 V (10K)
R95	7010003171	RES PSD1/4V 12
R96	7010003171	RES PSD1/4V 12
R97	7030003320	S.RES ERJ3GEYJ 101 V (100)
R98	7010003201	RES PSD1/4V 22

[MAIN-J UNIT]

REF NO.	ORDER NO.	DESCRIPTION
R99	7030003520	S.RES ERJ3GEYJ 472 V (4.7K)
R100	7030003530	S.RES ERJ3GEYJ 562 V (5.6K)
R101	7010003201	RES PSD1/4V 22
R102	7030003440	S.RES ERJ3GEYJ 102 V (1K)
R103	7030003640	S.RES ERJ3GEYJ 473 V (47K)
R104	7030003320	S.RES ERJ3GEYJ 101 V (100)
R105	7030003440	S.RES ERJ3GEYJ 102 V (1K)
R106	7030003380	S.RES ERJ3GEYJ 331 V (330)
R107	7030003560	S.RES ERJ3GEYJ 103 V (10K)
R108	7030003620	S.RES ERJ3GEYJ 333 V (33K)
R109	7030003460	S.RES ERJ3GEYJ 152 V (1.5K)
R110	7030003320	S.RES ERJ3GEYJ 101 V (100)
R111	7030003380	S.RES ERJ3GEYJ 331 V (330)
R112	7030003680	S.RES ERJ3GEYJ 104 V (100K)
R113	7030003680	S.RES ERJ3GEYJ 104 V (100K)
R114	7030003720	S.RES ERJ3GEYJ 224 V (220K)
R116	7030003460	S.RES ERJ3GEYJ 152 V (1.5K)
R117	7030003560	S.RES ERJ3GEYJ 103 V (10K)
R118	7030003560	S.RES ERJ3GEYJ 103 V (10K)
R119	7030003320	S.RES ERJ3GEYJ 101 V (100)
	7030003320	S.RES ERJ3GEYJ 101 V (100)
	7030003320	S.RES ERJ3GEYJ 101 V (100)
R120	7030003320	S.RES ERJ3GEYJ 101 V (100)
	7030003320	S.RES ERJ3GEYJ 101 V (100)
	7030003320	S.RES ERJ3GEYJ 101 V (100)
	7030003320	S.RES ERJ3GEYJ 101 V (100)
	7030003320	S.RES ERJ3GEYJ 101 V (100)
R121	7030003480	S.RES ERJ3GEYJ 222 V (2.2K)
R122	7030003480	S.RES ERJ3GEYJ 222 V (2.2K)
R123	7030003480	S.RES ERJ3GEYJ 222 V (2.2K)
R124	7030003320	S.RES ERJ3GEYJ 101 V (100)
R125	7030003320	S.RES ERJ3GEYJ 101 V (100)
R126	7030003480	S.RES ERJ3GEYJ 222 V (2.2K)
R127	7030003480	S.RES ERJ3GEYJ 222 V (2.2K)
R128	7030003480	S.RES ERJ3GEYJ 222 V (2.2K)
R129	7030003320	S.RES ERJ3GEYJ 101 V (100)
R130	7030003320	S.RES ERJ3GEYJ 101 V (100)
R131	7010003381	RES PSD1/4V 680
R132	7030003480	S.RES ERJ3GEYJ 222 V (2.2K)
R133	7030003480	S.RES ERJ3GEYJ 222 V (2.2K)
R134	7030003480	S.RES ERJ3GEYJ 222 V (2.2K)
R135	7030003320	S.RES ERJ3GEYJ 101 V (100)
R136	7030003560	S.RES ERJ3GEYJ 103 V (10K)
R138	7030003680	S.RES ERJ3GEYJ 104 V (100K)
R139	7030003640	S.RES ERJ3GEYJ 473 V (47K)
R140	7030003680	S.RES ERJ3GEYJ 104 V (100K)
R143	7030003640	S.RES ERJ3GEYJ 473 V (47K)
R149	7030003200	S.RES ERJ3GEYJ 100 V (10)
R150	7010004272	RES PSD1/4 4.7K
R157	7030003620	S.RES ERJ3GEYJ 333 V (33K)
R158	7030003560	S.RES ERJ3GEYJ 103 V (10K)
R159	7010004342	RES PSD1/4 15 K
R161	7030003840	S.RES ERJ3GEYJ 225 V (2.2M)
R162	7030003800	S.RES ERJ3GEYJ 105 V (1M)
R163	7030003840	S.RES ERJ3GEYJ 225 V (2.2M)
R164	7030003720	S.RES ERJ3GEYJ 224 V (220K)
R165	7030003720	S.RES ERJ3GEYJ 224 V (220K)
R166	7030003680	S.RES ERJ3GEYJ 104 V (100K)
R167	7030003360	S.RES ERJ3GEYJ 221 V (220)
R168	7030003760	S.RES ERJ3GEYJ 474 V (470K)
R169	7030003760	S.RES ERJ3GEYJ 474 V (470K)
R170	7030003560	S.RES ERJ3GEYJ 103 V (10K)
R171	7010007160	RES PSD1/4V 15 K
R172	7030003620	S.RES ERJ3GEYJ 333 V (33K)
R173	7030003320	S.RES ERJ3GEYJ 101 V (100)
R174	7030003600	S.RES ERJ3GEYJ 223 V (22K)
R175	7030003440	S.RES ERJ3GEYJ 102 V (1K)
R176	7030003640	S.RES ERJ3GEYJ 473 V (47K)
R177	7030003680	S.RES ERJ3GEYJ 104 V (100K)
R183	7030003600	S.RES ERJ3GEYJ 223 V (22K)
R184	7310005540	S.TRI TMC3ADC14X (10K)
R185	7030003520	S.RES ERJ3GEYJ 472 V (4.7K)
R186	7030003680	S.RES ERJ3GEYJ 104 V (100K)
R187	7030003360	S.RES ERJ3GEYJ 221 V (220)
R188	7030003360	S.RES ERJ3GEYJ 221 V (220)
R189	7030003720	S.RES ERJ3GEYJ 224 V (220K)
R190	7030003320	S.RES ERJ3GEYJ 101 V (100)
R191	7030003480	S.RES ERJ3GEYJ 222 V (2.2K)
R192	7030003360	S.RES ERJ3GEYJ 221 V (220)
R193	7030003360	S.RES ERJ3GEYJ 221 V (220)
R194	7030003680	S.RES ERJ3GEYJ 104 V (100K)
R196	7030003480	S.RES ERJ3GEYJ 222 V (2.2K)
R197	7030003560	S.RES ERJ3GEYJ 103 V (10K)
R198	7030003560	S.RES ERJ3GEYJ 103 V (10K)
R199	7030003560	S.RES ERJ3GEYJ 103 V (10K)
R200	7030003560	S.RES ERJ3GEYJ 103 V (10K)
R201	7030003360	S.RES ERJ3GEYJ 221 V (220)
R202	7030003590	S.RES ERJ3GEYJ 183 V (18K)
R204	7030003480	S.RES ERJ3GEYJ 222 V (2.2K)
R205	7310005230	TRI VM5CK-PVB 10K
R207	7030003320	S.RES ERJ3GEYJ 101 V (100)
R208	7030003480	S.RES ERJ3GEYJ 222 V (2.2K)
R209	7030003580	S.RES ERJ3GEYJ 153 V (15K)
R210	7030003340	S.RES ERJ3GEYJ 151 V (150)
R211	7310005110	S.TRI RH03ADCS2X (470)
R212	7310005630	S.TRI TMC3ADC12X (100)
R213	7510000240	THE ERT-D2ZGL 332S
R214	7030003560	S.RES ERJ3GEYJ 103 V (10K)
R215	7030003440	S.RES ERJ3GEYJ 102 V (1K)
R216	7030003520	S.RES ERJ3GEYJ 472 V (4.7K)
R217	7030003560	S.RES ERJ3GEYJ 103 V (10K)
R218	7030003620	S.RES ERJ3GEYJ 333 V (33K)
R219	7030003520	S.RES ERJ3GEYJ 472 V (4.7K)
R220	7030003400	S.RES ERJ3GEYJ 471 V (470)

[GEN-21]
[GEN-22]
[GEN-25]
[CHN]
[GEN-21]
[GEN-22]
[GEN-25]
[CHN]

[MAIN-J UNIT]

REF NO.	ORDER NO.	DESCRIPTION
R221	7030003320	S.RES ERJ3GEYJ 101 V (100)
R222	7030003320	S.RES ERJ3GEYJ 101 V (100)
R223	7310005580	S.TRI TMC3ADCS3X (4.7K)
R224	7030003620	S.RES ERJ3GEYJ 333 V (33K)
R225	7030003520	S.RES ERJ3GEYJ 472 V (4.7K)
R226	7030003400	S.RES ERJ3GEYJ 471 V (470)
R227	7030003320	S.RES ERJ3GEYJ 101 V (100)
R228	7030003320	S.RES ERJ3GEYJ 101 V (100)
R229	7030003360	S.RES ERJ3GEYJ 221 V (220)
R230	7030003520	S.RES ERJ3GEYJ 472 V (4.7K)
R231	7030003460	S.RES ERJ3GEYJ 152 V (1.5K)
R232	7030003500	S.RES ERJ3GEYJ 332 V (3.3K)
R233	7030003500	S.RES ERJ3GEYJ 332 V (3.3K)
R234	7030003560	S.RES ERJ3GEYJ 103 V (10K)
R235	7030004050	S.RES ERJ3GEYJ 1R0 V (1)
R236	7030003460	S.RES ERJ3GEYJ 152 V (1.5K)
R237	7030003390	S.RES ERJ3GEYJ 391 V (390)
R238	7310005080	S.TRI RH03ADCN3X (3.3K)
R239	7030003400	S.RES ERJ3GEYJ 471 V (470)
R240	7030003400	S.RES ERJ3GEYJ 471 V (470)
R241	7030003620	S.RES ERJ3GEYJ 333 V (33K)
R242	7030003620	S.RES ERJ3GEYJ 333 V (33K)
R243	7010006930	RES PSD1/4 470
R244	7030003520	S.RES ERJ3GEYJ 472 V (4.7K)
R245	7030003360	S.RES ERJ3GEYJ 221 V (220)
R246	7030003680	S.RES ERJ3GEYJ 104 V (100K)
R247	7030003520	S.RES ERJ3GEYJ 472 V (4.7K)
R254	7030003360	S.RES ERJ3GEYJ 221 V (220)
R255	7030003520	S.RES ERJ3GEYJ 472 V (4.7K)
R256	7030003320	S.RES ERJ3GEYJ 101 V (100)
R257	7310005230	TRI VM5CK-PVB 10K
R258	7030003600	S.RES ERJ3GEYJ 223 V (22K)
R259	7030003840	S.RES ERJ3GEYJ 225 V (2.2M)
R261	7030003840	S.RES ERJ3GEYJ 225 V (2.2M)
R262	7030003800	S.RES ERJ3GEYJ 105 V (1M)
R263	7030003800	S.RES ERJ3GEYJ 105 V (1M)
R264	7030003360	S.RES ERJ3GEYJ 221 V (220)
R265	7030003710	S.RES ERJ3GEYJ 184 V (180K)
R266	7030003600	S.RES ERJ3GEYJ 223 V (22K)
R267	7030003800	S.RES ERJ3GEYJ 105 V (1M)
R268	7030003280	S.RES ERJ3GEYJ 470 V (47)
R269	7030003520	S.RES ERJ3GEYJ 472 V (4.7K)
R270	7030003680	S.RES ERJ3GEYJ 104 V (100K)
R271	7030003520	S.RES ERJ3GEYJ 472 V (4.7K)
R272	7030003520	S.RES ERJ3GEYJ 472 V (4.7K)
R273	7030003640	S.RES ERJ3GEYJ 473 V (47K)
R274	7030003680	S.RES ERJ3GEYJ 104 V (100K)
R275	7030003680	S.RES ERJ3GEYJ 104 V (100K)
R276	7030003440	S.RES ERJ3GEYJ 102 V (1K)
R277	7030003360	S.RES ERJ3GEYJ 221 V (220)
R278	7030003620	S.RES ERJ3GEYJ 333 V (33K)
R279	7030003320	S.RES ERJ3GEYJ 101 V (100)
R280	7030003380	S.RES ERJ3GEYJ 331 V (330)
R281	7030003500	S.RES ERJ3GEYJ 332 V (3.3K)
R282	7030003580	S.RES ERJ3GEYJ 153 V (15K)
R283	7030003460	S.RES ERJ3GEYJ 152 V (1.5K)
R284	7030003560	S.RES ERJ3GEYJ 103 V (10K)
R285	7030003520	S.RES ERJ3GEYJ 472 V (4.7K)
R286	7030003720	S.RES ERJ3GEYJ 224 V (220K)
R287	7030003650	S.RES ERJ3GEYJ 563 V (56K)
R288	7010003301	RES PSD1/4V 150
R290	7030003400	S.RES ERJ3GEYJ 471 V (470)
R291	7030006521	S.RES ERA3YED 561V (560)
R292	7030003580	S.RES ERJ3GEYJ 153 V (15K)
R293	7030003560	S.RES ERJ3GEYJ 103 V (10K)
R294	7030003580	S.RES ERJ3GEYJ 153 V (15K)
R295	7030003560	S.RES ERJ3GEYJ 103 V (10K)
R296	7030003680	S.RES ERJ3GEYJ 104 V (100K)
R297	7030003680	S.RES ERJ3GEYJ 104 V (100K)
R298	7030003320	S.RES ERJ3GEYJ 101 V (100)
R299	7030003480	S.RES ERJ3GEYJ 222 V (2.2K)
R300	7310005230	TRI VM5CK-PVB 10K
R301	7030003580	S.RES ERJ3GEYJ 153 V (15K)
R302	7030003600	S.RES ERJ3GEYJ 223 V (22K)
R303	7030003520	S.RES ERJ3GEYJ 472 V (4.7K)
R304	7030003640	S.RES ERJ3GEYJ 473 V (47K)
R305	7030003840	S.RES ERJ3GEYJ 225 V (2.2M)
R306	7030003620	S.RES ERJ3GEYJ 333 V (33K)
R307	7030003440	S.RES ERJ3GEYJ 102 V (1K)
R308	7030003440	S.RES ERJ3GEYJ 102 V (1K)
R310	7030003770	S.RES ERJ3GEYJ 564 V (560K)
R324	7030003480	S.RES ERJ3GEYJ 222 V (2.2K)
R325	7030003320	S.RES ERJ3GEYJ 101 V (100)
R328	7030003520	S.RES ERJ3GEYJ 472 V (4.7K)
R329	7030003440	S.RES ERJ3GEYJ 102 V (1K)
R333	7030003480	S.RES ERJ3GEYJ 222 V (2.2K)
R334	7030003440	S.RES ERJ3GEYJ 102 V (1K)
R335	7030003440	S.RES ERJ3GEYJ 102 V (1K)
R336	7030003680	S.RES ERJ3GEYJ 104 V (100K)
R337	7030003480	S.RES ERJ3GEYJ 222 V (2.2K)
R338	7030003480	S.RES ERJ3GEYJ 222 V (2.2K)
R339	7030003680	S.RES ERJ3GEYJ 104 V (100K)
R340	7030003520	S.RES ERJ3GEYJ 472 V (4.7K)
R342	7030003680	S.RES ERJ3GEYJ 104 V (100K)
R344	7030003680	S.RES ERJ3GEYJ 104 V (100K)
R345	7030003560	S.RES ERJ3GEYJ 103 V (10K)
R346	7030003400	S.RES ERJ3GEYJ 471 V (470)
R348	7030003680	S.RES ERJ3GEYJ 104 V (100K)
R349	7030003560	S.RES ERJ3GEYJ 103 V (10K)
R350	7030003400	S.RES ERJ3GEYJ 471 V (470)
R352	7030003680	S.RES ERJ3GEYJ 104 V (100K)
R353	7030003400	S.RES ERJ3GEYJ 471 V (470)
R354	7030003560	S.RES ERJ3GEYJ 103 V (10K)
R362	7030003480	S.RES ERJ3GEYJ 222 V (2.2K)

[MAIN-J UNIT]

REF NO.	ORDER NO.	DESCRIPTION
R363	7030003500	S.RES ERJ3GEYJ 332 V (3.3K)
R364	7030003480	S.RES ERJ3GEYJ 222 V (2.2K)
R365	7030003440	S.RES ERJ3GEYJ 102 V (1K)
R369	7030003500	S.RES ERJ3GEYJ 332 V (3.3K)
R370	7030003550	S.RES ERJ3GEYJ 822 V (8.2K)
R371	7030003560	S.RES ERJ3GEYJ 103 V (10K)
R372	7030003440	S.RES ERJ3GEYJ 102 V (1K)
R373	7030003760	S.RES ERJ3GEYJ 474 V (470K)
R374	7030003760	S.RES ERJ3GEYJ 474 V (470K)
R375	7030003560	S.RES ERJ3GEYJ 103 V (10K)
R376	7030003560	S.RES ERJ3GEYJ 103 V (10K)
R377	7010000091	RES PSN1/4V 4.7
R378	7010006940	RES PSD1/4 1 K
R379	7010000091	RES PSN1/4V 4.7
R380	7010006940	RES PSD1/4 1 K
R381	7030003480	S.RES ERJ3GEYJ 222 V (2.2K)
R382	7030003720	S.RES ERJ3GEYJ 224 V (220K)
R383	7030003440	S.RES ERJ3GEYJ 102 V (1K)
R385	7030003360	S.RES ERJ3GEYJ 221 V (220)
R386	7030003530	S.RES ERJ3GEYJ 562 V (5.6K)
R387	7030003530	S.RES ERJ3GEYJ 562 V (5.6K)
R388	7030003530	S.RES ERJ3GEYJ 562 V (5.6K)
R389	7030003590	S.RES ERJ3GEYJ 183 V (18K)
R390	7030003440	S.RES ERJ3GEYJ 102 V (1K)
R391	7030003500	S.RES ERJ3GEYJ 332 V (3.3K)
R392	7030003380	S.RES ERJ3GEYJ 331 V (330)
R393	7010004691	RES PSD1/2 47
R394	7030003280	S.RES ERJ3GEYJ 470 V (47)
R395	7030003560	S.RES ERJ3GEYJ 103 V (10K)
R396	7030003680	S.RES ERJ3GEYJ 104 V (100K)
R403	7030003640	S.RES ERJ3GEYJ 473 V (47K)
R404	7030003440	S.RES ERJ3GEYJ 102 V (1K)
R411	7030003560	S.RES ERJ3GEYJ 103 V (10K)
R412	7030003560	S.RES ERJ3GEYJ 103 V (10K)
R413	7010003281	RES PSD1/4V 100
R414	7030003560	S.RES ERJ3GEYJ 103 V (10K)
R415	7030003620	S.RES ERJ3GEYJ 333 V (33K)
R416	7030003600	S.RES ERJ3GEYJ 223 V (22K)
R448	7030003380	S.RES ERJ3GEYJ 331 V (330)
R449	7010003181	RES PSD1/4V 15
R450	7030003380	S.RES ERJ3GEYJ 331 V (330)
R465	7010003201	RES PSD1/4V 22
R466	7010003201	RES PSD1/4V 22
R467	7010003201	RES PSD1/4V 22
R468	7010003201	RES PSD1/4V 22
R469	7010003201	RES PSD1/4V 22
R470	7010003201	RES PSD1/4V 22
R471	7010003201	RES PSD1/4V 22
R472	7010003201	RES PSD1/4V 22
R481	7030003640	S.RES ERJ3GEYJ 473 V (47K)
R493	7030003640	S.RES ERJ3GEYJ 473 V (47K)
R494	7030003640	S.RES ERJ3GEYJ 473 V (47K)
R501	7030003560	S.RES ERJ3GEYJ 103 V (10K)
R502	7030003560	S.RES ERJ3GEYJ 103 V (10K)
R503	7030003560	S.RES ERJ3GEYJ 103 V (10K)
R504	7030003640	S.RES ERJ3GEYJ 473 V (47K)
R505	7030003440	S.RES ERJ3GEYJ 102 V (1K)
R506	7030003680	S.RES ERJ3GEYJ 104 V (100K)
R510	7030003540	S.RES ERJ3GEYJ 682 V (6.8K)
R514	7010000291	RES PSN1/4V 220
R515	7030003520	S.RES ERJ3GEYJ 472 V (4.7K)
R517	7030003480	S.RES ERJ3GEYJ 222 V (2.2K)
R518	7030003400	S.RES ERJ3GEYJ 471 V (470)
R519	7030003640	S.RES ERJ3GEYJ 473 V (47K)
R520	7030003380	S.RES ERJ3GEYJ 331 V (330)
R521	7010003181	RES PSD1/4V 15
R522	7030003380	S.RES ERJ3GEYJ 331 V (330)
R523	7010004691	RES PSD1/2 47
R525	7030003600	S.RES ERJ3GEYJ 223 V (22K)
R526	7030003520	S.RES ERJ3GEYJ 472 V (4.7K)
R527	7030003640	S.RES ERJ3GEYJ 473 V (47K)
R528	7030003580	S.RES ERJ3GEYJ 153 V (15K)
R529	7070000281	RES ERX1SJ 2R2 (2.2)
R533	7030003560	S.RES ERJ3GEYJ 103 V (10K)
R534	7030003440	S.RES ERJ3GEYJ 102 V (1K)
R535	7030003440	S.RES ERJ3GEYJ 102 V (1K)
R536	7030003560	S.RES ERJ3GEYJ 103 V (10K)
R537	7030003440	S.RES ERJ3GEYJ 102 V (1K)
R538	7030003440	S.RES ERJ3GEYJ 102 V (1K)
R539	7030003440	S.RES ERJ3GEYJ 102 V (1K)
R540	7030003440	S.RES ERJ3GEYJ 102 V (1K)
R541	7030003440	S.RES ERJ3GEYJ 102 V (1K)
R542	7030003440	S.RES ERJ3GEYJ 102 V (1K)
R543	7030003440	S.RES ERJ3GEYJ 102 V (1K)
R544	7030003440	S.RES ERJ3GEYJ 102 V (1K)
R545	7010007020	RES PSD1/4 100 K
R601	7030003400	S.RES ERJ3GEYJ 471 V (470)
R602	7030003480	S.RES ERJ3GEYJ 222 V (2.2K)
R603	7030003440	S.RES ERJ3GEYJ 102 V (1K)
R604	7030003760	S.RES ERJ3GEYJ 474 V (470K)
R605	7030003720	S.RES ERJ3GEYJ 224 V (220K)
R606	7030003720	S.RES ERJ3GEYJ 224 V (220K)
R607	7030003680	S.RES ERJ3GEYJ 104 V (100K)
R608	7030003600	S.RES ERJ3GEYJ 223 V (22K)
R609	7030003600	S.RES ERJ3GEYJ 223 V (22K)
R610	7030003600	S.RES ERJ3GEYJ 223 V (22K)
R611	7030003600	S.RES ERJ3GEYJ 223 V (22K)
R612	7030003640	S.RES ERJ3GEYJ 473 V (47K)
R633	7030003640	S.RES ERJ3GEYJ 473 V (47K)
R634	7030003440	S.RES ERJ3GEYJ 102 V (1K)
R635	7030003440	S.RES ERJ3GEYJ 102 V (1K)
R636	7030003440	S.RES ERJ3GEYJ 102 V (1K)
R637	7030003440	S.RES ERJ3GEYJ 102 V (1K)
R638	7030003440	S.RES ERJ3GEYJ 102 V (1K)

[MAIN-J UNIT]

REF NO.	ORDER NO.	DESCRIPTION
R639	7030003440	S.RES ERJ3GEYJ 102 V (1K)
R640	7030003440	S.RES ERJ3GEYJ 102 V (1K)
R641	7030003500	S.RES ERJ3GEYJ 332 V (3.3K)
R642	7030003640	S.RES ERJ3GEYJ 473 V (47K)
R646	7030003440	S.RES ERJ3GEYJ 102 V (1K)
R647	7030003560	S.RES ERJ3GEYJ 103 V (10K)
R648	7030003560	S.RES ERJ3GEYJ 103 V (10K)
R650	7030003600	S.RES ERJ3GEYJ 223 V (22K)
R651	7030003440	S.RES ERJ3GEYJ 102 V (1K)
R652	7030003440	S.RES ERJ3GEYJ 102 V (1K)
R653	7030003640	S.RES ERJ3GEYJ 473 V (47K)
R654	7030003440	S.RES ERJ3GEYJ 102 V (1K)
R655	7030003440	S.RES ERJ3GEYJ 102 V (1K)
R657	7030003440	S.RES ERJ3GEYJ 102 V (1K)
R658	7030003440	S.RES ERJ3GEYJ 102 V (1K)
R659	7030003440	S.RES ERJ3GEYJ 102 V (1K)
R663	7030003640	S.RES ERJ3GEYJ 473 V (47K)
R664	7030003640	S.RES ERJ3GEYJ 473 V (47K)
R670	7030003620	S.RES ERJ3GEYJ 333 V (33K)
R671	7030003540	S.RES ERJ3GEYJ 682 V (6.8K)
R672	7030003640	S.RES ERJ3GEYJ 473 V (47K)
R673	7030003590	S.RES ERJ3GEYJ 183 V (18K)
R674	7030003440	S.RES ERJ3GEYJ 102 V (1K)
R675	7030003440	S.RES ERJ3GEYJ 102 V (1K)
R676	7030003640	S.RES ERJ3GEYJ 473 V (47K)
R677	7030003640	S.RES ERJ3GEYJ 473 V (47K)
R678	7030003640	S.RES ERJ3GEYJ 473 V (47K)
R679	7030003640	S.RES ERJ3GEYJ 473 V (47K)
R680	7030003360	S.RES ERJ3GEYJ 221 V (22K)
R681	7030003440	S.RES ERJ3GEYJ 102 V (1K)
R682	7030003440	S.RES ERJ3GEYJ 102 V (1K)
R683	7030003440	S.RES ERJ3GEYJ 102 V (1K)
R684	7030003440	S.RES ERJ3GEYJ 102 V (1K)
R690	7030003200	S.RES ERJ3GEYJ 100 V (10)
R691	7030003200	S.RES ERJ3GEYJ 100 V (10)
R692	7030003200	S.RES ERJ3GEYJ 100 V (10)
R693	7030003200	S.RES ERJ3GEYJ 100 V (10)
R694	7030003200	S.RES ERJ3GEYJ 100 V (10)
R695	7030003200	S.RES ERJ3GEYJ 100 V (10)
R696	7030003200	S.RES ERJ3GEYJ 100 V (10)
R697	7030003200	S.RES ERJ3GEYJ 100 V (10)
R698	7010003381	RES PSD1/4V 680
R699	7030003320	S.RES ERJ3GEYJ 101 V (100)
R700	7030003320	S.RES ERJ3GEYJ 101 V (100)
R701	7010007560	RES ERD52TJ 1R0 (1)
R702	7030003400	S.RES ERJ3GEYJ 471 V (47K)
R703	7030003580	S.RES ERJ3GEYJ 153 V (15K)
R704	7030003500	S.RES ERJ3GEYJ 332 V (3.3K)
R705	7030003640	S.RES ERJ3GEYJ 473 V (47K)
R706	7030003600	S.RES ERJ3GEYJ 223 V (22K)
R707	7030003360	S.RES ERJ3GEYJ 221 V (22K)
R708	7030003440	S.RES ERJ3GEYJ 102 V (1K)
R709	7030003620	S.RES ERJ3GEYJ 333 V (33K)
	7030003620	S.RES ERJ3GEYJ 333 V (33K)
	7030003550	S.RES ERJ3GEYJ 822 V (8.2K)
	7030003620	S.RES ERJ3GEYJ 333 V (33K)
	7030003620	S.RES ERJ3GEYJ 333 V (33K)
R714	7030003640	S.RES ERJ3GEYJ 473 V (47K)
R719	7030003640	S.RES ERJ3GEYJ 473 V (47K)
R720	7030003620	S.RES ERJ3GEYJ 333 V (33K)
R721	7030003520	S.RES ERJ3GEYJ 472 V (4.7K)
R722	7030003640	S.RES ERJ3GEYJ 473 V (47K)
R723	7030003580	S.RES ERJ3GEYJ 153 V (15K)
R724	7030003440	S.RES ERJ3GEYJ 102 V (1K)
R725	7030003440	S.RES ERJ3GEYJ 102 V (1K)
R726	7030003440	S.RES ERJ3GEYJ 102 V (1K)
R729	7030003680	S.RES ERJ3GEYJ 104 V (100K)
R730	7010003171	RES PSD1/4V 12
R731	7030003520	S.RES ERJ3GEYJ 472 V (4.7K)
R732	7030003640	S.RES ERJ3GEYJ 473 V (47K)
R733	7030003680	S.RES ERJ3GEYJ 104 V (100K)
R734	7030003680	S.RES ERJ3GEYJ 104 V (100K)
R735	7030003680	S.RES ERJ3GEYJ 104 V (100K)
R736	7030003680	S.RES ERJ3GEYJ 104 V (100K)
R738	7030003640	S.RES ERJ3GEYJ 473 V (47K)
R739	7030003640	S.RES ERJ3GEYJ 473 V (47K)
R740	7030003320	S.RES ERJ3GEYJ 101 V (100)
R741	7030003620	S.RES ERJ3GEYJ 333 V (33K)
R742	7030003640	S.RES ERJ3GEYJ 473 V (47K)
R743	7030003480	S.RES ERJ3GEYJ 222 V (2.2K)
R752	7030003320	S.RES ERJ3GEYJ 101 V (100)
R753	7030003400	S.RES ERJ3GEYJ 471 V (47K)
R754	7030003600	S.RES ERJ3GEYJ 223 V (22K)
R755	7030003640	S.RES ERJ3GEYJ 473 V (47K)
R756	7030003440	S.RES ERJ3GEYJ 102 V (1K)
R757	7030006521	S.RES ERA3YED 561V (560)
R764	7030003620	S.RES ERJ3GEYJ 333 V (33K)
R765	7030003380	S.RES ERJ3GEYJ 331 V (33K)
R766	7030003200	S.RES ERJ3GEYJ 100 V (10)
R771	7030003480	S.RES ERJ3GEYJ 222 V (2.2K)
R772	7030003530	S.RES ERJ3GEYJ 562 V (5.6K)
R773	7030003530	S.RES ERJ3GEYJ 562 V (5.6K)
R774	7030003600	S.RES ERJ3GEYJ 223 V (22K)
R777	7030003760	S.RES ERJ3GEYJ 474 V (47K)
R778	7030003440	S.RES ERJ3GEYJ 102 V (1K)
R779	7030003720	S.RES ERJ3GEYJ 224 V (22K)
R781	7030003520	S.RES ERJ3GEYJ 472 V (4.7K)
R782	7030003520	S.RES ERJ3GEYJ 472 V (4.7K)
R783	7030003440	S.RES ERJ3GEYJ 102 V (1K)
R784	7030003440	S.RES ERJ3GEYJ 102 V (1K)
R785	7030003440	S.RES ERJ3GEYJ 102 V (1K)
R786	7030003440	S.RES ERJ3GEYJ 102 V (1K)
R787	7030003440	S.RES ERJ3GEYJ 102 V (1K)
R788	7030003560	S.RES ERJ3GEYJ 103 V (10K)

[GEN-21]
[GEN-22]
[GEN-25]
[CHN]
[EUR-21]

[MAIN-J UNIT]

REF NO.	ORDER NO.	DESCRIPTION
R789	7030003340	S.RES ERJ3GEYJ 151 V (150)
R790	7030003380	S.RES ERJ3GEYJ 331 V (33K)
R791	7030003320	S.RES ERJ3GEYJ 101 V (100)
R792	7030003680	S.RES ERJ3GEYJ 104 V (100K)
R793	7030003560	S.RES ERJ3GEYJ 103 V (10K)
R794	7030003360	S.RES ERJ3GEYJ 221 V (22K)
R796	7030003320	S.RES ERJ3GEYJ 101 V (100)
R797	7030003520	S.RES ERJ3GEYJ 472 V (4.7K)
R798	7030003440	S.RES ERJ3GEYJ 102 V (1K)
R799	7030003560	S.RES ERJ3GEYJ 103 V (10K)
R800	7030003600	S.RES ERJ3GEYJ 223 V (22K)
R801	7030003680	S.RES ERJ3GEYJ 104 V (100K)
R802	7030003600	S.RES ERJ3GEYJ 223 V (22K)
R803	7510000540	THE ERT-D2ZGL 171S
R804	7030003520	S.RES ERJ3GEYJ 472 V (4.7K)
R805	7030003670	S.RES ERJ3GEYJ 823 V (82K)
R806	7030003720	S.RES ERJ3GEYJ 224 V (22K)
R807	7510000300	THE ERT-D2ZGL 601S
R808	7030003440	S.RES ERJ3GEYJ 102 V (1K)
R809	7030003600	S.RES ERJ3GEYJ 223 V (22K)
R810	7030003680	S.RES ERJ3GEYJ 104 V (100K)
R811	7030003560	S.RES ERJ3GEYJ 103 V (10K)
R812	7030003680	S.RES ERJ3GEYJ 104 V (100K)
R813	7030003440	S.RES ERJ3GEYJ 102 V (1K)
R820	7030003560	S.RES ERJ3GEYJ 103 V (10K)
R821	7030003600	S.RES ERJ3GEYJ 223 V (22K)
R822	7030003680	S.RES ERJ3GEYJ 104 V (100K)
R823	7030003560	S.RES ERJ3GEYJ 103 V (10K)
R824	7030009220	S.RES ERJ12YJ561U
R825	7030003460	S.RES ERJ3GEYJ 152 V (1.5K)
R826	7030003520	S.RES ERJ3GEYJ 472 V (4.7K)
R827	7030003500	S.RES ERJ3GEYJ 332 V (3.3K)
R828	7030003560	S.RES ERJ3GEYJ 103 V (10K)
R829	7030003560	S.RES ERJ3GEYJ 103 V (10K)
R830	7030003560	S.RES ERJ3GEYJ 103 V (10K)
R831	7030003560	S.RES ERJ3GEYJ 103 V (10K)
R832	7030003560	S.RES ERJ3GEYJ 103 V (10K)
R833	7030003560	S.RES ERJ3GEYJ 103 V (10K)
R834	7030003560	S.RES ERJ3GEYJ 103 V (10K)
R835	7030003560	S.RES ERJ3GEYJ 103 V (10K)
R836	7030007360	S.RES ERJ1WYJ470U (47)
R837	7030003440	S.RES ERJ3GEYJ 102 V (1K)
R838	7030003440	S.RES ERJ3GEYJ 102 V (1K)
R839	7030003500	S.RES ERJ3GEYJ 332 V (3.3K)
R840	7030003500	S.RES ERJ3GEYJ 332 V (3.3K)
R841	7030003440	S.RES ERJ3GEYJ 102 V (1K)
R842	7030003440	S.RES ERJ3GEYJ 102 V (1K)
R843	7030003420	S.RES ERJ3GEYJ 681 V (680)
R844	7310005540	S.TRI TMC3ADC14X (10K)
R845	7030003440	S.RES ERJ3GEYJ 102 V (1K)
R858	7030003460	S.RES ERJ3GEYJ 152 V (1.5K)
R876	7030003440	S.RES ERJ3GEYJ 102 V (1K)
R885	7030003510	S.RES ERJ3GEYJ 392 V (3.9K)
R886	7030003510	S.RES ERJ3GEYJ 392 V (3.9K)
R887	7030003320	S.RES ERJ3GEYJ 101 V (100)
R888	7030003460	S.RES ERJ3GEYJ 152 V (1.5K)
R900	7030003440	S.RES ERJ3GEYJ 102 V (1K)
R901	7030003560	S.RES ERJ3GEYJ 103 V (10K)
R902	7510001350	THE ERT-D2ZHL 103S
R903	7510000230	THE ERT-D2ZGL 251S
R904	7030003280	S.RES ERJ3GEYJ 470 V (47)
W10	7030003860	S.RES ERJ3GE JPW V
	7030003860	S.RES ERJ3GE JPW V
	7030003860	S.RES ERJ3GE JPW V
	7030003860	S.RES ERJ3GE JPW V
W12	7030003860	S.RES ERJ3GE JPW V
W14	7030003860	S.RES ERJ3GE JPW V
W17	7030003860	S.RES ERJ3GE JPW V
W18	7030003860	S.RES ERJ3GE JPW V
W23	7030003860	S.RES ERJ3GE JPW V
W24	7030003860	S.RES ERJ3GE JPW V
W25	7030003860	S.RES ERJ3GE JPW V
W27	7030003860	S.RES ERJ3GE JPW V
W30	7030003860	S.RES ERJ3GE JPW V
W31	7030003860	S.RES ERJ3GE JPW V
W33	7030003860	S.RES ERJ3GE JPW V
W34	7030003860	S.RES ERJ3GE JPW V
C2	4030008920	S.CER C1608 JB 1H 473K-T
C3	4030006880	S.CER C1608 JB 1H 472K-T
C4	4030006870	S.CER C1608 JB 1H 222K-T
C5	4030006900	S.CER C1608 JB 1H 103K-T
C6	4030010020	S.CER C1608 JB 1H 122K-T
C7	4030008860	S.CER C1608 JB 1H 153K-T
C8	4030006870	S.CER C1608 JB 1H 222K-T
C9	4030008920	S.CER C1608 JB 1H 473K-T
C10	4030008920	S.CER C1608 JB 1H 473K-T
C11	4030006870	S.CER C1608 JB 1H 222K-T
C12	4030011280	S.CER C1608 CH 1H 271J-T
C13	4030009970	S.CER C1608 JB 1H 182K-T
C14	4030008920	S.CER C1608 JB 1H 473K-T
C15	4030011600	S.CER C1608 JB 1E 104K-T
C16	4030011600	S.CER C1608 JB 1E 104K-T
C17	4030009980	S.CER C1608 JB 1H 152K-T
C18	4030010750	S.CER C1608 CH 1H 201J-T
C19	4030009980	S.CER C1608 JB 1H 152K-T
C20	4030008470	S.CER C1608 JB 1H 272K-T
C21	4030008850	S.CER C1608 JB 1H 123K-T
C22	4030009980	S.CER C1608 JB 1H 152K-T
C23	4030011600	S.CER C1608 JB 1E 104K-T
C24	4030011600	S.CER C1608 JB 1E 104K-T

[GEN-21]
[GEN-22]
[GEN-25]
[CHN]

[EUR-21] only
[EUR-21] only

[MAIN-J UNIT]

REF NO.	ORDER NO.	DESCRIPTION
C25	4030010040	S.CER C1608 JB 1H 561K-T
C26	4030007140	S.CER C1608 CH 1H 121J-T
C27	4030010040	S.CER C1608 JB 1H 561K-T
C28	4030009980	S.CER C1608 JB 1H 152K-T
C29	4030006880	S.CER C1608 JB 1H 472K-T
C30	4030006860	S.CER C1608 JB 1H 102K-T
C31	4030011600	S.CER C1608 JB 1E 104K-T
C32	4030011600	S.CER C1608 JB 1E 104K-T
C33	4030010040	S.CER C1608 JB 1H 561K-T
C34	4030007130	S.CER C1608 CH 1H 101J-T
C35	4030006850	S.CER C1608 JB 1H 471K-T
C36	4030010040	S.CER C1608 JB 1H 561K-T
C37	4030009970	S.CER C1608 JB 1H 182K-T
C38	4030006850	S.CER C1608 JB 1H 471K-T
C39	4030011600	S.CER C1608 JB 1E 104K-T
C40	4030011600	S.CER C1608 JB 1E 104K-T
C41	4030006850	S.CER C1608 JB 1H 471K-T
C42	4030007100	S.CER C1608 CH 1H 560J-T
C43	4030010760	S.CER C1608 CH 1H 331J-T
C44	4030006850	S.CER C1608 JB 1H 471K-T
C45	4030006870	S.CER C1608 JB 1H 222K-T
C46	4030010760	S.CER C1608 CH 1H 331J-T
C47	4030011600	S.CER C1608 JB 1E 104K-T
C48	4030011600	S.CER C1608 JB 1E 104K-T
C49	4030011330	S.CER C1608 CH 1H 391J-T
C50	4030007080	S.CER C1608 CH 1H 390J-T
C51	4030011830	S.CER C1608 CH 1H 301J-T
C52	4030011280	S.CER C1608 CH 1H 271J-T
C53	4030006870	S.CER C1608 JB 1H 222K-T
C54	4030007170	S.CER C1608 CH 1H 221J-T
C55	4030011600	S.CER C1608 JB 1E 104K-T
C56	4030011600	S.CER C1608 JB 1E 104K-T
C57	4030011830	S.CER C1608 CH 1H 301J-T
C58	4030007090	S.CER C1608 CH 1H 470J-T
C59	4030007170	S.CER C1608 CH 1H 221J-T
C60	4030011280	S.CER C1608 CH 1H 271J-T
C61	4030009980	S.CER C1608 JB 1H 152K-T
C62	4030007160	S.CER C1608 CH 1H 181J-T
C63	4030011600	S.CER C1608 JB 1E 104K-T
C64	4030011600	S.CER C1608 JB 1E 104K-T
C65	4030010750	S.CER C1608 CH 1H 201J-T
C66	4030007050	S.CER C1608 CH 1H 220J-T
C67	4030007160	S.CER C1608 CH 1H 181J-T
C68	4030007160	S.CER C1608 CH 1H 181J-T
C69	4030009980	S.CER C1608 JB 1H 152K-T
C70	4030007150	S.CER C1608 CH 1H 151J-T
C71	4030011600	S.CER C1608 JB 1E 104K-T
C72	4030011600	S.CER C1608 JB 1E 104K-T
C73	4030007150	S.CER C1608 CH 1H 151J-T
C74	4030007040	S.CER C1608 CH 1H 180J-T
C75	4030007130	S.CER C1608 CH 1H 101J-T
C76	4030007150	S.CER C1608 CH 1H 151J-T
C77	4030006860	S.CER C1608 JB 1H 102K-T
C78	4030007130	S.CER C1608 CH 1H 101J-T
C79	4030011600	S.CER C1608 JB 1E 104K-T
C80	4030008920	S.CER C1608 JB 1H 473K-T
C81	4030008920	S.CER C1608 JB 1H 473K-T
C82	4030006880	S.CER C1608 JB 1H 472K-T
C83	4030008920	S.CER C1608 JB 1H 473K-T
C84	4030008920	S.CER C1608 JB 1H 473K-T
C85	4030006880	S.CER C1608 JB 1H 472K-T
C86	4030011600	S.CER C1608 JB 1E 104K-T
C87	4030006880	S.CER C1608 JB 1H 472K-T
C88	4030008920	S.CER C1608 JB 1H 473K-T
C89	4030007030	S.CER C1608 CH 1H 150J-T
C90	4030006960	S.CER C1608 CH 1H 050C-T
C91	4030007080	S.CER C1608 CH 1H 390J-T
C92	4030007040	S.CER C1608 CH 1H 180J-T
C93	4030007050	S.CER C1608 CH 1H 220J-T
C94	4030008920	S.CER C1608 JB 1H 473K-T
C95	4030008920	S.CER C1608 JB 1H 473K-T
C96	4030006960	S.CER C1608 CH 1H 050C-T
C98	4030006860	S.CER C1608 JB 1H 102K-T
C99	4030006880	S.CER C1608 JB 1H 472K-T
C100	4030006880	S.CER C1608 JB 1H 472K-T
C101	4030007090	S.CER C1608 CH 1H 470J-T
C102	4030007090	S.CER C1608 CH 1H 470J-T
C103	4030007170	S.CER C1608 CH 1H 221J-T
C104	4030006930	S.CER C1608 CH 1H 020C-T
C106	4030006880	S.CER C1608 JB 1H 472K-T
C107	4030006880	S.CER C1608 JB 1H 472K-T
C108	4030006880	S.CER C1608 JB 1H 472K-T
C109	4030006880	S.CER C1608 JB 1H 472K-T
C110	4510006160	ELE 25 ME 10 HC
C111	4030006860	S.CER C1608 JB 1H 102K-T
C112	4030006880	S.CER C1608 JB 1H 472K-T
C113	4030008920	S.CER C1608 JB 1H 473K-T
C114	4510006160	ELE 25 ME 10 HC
C115	4030007140	S.CER C1608 CH 1H 121J-T
C116	4030007050	S.CER C1608 CH 1H 220J-T
C117	4510005120	ELE 16 ME 47 HC
C118	4510006160	ELE 25 ME 10 HC
C119	4030011600	S.CER C1608 JB 1E 104K-T
C120	4030006880	S.CER C1608 JB 1H 472K-T
C121	4030007030	S.CER C1608 CH 1H 150J-T
C122	4030007030	S.CER C1608 CH 1H 150J-T
C123	4030007040	S.CER C1608 CH 1H 180J-T
C125	4030011280	S.CER C1608 CH 1H 271J-T
C126	4030007100	S.CER C1608 CH 1H 560J-T
C127	4030006880	S.CER C1608 JB 1H 472K-T
C128	4030010760	S.CER C1608 CH 1H 331J-T
C129	4030010760	S.CER C1608 CH 1H 331J-T
C130	4030007120	S.CER C1608 CH 1H 820J-T
C131	4030007030	S.CER C1608 CH 1H 150J-T

[MAIN-J UNIT]

REF NO.	ORDER NO.	DESCRIPTION
C132	4030007150	S.CER C1608 CH 1H 151J-T
C133	4030007010	S.CER C1608 CH 1H 100D-T
C134	4030007120	S.CER C1608 CH 1H 820J-T
C135	4030008920	S.CER C1608 JB 1H 473K-T
C136	4030007010	S.CER C1608 CH 1H 100D-T
C137	4030011600	S.CER C1608 JB 1E 104K-T
C138	4030011600	S.CER C1608 JB 1E 104K-T
C139	4030007000	S.CER C1608 CH 1H 090D-T
C140	4030008920	S.CER C1608 JB 1H 473K-T
C141	4030006880	S.CER C1608 JB 1H 472K-T
C142	4030007030	S.CER C1608 CH 1H 150J-T
C143	4030006960	S.CER C1608 CH 1H 050C-T
C144	4030006860	S.CER C1608 JB 1H 102K-T
C145	4030006880	S.CER C1608 JB 1H 472K-T
C146	4030006880	S.CER C1608 JB 1H 472K-T
C147	4030006880	S.CER C1608 JB 1H 472K-T
C148	4030006880	S.CER C1608 JB 1H 472K-T
C149	4030006880	S.CER C1608 JB 1H 472K-T
C150	4030006990	S.CER C1608 CH 1H 080D-T
C151	4030006880	S.CER C1608 JB 1H 472K-T
C152	4030006880	S.CER C1608 JB 1H 472K-T
C153	4030006930	S.CER C1608 CH 1H 020C-T
C154	4030008920	S.CER C1608 JB 1H 473K-T
C155	4030006860	S.CER C1608 JB 1H 102K-T
C156	4030006880	S.CER C1608 JB 1H 472K-T
C157	4030006880	S.CER C1608 JB 1H 472K-T
C158	4030006880	S.CER C1608 JB 1H 472K-T
C159	4030006880	S.CER C1608 JB 1H 472K-T
C160	4030008920	S.CER C1608 JB 1H 473K-T
C161	4030006850	S.CER C1608 JB 1H 471K-T
C162	4030006880	S.CER C1608 JB 1H 472K-T
C163	4030008920	S.CER C1608 JB 1H 473K-T
C164	4510008400	ELE 25 ME 22 HC
C165	4030006880	S.CER C1608 JB 1H 472K-T
C166	4510008400	ELE 25 ME 22 HC
C167	4030007010	S.CER C1608 CH 1H 100D-T
C168	4510005490	ELE 50 ME 2R2 HC
C169	4030006880	S.CER C1608 JB 1H 472K-T
C170	4030008920	S.CER C1608 JB 1H 473K-T
C171	4030006880	S.CER C1608 JB 1H 472K-T
C172	4030008930	S.CER C2012 JB 1C 563K-T
C173	4030008920	S.CER C1608 JB 1H 473K-T
C174	4030006880	S.CER C1608 JB 1H 472K-T
C175	4030006880	S.CER C1608 JB 1H 472K-T
C176	4030006880	S.CER C1608 JB 1H 472K-T
C177	4030006880	S.CER C1608 JB 1H 472K-T
C178	4030006880	S.CER C1608 JB 1H 472K-T
C179	4030006880	S.CER C1608 JB 1H 472K-T
C180	4030006880	S.CER C1608 JB 1H 472K-T
C181	4030006880	S.CER C1608 JB 1H 472K-T
C182	4030006880	S.CER C1608 JB 1H 472K-T
C183	4030007030	S.CER C1608 CH 1H 150J-T
C184	4030006990	S.CER C1608 CH 1H 080D-T
C185	4030007030	S.CER C1608 CH 1H 150J-T
C186	4030006880	S.CER C1608 JB 1H 472K-T
C187	4030006880	S.CER C1608 JB 1H 472K-T
C188	4030006880	S.CER C1608 JB 1H 472K-T
C189	4030006880	S.CER C1608 JB 1H 472K-T
C190	4030006900	S.CER C1608 JB 1H 103K-T
C191	4030006880	S.CER C1608 JB 1H 472K-T
C192	4030006880	S.CER C1608 JB 1H 472K-T
C193	4510006160	ELE 25 ME 10 HC
C194	4030006880	S.CER C1608 JB 1H 472K-T
C195	4030006900	S.CER C1608 JB 1H 103K-T
C196	4030006880	S.CER C1608 JB 1H 472K-T
C197	4030006880	S.CER C1608 JB 1H 472K-T
C198	4030006880	S.CER C1608 JB 1H 472K-T
C199	4510005120	ELE 16 ME 47 HC
C200	4030010760	S.CER C1608 CH 1H 331J-T
C201	4030006880	S.CER C1608 JB 1H 472K-T
C202	4030007170	S.CER C1608 CH 1H 221J-T
C203	4030007050	S.CER C1608 CH 1H 220J-T
C204	4030011600	S.CER C1608 JB 1E 104K-T
C205	4030011600	S.CER C1608 JB 1E 104K-T
C206	4510001910	ELE 25 MS7 10UF (5X7)
C207	4030012610	S.CER C2012 JB 1C 474K-T
C208	4030006880	S.CER C1608 JB 1H 472K-T
C209	4030011600	S.CER C1608 JB 1E 104K-T
C210	4510001910	ELE 25 MS7 10UF (5X7)
C211	4030006880	S.CER C1608 JB 1H 472K-T
C212	4030006880	S.CER C1608 JB 1H 472K-T
C213	4030011600	S.CER C1608 JB 1E 104K-T
C214	4510001910	ELE 25 MS7 10UF (5X7)
C215	4030011600	S.CER C1608 JB 1E 104K-T
	4030011600	S.CER C1608 JB 1E 104K-T
	4030006880	S.CER C1608 JB 1H 472K-T
	4030011600	S.CER C1608 JB 1E 104K-T
C216	4030007050	S.CER C1608 CH 1H 220J-T
	4030007050	S.CER C1608 CH 1H 220J-T
	4030007090	S.CER C1608 CH 1H 470J-T
	4030007050	S.CER C1608 CH 1H 220J-T
	4030007050	S.CER C1608 CH 1H 220J-T
C217	4030006880	S.CER C1608 JB 1H 472K-T
C218	4510008400	ELE 25 ME 22 HC
C222	4030007170	S.CER C1608 CH 1H 221J-T
C225	4030006880	S.CER C1608 JB 1H 472K-T
C226	4510008400	ELE 25 ME 22 HC
C228	4030006880	S.CER C1608 JB 1H 472K-T
C229	4030006850	S.CER C1608 JB 1H 471K-T
C230	4510006160	ELE 25 ME 10 HC
C231	4510006160	ELE 25 ME 10 HC
C232	4030006860	S.CER C1608 JB 1H 102K-T
C234	4510006160	ELE 25 ME 10 HC

[GEN-21]
 [GEN-22]
 [GEN-25]
 [CHN]
 [EUR-21]
 [GEN-21]
 [GEN-22]
 [GEN-25]
 [CHN]
 [EUR-21]

[MAIN-J UNIT]

REF NO.	ORDER NO.	DESCRIPTION
C235	4510006160	ELE 25 ME 10 HC
C236	4510006160	ELE 25 ME 10 HC
C237	4030006880	S.CER C1608 JB 1H 472K-T
C238	4030007130	S.CER C1608 CH 1H 101J-T
C239	4030007150	S.CER C1608 CH 1H 151J-T
C240	4030006880	S.CER C1608 JB 1H 472K-T
C241	4030011280	S.CER C1608 CH 1H 271J-T
C242	4030007090	S.CER C1608 CH 1H 470J-T
C243	4510008400	ELE 25 ME 22 HC
C244	4030008920	S.CER C1608 JB 1H 473K-T
C245	4510005490	ELE 50 ME 2R2 HC
C246	4030006880	S.CER C1608 JB 1H 472K-T
C247	4030010760	S.CER C1608 CH 1H 331J-T
C248	4030006860	S.CER C1608 JB 1H 102K-T
C249	4030011600	S.CER C1608 JB 1E 104K-T
C250	4510005120	ELE 16 ME 47 HC
C251	4510008400	ELE 25 ME 22 HC
C252	4030008920	S.CER C1608 JB 1H 473K-T
C253	4030014300	S.CER C1608 JB 1E 563K-T
		[GEN-21]
		[GEN-22]
		[GEN-25]
		[CHN]
		[EUR-21]
C254	4030012610	S.CER C2012 JB 1C 474K-T
C256	4030009980	S.CER C1608 JB 1H 152K-T
C257	4310000610	MYL 50 F2D 472J
C258	4510008410	ELE 25 ME 4R7 HC
C259	4030007170	S.CER C1608 CH 1H 221J-T
C260	4030006880	S.CER C1608 JB 1H 472K-T
C261	4510005120	ELE 16 ME 47 HC
C262	4310000360	MYL 50 F2D 103J
C263	4510004990	ELE 16 ME 100 HC
C264	4310000360	MYL 50 F2D 103J
C265	4510004910	ELE 16 ME 10 SWN
C266	4510008410	ELE 25 ME 4R7 HC
C267	4510008420	ELE 50 ME R47 HC
C268	4510005120	ELE 16 ME 47 HC
C269	4510005490	ELE 50 ME 2R2 HC
C270	4510008410	ELE 25 ME 4R7 HC
C271	4030011600	S.CER C1608 JB 1E 104K-T
C275	4510005120	ELE 16 ME 47 HC
C276	4030006880	S.CER C1608 JB 1H 472K-T
C277	4510008410	ELE 25 ME 4R7 HC
C278	4510005250	ELE 50 ME 2R2 SWN
C279	4510005250	ELE 50 ME 2R2 SWN
C280	4510005250	ELE 50 ME 2R2 SWN
C281	4030011600	S.CER C1608 JB 1E 104K-T
C282	4030006880	S.CER C1608 JB 1H 472K-T
C283	4030006900	S.CER C1608 JB 1H 103K-T
C284	4030006900	S.CER C1608 JB 1H 103K-T
C285	4510008420	ELE 50 ME R47 HC
C286	4510008420	ELE 50 ME R47 HC
C287	4510006160	ELE 25 ME 10 HC
C288	4030006880	S.CER C1608 JB 1H 472K-T
C289	4030006880	S.CER C1608 JB 1H 472K-T
C290	4510006160	ELE 25 ME 10 HC
C293	4510006160	ELE 25 ME 10 HC
C294	4310000380	MYL 50 F2D 153J
C295	4310000380	MYL 50 F2D 153J
C296	4310000380	MYL 50 F2D 153J
C297	4030008920	S.CER C1608 JB 1H 473K-T
C298	4510006160	ELE 25 ME 10 HC
C299	4510003790	ELE 16 ME 10 SWB
C300	4030006880	S.CER C1608 JB 1H 472K-T
C301	4510003790	ELE 16 ME 10 SWB
C302	4030006880	S.CER C1608 JB 1H 472K-T
C303	4510003850	ELE 50 ME 2R2 SWB
C304	4510001360	ELE 16 MS5 22UF
C305	4550007830	TAN 204M1602106M4F
C306	4030006900	S.CER C1608 JB 1H 103K-T
C307	4030006860	S.CER C1608 JB 1H 102K-T
C317	4030006880	S.CER C1608 JB 1H 472K-T
C319	4030006880	S.CER C1608 JB 1H 472K-T
C320	4030006880	S.CER C1608 JB 1H 472K-T
C321	4030006880	S.CER C1608 JB 1H 472K-T
C322	4030006880	S.CER C1608 JB 1H 472K-T
C323	4030006880	S.CER C1608 JB 1H 472K-T
C324	4030006880	S.CER C1608 JB 1H 472K-T
C325	4030006880	S.CER C1608 JB 1H 472K-T
C326	4030006880	S.CER C1608 JB 1H 472K-T
C343	4510008410	ELE 25 ME 4R7 HC
C361	4030006880	S.CER C1608 JB 1H 472K-T
C362	4030006880	S.CER C1608 JB 1H 472K-T
C363	4030006880	S.CER C1608 JB 1H 472K-T
C364	4030006880	S.CER C1608 JB 1H 472K-T
C374	4030006880	S.CER C1608 JB 1H 472K-T
C387	4030006880	S.CER C1608 JB 1H 472K-T
C397	4030006880	S.CER C1608 JB 1H 472K-T
C398	4030006880	S.CER C1608 JB 1H 472K-T
C401	4030008920	S.CER C1608 JB 1H 473K-T
C403	4030006880	S.CER C1608 JB 1H 472K-T
C408	4030007130	S.CER C1608 CH 1H 101J-T
C409	4030006880	S.CER C1608 JB 1H 472K-T
C410	4030006880	S.CER C1608 JB 1H 472K-T
C411	4030006880	S.CER C1608 JB 1H 472K-T
C412	4030006880	S.CER C1608 JB 1H 472K-T
C413	4030006880	S.CER C1608 JB 1H 472K-T
C414	4030006880	S.CER C1608 JB 1H 472K-T
C416	4030006880	S.CER C1608 JB 1H 472K-T
C417	4030006880	S.CER C1608 JB 1H 472K-T
C418	4030006880	S.CER C1608 JB 1H 472K-T
C419	4030006880	S.CER C1608 JB 1H 472K-T
C420	4030006880	S.CER C1608 JB 1H 472K-T
C421	4030006880	S.CER C1608 JB 1H 472K-T

[MAIN-J UNIT]

REF NO.	ORDER NO.	DESCRIPTION
C434	4030006880	S.CER C1608 JB 1H 472K-T
C435	4030006880	S.CER C1608 JB 1H 472K-T
C436	4510005490	ELE 50 ME 2R2 HC
C437	4030008920	S.CER C1608 JB 1H 473K-T
C438	4030007030	S.CER C1608 CH 1H 150J-T
C439	4030007010	S.CER C1608 CH 1H 100D-T
C444	4030011600	S.CER C1608 JB 1E 104K-T
C448	4030006880	S.CER C1608 JB 1H 472K-T
C449	4510008410	ELE 25 ME 4R7 HC
C450	4030006880	S.CER C1608 JB 1H 472K-T
C451	4510008410	ELE 25 ME 4R7 HC
C452	4030006880	S.CER C1608 JB 1H 472K-T
C454	4030006880	S.CER C1608 JB 1H 472K-T
C455	4510004591	ELE 16 ME 470 HC
C456	4030007010	S.CER C1608 CH 1H 100D-T
C457	4030006920	S.CER C1608 CH 1H 010C-T
C458	4030007010	S.CER C1608 CH 1H 100D-T
C459	4030006970	S.CER C1608 CH 1H 060D-T
C460	4030006920	S.CER C1608 CH 1H 010C-T
C461	4030006860	S.CER C1608 JB 1H 102K-T
C462	4030006880	S.CER C1608 JB 1H 472K-T
C463	4030006860	S.CER C1608 JB 1H 102K-T
C464	4030006880	S.CER C1608 JB 1H 472K-T
C501	4030011600	S.CER C1608 JB 1E 104K-T
C502	4510004471	ELE FYL0H 473ZF
C503	4510006160	ELE 25 ME 10 HC
C504	4510003820	ELE 50 ME R22 SWB
C507	4030011600	S.CER C1608 JB 1E 104K-T
C508	4030011600	S.CER C1608 JB 1E 104K-T
C509	4030007020	S.CER C1608 CH 1H 120J-T
C510	4030007020	S.CER C1608 CH 1H 120J-T
C511	4030006880	S.CER C1608 JB 1H 472K-T
C512	4030006880	S.CER C1608 JB 1H 472K-T
C513	4030006880	S.CER C1608 JB 1H 472K-T
C514	4030006880	S.CER C1608 JB 1H 472K-T
C515	4030006880	S.CER C1608 JB 1H 472K-T
C516	4030006880	S.CER C1608 JB 1H 472K-T
C517	4030006880	S.CER C1608 JB 1H 472K-T
C518	4030006880	S.CER C1608 JB 1H 472K-T
C519	4030006880	S.CER C1608 JB 1H 472K-T
C520	4030006880	S.CER C1608 JB 1H 472K-T
C521	4030006880	S.CER C1608 JB 1H 472K-T
C522	4030006880	S.CER C1608 JB 1H 472K-T
C523	4030006880	S.CER C1608 JB 1H 472K-T
C524	4030006880	S.CER C1608 JB 1H 472K-T
C525	4030006880	S.CER C1608 JB 1H 472K-T
C526	4030006880	S.CER C1608 JB 1H 472K-T
C527	4030006880	S.CER C1608 JB 1H 472K-T
C528	4030006880	S.CER C1608 JB 1H 472K-T
C531	4030006880	S.CER C1608 JB 1H 472K-T
C532	4030006880	S.CER C1608 JB 1H 472K-T
C533	4030006880	S.CER C1608 JB 1H 472K-T
C534	4030006880	S.CER C1608 JB 1H 472K-T
C535	4030006880	S.CER C1608 JB 1H 472K-T
C538	4030006880	S.CER C1608 JB 1H 472K-T
C539	4030006880	S.CER C1608 JB 1H 472K-T
C542	4030006880	S.CER C1608 JB 1H 472K-T
C543	4030006880	S.CER C1608 JB 1H 472K-T
C544	4030006880	S.CER C1608 JB 1H 472K-T
C546	4030006880	S.CER C1608 JB 1H 472K-T
C547	4030006880	S.CER C1608 JB 1H 472K-T
C548	4030006880	S.CER C1608 JB 1H 472K-T
C550	4030006880	S.CER C1608 JB 1H 472K-T
C551	4030006880	S.CER C1608 JB 1H 472K-T
C555	4030006880	S.CER C1608 JB 1H 472K-T
C558	4510005120	ELE 16 ME 47 HC
C559	4030006880	S.CER C1608 JB 1H 472K-T
C560	4030006880	S.CER C1608 JB 1H 472K-T
C561	4030007130	S.CER C1608 CH 1H 101J-T
C562	4030008920	S.CER C1608 JB 1H 473K-T
C564	4030006880	S.CER C1608 JB 1H 472K-T
C565	4030006880	S.CER C1608 JB 1H 472K-T
C568	4030006880	S.CER C1608 JB 1H 472K-T
C569	4030006880	S.CER C1608 JB 1H 472K-T
C571	4030008920	S.CER C1608 JB 1H 473K-T
C572	4030008920	S.CER C1608 JB 1H 473K-T
C573	4030008920	S.CER C1608 JB 1H 473K-T
C574	4030007130	S.CER C1608 CH 1H 101J-T
C581	4030006880	S.CER C1608 JB 1H 472K-T
C582	4030006880	S.CER C1608 JB 1H 472K-T
C583	4030006860	S.CER C1608 JB 1H 102K-T
C584	4030006880	S.CER C1608 JB 1H 472K-T
C585	4030011600	S.CER C1608 JB 1E 104K-T
C593	4030011600	S.CER C1608 JB 1E 104K-T
C594	4030011600	S.CER C1608 JB 1E 104K-T
C595	4030011600	S.CER C1608 JB 1E 104K-T
C597	4030006880	S.CER C1608 JB 1H 472K-T
C598	4510008420	ELE 50 ME R47 HC
C599	4510005000	ELE 16 ME 220 HC
C600	4510004910	ELE 16 ME 10 SWN
C601	4510004910	ELE 16 ME 10 SWN
C608	4030011600	S.CER C1608 JB 1E 104K-T
C609	4510008400	ELE 25 ME 22 HC
C610	4030011600	S.CER C1608 JB 1E 104K-T
C614	4510005210	ELE 50 ME 1 SWN
C618	4030007030	S.CER C1608 CH 1H 150J-T
C620	4030006920	S.CER C1608 CH 1H 010C-T
C622	4030006850	S.CER C1608 JB 1H 471K-T
C623	4030009980	S.CER C1608 JB 1H 152K-T
C624	4030007140	S.CER C1608 CH 1H 121J-T
C625	4030006870	S.CER C1608 JB 1H 222K-T
C627	4030011280	S.CER C1608 CH 1H 271J-T
C628	4030007030	S.CER C1608 CH 1H 150J-T
C629	4030008850	S.CER C1608 JB 1H 123K-T

S.=Surface mount

[MAIN-J UNIT]

REF NO.	ORDER NO.	DESCRIPTION	
C631	4510008410	ELE	25 ME 4R7 HC
C632	4510006160	ELE	25 ME 10 HC
C633	4030008920	S.CER	C1608 JB 1H 473K-T
C634	4030008920	S.CER	C1608 JB 1H 473K-T
C635	4510003790	ELE	16 ME 10 SWB
C637	4030006860	S.CER	C1608 JB 1H 102K-T
C639	4030009980	S.CER	C1608 JB 1H 152K-T
C640	4030006880	S.CER	C1608 JB 1H 472K-T
C641	4030006880	S.CER	C1608 JB 1H 472K-T
C642	4030006880	S.CER	C1608 JB 1H 472K-T
C643	4030006880	S.CER	C1608 JB 1H 472K-T
C644	4030006880	S.CER	C1608 JB 1H 472K-T
C645	4030006880	S.CER	C1608 JB 1H 472K-T
C646	4030006860	S.CER	C1608 JB 1H 102K-T
C647	4030006850	S.CER	C1608 JB 1H 471K-T
C648	4030006880	S.CER	C1608 JB 1H 472K-T
C649	4030011600	S.CER	C1608 JB 1E 104K-T
C650	4030008920	S.CER	C1608 JB 1H 473K-T
C651	4030007050	S.CER	C1608 CH 1H 220J-T
C652	4030011600	S.CER	C1608 JB 1E 104K-T
C653	4030011600	S.CER	C1608 JB 1E 104K-T
C654	4030006880	S.CER	C1608 JB 1H 472K-T
C655	4030011600	S.CER	C1608 JB 1E 104K-T
C656	4030011600	S.CER	C1608 JB 1E 104K-T
C657	4030011600	S.CER	C1608 JB 1E 104K-T
C658	4030011600	S.CER	C1608 JB 1E 104K-T
C659	4030011600	S.CER	C1608 JB 1E 104K-T
C660	4030011600	S.CER	C1608 JB 1E 104K-T
C661	4030011600	S.CER	C1608 JB 1E 104K-T
C662	4030011600	S.CER	C1608 JB 1E 104K-T
C663	4030007050	S.CER	C1608 CH 1H 220J-T
C664	4030006880	S.CER	C1608 JB 1H 472K-T
C665	4030006880	S.CER	C1608 JB 1H 472K-T
C666	4030006880	S.CER	C1608 JB 1H 472K-T
C667	4030006880	S.CER	C1608 JB 1H 472K-T
C668	4030006880	S.CER	C1608 JB 1H 472K-T
C669	4030006880	S.CER	C1608 JB 1H 472K-T
C670	4510005150	ELE	50 ME 10 HC
C671	4510004990	ELE	16 ME 100 HC
C672	4510004990	ELE	16 ME 100 HC
C673	4510004990	ELE	16 ME 100 HC
C674	4510003840	ELE	50 ME 1 SWB
C675	4030006880	S.CER	C1608 JB 1H 472K-T
C676	4030006880	S.CER	C1608 JB 1H 472K-T
C677	4030006880	S.CER	C1608 JB 1H 472K-T
C678	4030006880	S.CER	C1608 JB 1H 472K-T
C679	4030006880	S.CER	C1608 JB 1H 472K-T
C682	4030011600	S.CER	C1608 JB 1E 104K-T
C683	4510004910	ELE	16 ME 10 SWN
C684	4510008420	ELE	50 ME R47 HC
C685	4030011600	S.CER	C1608 JB 1E 104K-T
	4030011600	S.CER	C1608 JB 1E 104K-T
	4030011600	S.CER	C1608 JB 1E 104K-T
	4030011600	S.CER	C1608 JB 1E 104K-T
C686	4510001910	ELE	25 MS7 10UF (5X7)
	4510001910	ELE	25 MS7 10UF (5X7)
	4510001910	ELE	25 MS7 10UF (5X7)
	4510001910	ELE	25 MS7 10UF (5X7)
C687	4510001910	ELE	25 MS7 10UF (5X7)
	4510001910	ELE	25 MS7 10UF (5X7)
	4510001910	ELE	25 MS7 10UF (5X7)
	4510001910	ELE	25 MS7 10UF (5X7)
C688	4510001910	ELE	25 MS7 10UF (5X7)
	4510001910	ELE	25 MS7 10UF (5X7)
	4510001910	ELE	25 MS7 10UF (5X7)
C690	4030011600	S.CER	C1608 JB 1E 104K-T
C708	4030011600	S.CER	C1608 JB 1E 104K-T
	4030011600	S.CER	C1608 JB 1E 104K-T
	4030011600	S.CER	C1608 JB 1E 104K-T
	4030011600	S.CER	C1608 JB 1E 104K-T
C711	4030011600	S.CER	C1608 JB 1E 104K-T
	4030011600	S.CER	C1608 JB 1E 104K-T
	4030011600	S.CER	C1608 JB 1E 104K-T
	4030011600	S.CER	C1608 JB 1E 104K-T
C712	4030011600	S.CER	C1608 JB 1E 104K-T
C713	4030011600	S.CER	C1608 JB 1E 104K-T
C717	4030006880	S.CER	C1608 JB 1H 472K-T
C718	4030011600	S.CER	C1608 JB 1E 104K-T
C901	4510001360	ELE	16 MS5 22UF
C1051	4030006880	S.CER	C1608 JB 1H 472K-T
RL2	6330001320	REL	AHY103
J1	6510017150	CON	TMP-S01X-C1
J2	6510017150	CON	TMP-S01X-C1
J3	6510007020	CON	TMP-J01X-V6
J4	6510007020	CON	TMP-J01X-V6
J5	6510007020	CON	TMP-J01X-V6
J6	6510026710	CON	JY-6316*01-040
J7	6450001440	CON	HSJ1403-01-010
J9	6510017660	CON	52045-1645
J11	6510023120	CON	CD6109SA1J0 <CVI>
J12	6450001581	CON	TCS5073-2841577
J13	6510024541	CON	TCS5073-2741577
J15	6510003401	CON	B04B-EH-S(LF)(SN)
J16	6510003431	CON	B07B-EH-S(LF)(SN)
J19	6510017660	CON	52045-1645
J20	6510003391	CON	B03B-EH-S(LF)(SN)
J22	6510017650	CON	52045-1045
J23	6510003401	CON	B04B-EH-S(LF)(SN)
J29	6510018150	S.CON	4-175638-0

[MAIN-J UNIT]

REF NO.	ORDER NO.	DESCRIPTION	
J30	6510017950	S.CON	4-175638-4
J32	6510010021	CON	RTB-1.5-2F(LF)
J33	6450001560	CON	PD-72
S9	2220000760	SWI	MHS121
S11	2220000760	SWI	MHS121
W1	7120000470	JUM	ERDS2T0
W11	7120000470	JUM	ERDS2T0
W13	7120000470	JUM	ERDS2T0

S.=Surface mount

[PLL UNIT]

REF NO.	ORDER NO.	DESCRIPTION	
WS1	8970022071	CBL	SX1632 1.5D -1 (3)/PL
IC3001	1140007881	S.IC	TC190G08EFG0046JDZ/SC1246A
IC3002	1140014960	S.IC	TC190G02EFG-0058/SC1287A
IC3003	1180001071	S.IC	TA7805F(TE16L,Q) [GEN-21]
	1180001071	S.IC	TA7805F(TE16L,Q) [GEN-22]
	1180001070	S.IC	TA7805F(TE16L) [GEN-25]
	1180001071	S.IC	TA7805F(TE16L,Q) [CHN]
	1180001070	S.IC	TA7805F(TE16L) [EUR-21]
IC3004	1130004831	S.IC	TC7SU04F(TE85R,F) [GEN-21]
	1130004831	S.IC	TC7SU04F(TE85R,F) [GEN-22]
	1130004830	S.IC	TC7SU04F (TE85R) [GEN-25]
	1130004831	S.IC	TC7SU04F(TE85R,F) [CHN]
	1130004831	S.IC	TC7SU04F(TE85R,F) [EUR-21]
IC3005	1130007660	S.IC	LC7153M-TLM [GEN-21]
	1130007660	S.IC	LC7153M-TLM [GEN-22]
	1130007661	S.IC	LC7153M-TLM-E [GEN-25]
	1130007660	S.IC	LC7153M-TLM [CHN]
	1130007661	S.IC	LC7153M-TLM-E [EUR-21]
IC3006	1130004831	S.IC	TC7SU04F(TE85R,F) [GEN-21]
	1130004831	S.IC	TC7SU04F(TE85R,F) [GEN-22]
	1130004830	S.IC	TC7SU04F (TE85R) [GEN-25]
	1130004831	S.IC	TC7SU04F(TE85R,F) [CHN]
	1130004831	S.IC	TC7SU04F(TE85R,F) [EUR-21]
IC3008	1130004831	S.IC	TC7SU04F(TE85R,F) [GEN-21]
	1130004831	S.IC	TC7SU04F(TE85R,F) [GEN-22]
	1130004830	S.IC	TC7SU04F (TE85R) [GEN-25]
	1130004831	S.IC	TC7SU04F(TE85R,F) [CHN]
	1130004831	S.IC	TC7SU04F(TE85R,F) [EUR-21]
Q3001	1530002601	S.TRA	2SC4215-O(TE85R,F) [GEN-21]
	1530002601	S.TRA	2SC4215-O(TE85R,F) [GEN-22]
	1530002600	S.TRA	2SC4215-O (TE85R) [GEN-25]
	1530002601	S.TRA	2SC4215-O(TE85R,F) [CHN]
	1530002601	S.TRA	2SC4215-O(TE85R,F) [EUR-21]
Q3002	1530002601	S.TRA	2SC4215-O(TE85R,F) [GEN-21]
	1530002601	S.TRA	2SC4215-O(TE85R,F) [GEN-22]
	1530002600	S.TRA	2SC4215-O (TE85R) [GEN-25]
	1530002601	S.TRA	2SC4215-O(TE85R,F) [CHN]
	1530002601	S.TRA	2SC4215-O(TE85R,F) [EUR-21]
Q3003	1560000721	S.FET	2SK2171-4-TD-E
Q3004	1530002601	S.TRA	2SC4215-O(TE85R,F) [GEN-21]
	1530002601	S.TRA	2SC4215-O(TE85R,F) [GEN-22]
	1530002600	S.TRA	2SC4215-O (TE85R) [GEN-25]
	1530002601	S.TRA	2SC4215-O(TE85R,F) [CHN]
	1530002601	S.TRA	2SC4215-O(TE85R,F) [EUR-21]
Q3005	1560000331	S.FET	2SK210-GR(TE85R,F)
Q3006	1530002691	S.TRA	2SC4116-GR(TE85R,F) [GEN-21]
	1530002691	S.TRA	2SC4116-GR(TE85R,F) [GEN-22]
	1530002690	S.TRA	2SC4116-GR (TE85R) [GEN-25]
	1530002691	S.TRA	2SC4116-GR(TE85R,F) [CHN]
	1530002691	S.TRA	2SC4116-GR(TE85R,F) [EUR-21]
Q3007	1530002601	S.TRA	2SC4215-O(TE85R,F) [GEN-21]
	1530002601	S.TRA	2SC4215-O(TE85R,F) [GEN-22]
	1530002600	S.TRA	2SC4215-O (TE85R) [GEN-25]
	1530002601	S.TRA	2SC4215-O(TE85R,F) [CHN]
	1530002601	S.TRA	2SC4215-O(TE85R,F) [EUR-21]
Q3008	1530002601	S.TRA	2SC4215-O(TE85R,F) [GEN-21]
	1530002601	S.TRA	2SC4215-O(TE85R,F) [GEN-22]
	1530002600	S.TRA	2SC4215-O (TE85R) [GEN-25]
	1530002601	S.TRA	2SC4215-O(TE85R,F) [CHN]
	1530002601	S.TRA	2SC4215-O(TE85R,F) [EUR-21]
Q3010	1530002691	S.TRA	2SC4116-GR(TE85R,F) [GEN-21]
	1530002691	S.TRA	2SC4116-GR(TE85R,F) [GEN-22]
	1530002690	S.TRA	2SC4116-GR (TE85R) [GEN-25]
	1530002691	S.TRA	2SC4116-GR(TE85R,F) [CHN]
	1530002691	S.TRA	2SC4116-GR(TE85R,F) [EUR-21]
Q3011	1530002601	S.TRA	2SC4215-O(TE85R,F) [GEN-21]
	1530002601	S.TRA	2SC4215-O(TE85R,F) [GEN-22]
	1530002600	S.TRA	2SC4215-O (TE85R) [GEN-25]
	1530002601	S.TRA	2SC4215-O(TE85R,F) [CHN]
	1530002601	S.TRA	2SC4215-O(TE85R,F) [EUR-21]
Q3021	1530002601	S.TRA	2SC4215-O(TE85R,F) [GEN-21]
	1530002601	S.TRA	2SC4215-O(TE85R,F) [GEN-22]
	1530002600	S.TRA	2SC4215-O (TE85R) [GEN-25]
	1530002601	S.TRA	2SC4215-O(TE85R,F) [CHN]
	1530002601	S.TRA	2SC4215-O(TE85R,F) [EUR-21]
Q3022	1590001330	S.TRA	DTA114EUA T106
Q3024	1530002601	S.TRA	2SC4215-O(TE85R,F) [GEN-21]
	1530002601	S.TRA	2SC4215-O(TE85R,F) [GEN-22]
	1530002600	S.TRA	2SC4215-O (TE85R) [GEN-25]
	1530002601	S.TRA	2SC4215-O(TE85R,F) [CHN]
	1530002601	S.TRA	2SC4215-O(TE85R,F) [EUR-21]
Q3025	1530002691	S.TRA	2SC4116-GR(TE85R,F) [GEN-21]
	1530002691	S.TRA	2SC4116-GR(TE85R,F) [GEN-22]
	1530002690	S.TRA	2SC4116-GR (TE85R) [GEN-25]
	1530002691	S.TRA	2SC4116-GR(TE85R,F) [CHN]
	1530002691	S.TRA	2SC4116-GR(TE85R,F) [EUR-21]
D3001	1750000271	S.DIO	1SS301(TE85L,F)
D3002	1750000271	S.DIO	1SS301(TE85L,F)
D3003	1790000540	S.VAR	MA338(TX)
D3004	1720000671	S.VAR	HVU17TRF-E
D3005	1750000071	S.DIO	1SS226(TE85R,F)
D3015	1790000491	S.DIO	HSM88ASTR-E
D3016	1790000491	S.DIO	HSM88ASTR-E
D3020	1720000671	S.VAR	HVU17TRF-E
FI3001	2020001140	S.CER	SFECA10.7MA5-A-TC(SFECA10.7MA-

[PLL UNIT]

REF NO.	ORDER NO.	DESCRIPTION	
X3001	6050011400	XTA	CR-282. POC 30.00000 MHz
L3001	6200001831	S.COI	NLV32T-100J
L3002	6170000231	COI	LW-25A
L3003	6150004370	COI	LS-472C (C-15045)
L3004	6150004250	COI	LS-471A (C-14922)
L3005	6150004250	COI	LS-471A (C-14922)
L3007	6200003261	S.COI	NLV32T-101J
L3008	6180001220	COI	LAL 04NA 100K
L3009	6200003261	S.COI	NLV32T-101J
L3010	6200003101	S.COI	NLV32T-3R9J
L3012	6200003261	S.COI	NLV32T-101J
L3013	6130001850	COI	LB-185
L3015	6200001831	S.COI	NLV32T-100J
L3016	6200003261	S.COI	NLV32T-101J
L3017	6200009300	S.COI	ELJPA 100KF 10U
L3019	6200001831	S.COI	NLV32T-100J
L3020	6170000181	COI	LW-19A
L3021	6170000231	COI	LW-25A
L3022	6200003261	S.COI	NLV32T-101J
L3023	6200003261	S.COI	NLV32T-101J
L3024	6190001551	COI	#E544GN-110272
L3026	6200003261	S.COI	NLV32T-101J
L3028	6200003261	S.COI	NLV32T-101J
L3035	6200003431	S.COI	NLV32T-R10J
L3036	6200003431	S.COI	NLV32T-R10J
L3037	6200003121	S.COI	NLV32T-8R2J
L3038	6200001831	S.COI	NLV32T-100J
L3040	6200003321	S.COI	NLV32T-3R3J
L3041	2040000490	COI	EXC-ELDR25C
L3042	2040000490	COI	EXC-ELDR25C
L3043	6200003421	S.COI	NLV32T-R15J
L3044	6200003431	S.COI	NLV32T-R10J
L3045	6180000880	COI	LAL 03NA 100K
L3046	6200001831	S.COI	NLV32T-100J
L3047	6200001831	S.COI	NLV32T-100J
R3001	7030003580	S.RES	ERJ3GEYJ 153 V (15K)
R3002	7030003520	S.RES	ERJ3GEYJ 472 V (4.7K)
R3003	7030003400	S.RES	ERJ3GEYJ 471 V (470)
R3005	7030003280	S.RES	ERJ3GEYJ 470 V (47)
R3006	7030003320	S.RES	ERJ3GEYJ 101 V (100)
R3007	7030003600	S.RES	ERJ3GEYJ 223 V (22K)
R3008	7030003560	S.RES	ERJ3GEYJ 103 V (10K)
R3009	7030003360	S.RES	ERJ3GEYJ 221 V (220)
R3010	7030000820	RES	ERG1SJ 220 (22)
R3011	7030003320	S.RES	ERJ3GEYJ 101 V (100)
R3012	7030003440	S.RES	ERJ3GEYJ 102 V (1K)
R3014	7030003800	S.RES	ERJ3GEYJ 105 V (1M)
R3017	7030003440	S.RES	ERJ3GEYJ 102 V (1K)
R3018	7030003430	S.RES	ERJ3GEYJ 821 V (820)
R3019	7030003340	S.RES	ERJ3GEYJ 151 V (150)
R3020	7030007220	S.RES	ERA3YED 202V (2K)
R3021	7030007220	S.RES	ERA3YED 202V (2K)
R3022	7030007230	S.RES	ERA3YED 102V (1K)
R3023	7030007220	S.RES	ERA3YED 202V (2K)
R3024	7030007230	S.RES	ERA3YED 102V (1K)
R3025	7030007220	S.RES	ERA3YED 202V (2K)
R3026	7030007230	S.RES	ERA3YED 102V (1K)
R3027	7030007220	S.RES	ERA3YED 202V (2K)
R3028	7030007230	S.RES	ERA3YED 102V (1K)
R3029	7030007220	S.RES	ERA3YED 202V (2K)
R3030	7030007230	S.RES	ERA3YED 102V (1K)
R3031	7030007220	S.RES	ERA3YED 202V (2K)
R3032	7030007230	S.RES	ERA3YED 102V (1K)
R3033	7030007220	S.RES	ERA3YED 202V (2K)
R3034	7030007210	S.RES	ERA3YEB 102V (1K)
R3035	7030007200	S.RES	ERA3YEB 202V (2K)
R3036	7030007210	S.RES	ERA3YEB 102V (1K)
R3037	7030007200	S.RES	ERA3YEB 202V (2K)
R3038	7030007210	S.RES	ERA3YEB 102V (1K)
R3039	7030007200	S.RES	ERA3YEB 202V (2K)
R3040	7030007210	S.RES	ERA3YEB 102V (1K)
R3041	7030007200	S.RES	ERA3YEB 202V (2K)
R3042	7030007210	S.RES	ERA3YEB 102V (1K)
R3043	7030007200	S.RES	ERA3YEB 202V (2K)
R3044	7030003380	S.RES	ERJ3GEYJ 331 V (330)
R3045	7030003800	S.RES	ERJ3GEYJ 105 V (1M)
R3046	7030003570	S.RES	ERJ3GEYJ 123 V (12K)
R3048	7030003360	S.RES	ERJ3GEYJ 221 V (220)
R3050	7030003360	S.RES	ERJ3GEYJ 221 V (220)
R3052	7030003340	S.RES	ERJ3GEYJ 151 V (150)
R3053	7030003270	S.RES	ERJ3GEYJ 390 V (39)
R3054	7030003340	S.RES	ERJ3GEYJ 151 V (150)
R3055	7030003320	S.RES	ERJ3GEYJ 101 V (100)
R3056	7030003650	S.RES	ERJ3GEYJ 563 V (56K)
R3057	7030003360	S.RES	ERJ3GEYJ 101 V (100)
R3058	7030003250	S.RES	ERJ3GEYJ 270 V (27)
R3060	7030003320	S.RES	ERJ3GEYJ 101 V (100)
R3061	7030003680	S.RES	ERJ3GEYJ 104 V (100K)
R3062	7030003680	S.RES	ERJ3GEYJ 104 V (100K)
R3063	7030003340	S.RES	ERJ3GEYJ 151 V (150)
R3064	7030003690	S.RES	ERJ3GEYJ 124 V (120K)
R3065	7030003320	S.RES	ERJ3GEYJ 101 V (100)
R3066	7030003400	S.RES	ERJ3GEYJ 471 V (470)
R3067	7030003400	S.RES	ERJ3GEYJ 471 V (470)
R3068	7030003320	S.RES	ERJ3GEYJ 101 V (100)
R3069	7030003480	S.RES	ERJ3GEYJ 222 V (2.2K)
R3070	7030003400	S.RES	ERJ3GEYJ 471 V (470)
R3071	7030003320	S.RES	ERJ3GEYJ 101 V (100)
R3072	7030003640	S.RES	ERJ3GEYJ 473 V (47K)
R3074	7030003600	S.RES	ERJ3GEYJ 223 V (22K)

[PLL UNIT]

REF NO.	ORDER NO.	DESCRIPTION
R3077	7030003430	S.RES ERJ3GEYJ 821 V (820)
R3079	7030003800	S.RES ERJ3GEYJ 105 V (1M)
R3080	7030003650	S.RES ERJ3GEYJ 563 V (56K)
R3081	7030003520	S.RES ERJ3GEYJ 472 V (4.7K)
R3082	7030003380	S.RES ERJ3GEYJ 331 V (330)
R3083	7030003360	S.RES ERJ3GEYJ 221 V (220)
R3084	7030003480	S.RES ERJ3GEYJ 222 V (2.2K)
R3085	7030003280	S.RES ERJ3GEYJ 470 V (47)
R3086	7030003560	S.RES ERJ3GEYJ 103 V (10K)
R3087	7030003240	S.RES ERJ3GEYJ 220 V (22)
R3090	7030003520	S.RES ERJ3GEYJ 472 V (4.7K)
R3091	7030003440	S.RES ERJ3GEYJ 102 V (1K)
R3092	7030003320	S.RES ERJ3GEYJ 101 V (100)
R3093	7030003640	S.RES ERJ3GEYJ 473 V (47K)
R3095	7030003520	S.RES ERJ3GEYJ 472 V (4.7K)
R3097	7030003640	S.RES ERJ3GEYJ 473 V (47K)
R3098	7030003640	S.RES ERJ3GEYJ 473 V (47K)
R3099	7030003320	S.RES ERJ3GEYJ 101 V (100)
R3100	7030003350	S.RES ERJ3GEYJ 181 V (180)
R3103	7030003280	S.RES ERJ3GEYJ 470 V (47)
R3104	7030003400	S.RES ERJ3GEYJ 471 V (470)
R3105	7030003430	S.RES ERJ3GEYJ 821 V (820)
R3120	7030007220	S.RES ERA3YED 202V (2K)
R3121	7030007220	S.RES ERA3YED 202V (2K)
R3122	7030007230	S.RES ERA3YED 102V (1K)
R3123	7030007220	S.RES ERA3YED 202V (2K)
R3124	7030007230	S.RES ERA3YED 102V (1K)
R3125	7030007220	S.RES ERA3YED 202V (2K)
R3126	7030007230	S.RES ERA3YED 102V (1K)
R3127	7030007220	S.RES ERA3YED 202V (2K)
R3128	7030007230	S.RES ERA3YED 102V (1K)
R3129	7030007220	S.RES ERA3YED 202V (2K)
R3130	7030007230	S.RES ERA3YED 102V (1K)
R3131	7030007220	S.RES ERA3YED 202V (2K)
R3132	7030007230	S.RES ERA3YED 102V (1K)
R3133	7030007220	S.RES ERA3YED 202V (2K)
R3134	7030007210	S.RES ERA3YEB 102V (1K)
R3135	7030007200	S.RES ERA3YEB 202V (2K)
R3136	7030007210	S.RES ERA3YEB 102V (1K)
R3137	7030007200	S.RES ERA3YEB 202V (2K)
R3138	7030007210	S.RES ERA3YEB 102V (1K)
R3139	7030007200	S.RES ERA3YEB 202V (2K)
R3140	7030003440	S.RES ERJ3GEYJ 102 V (1K)
R3141	7030003440	S.RES ERJ3GEYJ 102 V (1K)
R3142	7030003440	S.RES ERJ3GEYJ 102 V (1K)
R3143	7030003440	S.RES ERJ3GEYJ 102 V (1K)
R3144	7030003440	S.RES ERJ3GEYJ 102 V (1K)
R3145	7030003440	S.RES ERJ3GEYJ 102 V (1K)
R3146	7030003440	S.RES ERJ3GEYJ 102 V (1K)
R3147	7030003440	S.RES ERJ3GEYJ 102 V (1K)
R3148	7030003440	S.RES ERJ3GEYJ 102 V (1K)
R3151	7030003440	S.RES ERJ3GEYJ 102 V (1K)
R3152	7030003440	S.RES ERJ3GEYJ 102 V (1K)
R3153	7030003440	S.RES ERJ3GEYJ 102 V (1K)
R3154	7030003440	S.RES ERJ3GEYJ 102 V (1K)
R3168	7030003520	S.RES ERJ3GEYJ 472 V (4.7K)
R3173	7030003320	S.RES ERJ3GEYJ 101 V (100)
R3174	7030003380	S.RES ERJ3GEYJ 331 V (330)
R3176	7030003640	S.RES ERJ3GEYJ 473 V (47K)
R3177	7030003640	S.RES ERJ3GEYJ 473 V (47K)
R3178	7030003640	S.RES ERJ3GEYJ 473 V (47K)
R3179	7030003640	S.RES ERJ3GEYJ 473 V (47K)
R3180	7030003640	S.RES ERJ3GEYJ 473 V (47K)
R3181	7030003640	S.RES ERJ3GEYJ 473 V (47K)
R3183	7030003640	S.RES ERJ3GEYJ 473 V (47K)
R3184	7030003640	S.RES ERJ3GEYJ 473 V (47K)
R3186	7030003360	S.RES ERJ3GEYJ 221 V (220)
R3187	7030003640	S.RES ERJ3GEYJ 473 V (47K)
R3188	7030003440	S.RES ERJ3GEYJ 102 V (1K)
R3189	7030003440	S.RES ERJ3GEYJ 102 V (1K)
R3190	7030003440	S.RES ERJ3GEYJ 102 V (1K)
R3191	7030003440	S.RES ERJ3GEYJ 102 V (1K)
R3193	7030003430	S.RES ERJ3GEYJ 821 V (820)
R3194	7030003460	S.RES ERJ3GEYJ 152 V (1.5K)
R3195	7030003380	S.RES ERJ3GEYJ 331 V (330)
R3196	7030003400	S.RES ERJ3GEYJ 471 V (470)
R3197	7030003490	S.RES ERJ3GEYJ 272 V (2.7K)
R3198	7030003320	S.RES ERJ3GEYJ 101 V (100)
R3199	7030003360	S.RES ERJ3GEYJ 221 V (220)
R3200	7030003360	S.RES ERJ3GEYJ 221 V (220)
R3201	7030003680	S.RES ERJ3GEYJ 104 V (100K)
R3211	7030003440	S.RES ERJ3GEYJ 102 V (1K)
R3220	7030004040	S.RES ERJ3GEYJ 477 V (4.7)
R3221	7030003840	S.RES ERJ3GEYJ 225 V (2.2M)
R3222	7030003220	S.RES ERJ3GEYJ 150 V (15)
R3223	7310005150	S.TRI RH03ADCJ5X (220K)
W3007	7030003860	S.RES ERJ3GE JPW V
W3010	7030003860	S.RES ERJ3GE JPW V
W3011	7030003860	S.RES ERJ3GE JPW V
C3001	4030008320	S.CER C1608 UJ 1H 470J-T
C3002	4030006880	S.CER C1608 JB 1H 472K-T
C3003	4030018710	S.CER GRM1882S1H820JZ01D
C3004	4030007630	S.CER C1608 RH 1H 121J-T
	4030007630	S.CER C1608 RH 1H 121J-T
	4030007630	S.CER C1608 RH 1H 121J-T
	4030007630	S.CER C1608 RH 1H 121J-T
	4030018720	S.CER GRM1882S1H121JZ01D
C3005	4030006880	S.CER C1608 JB 1H 472K-T
C3006	4510008490	S.ELE EEE1CS100SR
C3007	4030006860	S.CER C1608 JB 1H 102K-T

[GEN-21]
[GEN-22]
[GEN-25]
[CHN]
[EUR-21]

[PLL UNIT]

REF NO.	ORDER NO.	DESCRIPTION
C3008	4030006880	S.CER C1608 JB 1H 472K-T
C3009	4030007030	S.CER C1608 CH 1H 150J-T
C3010	4030006910	S.CER C1608 CH 1H 0R5C-T
C3011	4030007030	S.CER C1608 CH 1H 150J-T
C3012	4510008540	S.ELE EEE1CA100SR
C3013	4030006880	S.CER C1608 JB 1H 472K-T
C3014	4030006860	S.CER C1608 JB 1H 102K-T
C3015	4510008490	S.ELE EEE1CS100SR
C3016	4030006880	S.CER C1608 JB 1H 472K-T
C3017	4510008540	S.ELE EEE1CA100SR
C3018	4510008520	S.ELE EEE1CA470SP
C3019	4030006880	S.CER C1608 JB 1H 472K-T
C3020	4030006860	S.CER C1608 JB 1H 102K-T
C3021	4030006880	S.CER C1608 JB 1H 472K-T
C3023	4510008520	S.ELE EEE1CA470SP
C3024	4030006880	S.CER C1608 JB 1H 472K-T
C3025	4030006880	S.CER C1608 JB 1H 472K-T
C3026	4030006880	S.CER C1608 JB 1H 472K-T
C3027	4030006880	S.CER C1608 JB 1H 472K-T
C3030	4030006880	S.CER C1608 JB 1H 472K-T
C3031	4030011600	S.CER C1608 JB 1E 104K-T
C3032	4030011600	S.CER C1608 JB 1E 104K-T
C3033	4030006880	S.CER C1608 JB 1H 472K-T
C3034	4030006880	S.CER C1608 JB 1H 472K-T
C3035	4030006880	S.CER C1608 JB 1H 472K-T
C3036	4030006880	S.CER C1608 JB 1H 472K-T
C3037	4030006880	S.CER C1608 JB 1H 472K-T
C3038	4030006880	S.CER C1608 JB 1H 472K-T
C3039	4030010000	S.CER C1608 CH 1H 510J-T
C3040	4030006960	S.CER C1608 CH 1H 050C-T
C3041	4030010000	S.CER C1608 CH 1H 510J-T
C3042	4030006880	S.CER C1608 JB 1H 472K-T
C3043	4030006860	S.CER C1608 JB 1H 102K-T
C3044	4550000730	S.TAN TEESVA 0J 225M8R
C3045	4030007010	S.CER C1608 CH 1H 100D-T
C3046	4030007080	S.CER C1608 CH 1H 390J-T
C3047	4030006880	S.CER C1608 JB 1H 472K-T
C3048	4030018020	S.CER C1608 CH 1H 910J-T
C3049	4610001820	S.TRI TZB4P300AB10R00(TZBX4P300BA110)
C3050	4030007150	S.CER C1608 CH 1H 151J-T
C3052	4030006880	S.CER C1608 JB 1H 472K-T
C3053	4510008490	S.ELE EEE1CS100SR
C3054	4030007150	S.CER C1608 CH 1H 151J-T
C3055	4030007150	S.CER C1608 CH 1H 151J-T
C3056	4030007010	S.CER C1608 CH 1H 100D-T
C3059	4030006880	S.CER C1608 JB 1H 472K-T
C3060	4030006880	S.CER C1608 JB 1H 472K-T
C3061	4030006880	S.CER C1608 JB 1H 472K-T
C3062	4510008490	S.ELE EEE1CS100SR
C3063	4030006880	S.CER C1608 JB 1H 472K-T
C3064	4030006880	S.CER C1608 JB 1H 472K-T
C3065	4030006880	S.CER C1608 JB 1H 472K-T
C3066	4030006860	S.CER C1608 JB 1H 102K-T
C3067	4030006880	S.CER C1608 JB 1H 472K-T
C3068	4030006880	S.CER C1608 JB 1H 472K-T
C3069	4030006880	S.CER C1608 JB 1H 472K-T
C3070	4030006880	S.CER C1608 JB 1H 472K-T
C3071	4030007130	S.CER C1608 CH 1H 101J-T
C3072	4030006880	S.CER C1608 JB 1H 472K-T
C3073	4510008490	S.ELE EEE1CS100SR
C3077	4030006880	S.CER C1608 JB 1H 472K-T
C3083	4030006860	S.CER C1608 JB 1H 102K-T
C3084	4550006050	S.TAN TEESVA 0J 106M8R
C3085	4550006110	S.TAN TEESVB2 0J 336M8R
C3086	4340000100	S.MYL ECHU 1C 473JB5
C3087	4510008490	S.ELE EEE1CS100SR
C3088	4030011600	S.CER C1608 JB 1E 104K-T
C3089	4030006880	S.CER C1608 JB 1H 472K-T
C3090	4030006860	S.CER C1608 JB 1H 102K-T
C3091	4030007140	S.CER C1608 CH 1H 121J-T
C3092	4030011340	S.CER C1608 CH 1H 471J-T
C3093	4510004591	ELE 16 ME 470 HC
C3094	4030006860	S.CER C1608 JB 1H 102K-T
C3095	4030011600	S.CER C1608 JB 1E 104K-T
C3096	4510004591	ELE 16 ME 470 HC
C3097	4030006880	S.CER C1608 JB 1H 472K-T
C3098	4030006920	S.CER C1608 CH 1H 010C-T
C3099	4030006860	S.CER C1608 JB 1H 102K-T
C3100	4030006880	S.CER C1608 JB 1H 472K-T
C3101	4030006930	S.CER C1608 CH 1H 020C-T
C3102	4030006880	S.CER C1608 JB 1H 472K-T
C3105	4030006860	S.CER C1608 JB 1H 102K-T
C3106	4030006880	S.CER C1608 JB 1H 472K-T
C3109	4030006880	S.CER C1608 JB 1H 472K-T
C3110	4030006880	S.CER C1608 JB 1H 472K-T
C3111	4030006880	S.CER C1608 JB 1H 472K-T
C3124	4030007090	S.CER C1608 CH 1H 470J-T
C3125	4030006860	S.CER C1608 JB 1H 102K-T
C3129	4030006880	S.CER C1608 JB 1H 472K-T
C3130	4030007110	S.CER C1608 CH 1H 680J-T
C3132	4030006960	S.CER C1608 CH 1H 050C-T
C3133	4030006880	S.CER C1608 JB 1H 472K-T
C3135	4030007060	S.CER C1608 CH 1H 270J-T
C3136	4030007020	S.CER C1608 CH 1H 120J-T
C3137	4030007060	S.CER C1608 CH 1H 270J-T
C3138	4030006980	S.CER C1608 CH 1H 070D-T
C3139	4030007040	S.CER C1608 CH 1H 180J-T
C3141	4030006880	S.CER C1608 JB 1H 472K-T
C3142	4030006880	S.CER C1608 JB 1H 472K-T
C3143	4030006880	S.CER C1608 JB 1H 472K-T
C3144	4030006880	S.CER C1608 JB 1H 472K-T
C3145	4030006880	S.CER C1608 JB 1H 472K-T
C3154	4030007040	S.CER C1608 CH 1H 180J-T
C3155	4030007000	S.CER C1608 CH 1H 090D-T

[PLL UNIT]

REF NO.	ORDER NO.	DESCRIPTION
C3156	4030007060	S.CER C1608 CH 1H 270J-T
C3157	4030006960	S.CER C1608 CH 1H 050C-T
C3158	4030008560	S.CER C1608 CH 1H 300J-T
C3161	4030006880	S.CER C1608 JB 1H 472K-T
C3164	4030006880	S.CER C1608 JB 1H 472K-T
C3165	4030006880	S.CER C1608 JB 1H 472K-T
C3170	4030007090	S.CER C1608 CH 1H 470J-T
C3171	4030011280	S.CER C1608 CH 1H 271J-T
C3173	4030006880	S.CER C1608 JB 1H 472K-T
C3174	4030006880	S.CER C1608 JB 1H 472K-T
C3175	4030006880	S.CER C1608 JB 1H 472K-T
C3177	4030006880	S.CER C1608 JB 1H 472K-T
C3178	4030006880	S.CER C1608 JB 1H 472K-T
C3179	4030006880	S.CER C1608 JB 1H 472K-T
C3180	4030006880	S.CER C1608 JB 1H 472K-T
C3181	4030006880	S.CER C1608 JB 1H 472K-T
C3182	4030006860	S.CER C1608 JB 1H 102K-T
C3183	4030007130	S.CER C1608 CH 1H 101J-T
C3201	4030007060	S.CER C1608 CH 1H 270J-T
C3202	4030007010	S.CER C1608 CH 1H 100D-T
C3203	4030006960	S.CER C1608 CH 1H 050C-T
C3204	4030006880	S.CER C1608 JB 1H 472K-T
C3205	4030007090	S.CER C1608 CH 1H 470J-T
J3004	6510003081	CON RT01T-1.0B(LF)
J3005	6510003081	CON RT01T-1.0B(LF)
J3006	6910003141	CON IMSA-9202B-1-02Z041-PT1
J3007	6510017660	CON 52045-1645
P3004	6910003120	CON IMSA-9206H-T

[PA-J UNIT]

REF NO.	ORDER NO.	DESCRIPTION
WS1	8970022011	SX1632 1.5D -1 (1)/PA
WS2	8600034560	M.O SX1632 P4602*4603PA #1-3 [GEN-21]
	8600034560	M.O SX1632 P4602*4603PA #1-3 [GEN-22]
	8600034560	M.O SX1632 P4602*4603PA #1-3 [GEN-25]
	8600034560	M.O SX1632 P4602*4603PA #1-3 [CHN]
J4601	6510000370	CON MR-DS-01
F4601	5220000210	HOL FH-052S
F4602	5220000210	HOL FH-052S
F4603	5210000090	FUS FGB 30A (FGB0 125V)
F4604	5210000090	FUS FGB 30A (FGB0 125V)
W4603	8900005701	CAB OPC-569A
W4604	8900015270	CAB OPC-564A (P1.25,N16,L220)<TJM>
W4605	8900017700	CAB OPC-565A(P1.25,N10,L220) <TJM>
EP4603	6910000340	SHE P101 KD [EUR-21] only
EP4604	6910000340	SHE P101 KD [EUR-21] only
EP4605	6910000340	SHE P101 KD
EP4607	6910000310	OTH B312D [EUR-21] only
EP4608	6910000310	OTH B312D [EUR-21] only
EP4609	6910000310	OTH B312D
EP4611	8930024970	SHE 1241(TBM-F<FB-20>) 2 [EUR-21] only
EP4612	8930024970	SHE 1241(TBM-F<FB-20>) 2 [EUR-21] only

[FILTER-J BOARD]

REF NO.	ORDER NO.	DESCRIPTION
WS1	8970022020	M.O SX1632 1.5D (2)/FI
Q4301	1590002190	TRA DTC114ES TP
D4301	1710000061	DIO 1SS55-T4-AZ 1
D4302	1710000061	DIO 1SS55-T4-AZ 1
D4303	1710000061	DIO 1SS55-T4-AZ 1
D4304	1710000061	DIO 1SS55-T4-AZ 1
D4305	1710000061	DIO 1SS55-T4-AZ 1
D4306	1710000061	DIO 1SS55-T4-AZ 1
D4307	1710000061	DIO 1SS55-T4-AZ 1
D4308	1710000061	DIO 1SS55-T4-AZ 1
D4309	1710000981	DIO MBD701G [GEN-21]
	1710000981	DIO MBD701G [GEN-22]
	1710000981	DIO MBD701G [GEN-25]
	1710000981	DIO MBD701G [CHN]
	1710000981	DIO MBD701G [EUR-21]
D4310	1710000981	DIO MBD701G [GEN-21]
	1710000981	DIO MBD701G [GEN-22]
	1710000981	DIO MBD701G [GEN-25]
	1710000981	DIO MBD701G [CHN]
	1710000981	DIO MBD701G [EUR-21]
D4311	1710000061	DIO 1SS55-T4-AZ 1
L4301	6180000900	COI LAL 03NA 101K
L4302	6140001990	COI LR-226 (T68-2)
L4303	6140002000	COI LR-227 (T68-2)
L4304	6180000900	COI LAL 03NA 101K
L4305	6180000900	COI LAL 03NA 101K
L4306	6140002900	COI LR-263 <KN>
L4307	6140002820	COI LR-235 <KN>
L4308	6140002830	COI LR-236 <KN>
L4309	6180000900	COI LAL 03NA 101K
L4310	6180000900	COI LAL 03NA 101K
L4311	6140002850	COI LR-238 <KN>
L4312	6140002820	COI LR-235 <KN>
L4313	6140002820	COI LR-235 <KN>
L4314	6180000900	COI LAL 03NA 101K
L4315	6180000900	COI LAL 03NA 101K
L4316	6140002840	COI LR-237 <KN>
L4317	6140002900	COI LR-263 <KN>
L4318	6140002900	COI LR-263 <KN>
L4319	6180000900	COI LAL 03NA 101K
L4320	6180000900	COI LAL 03NA 101K
L4321	6140002860	COI LR-241 <KN>
L4322	6140002840	COI LR-237 <KN>
L4323	6140002840	COI LR-237 <KN>
L4324	6180000900	COI LAL 03NA 101K
L4325	6180000900	COI LAL 03NA 101K
L4327	6140002880	COI LR-243 <KN>
L4328	6140002870	COI LR-242 <KN>
L4329	6140002870	COI LR-242 <KN>
L4330	6180000900	COI LAL 03NA 101K
L4331	6180000900	COI LAL 03NA 101K
L4332	6140003580	COI LR-399(3.5%)
L4333	6140003570	COI LR-398 (3.5%)
L4334	6180000900	COI LAL 03NA 101K
L4335	6180000900	COI LAL 03NA 101K
L4336	6140002890	COI LR-262 <KN>
L4337	6140002890	COI LR-262 <KN>
L4338	6180000900	COI LAL 03NA 101K
L4339	6180000900	COI LAL 03NA 101K
L4340	6180000900	COI LAL 03NA 101K
L4341	6140002530	COI LR-291 (TR10X5X5 3A6)
L4342	6140001460	COI LR-170
L4343	6180000900	COI LAL 03NA 101K
L4344	6180000900	COI LAL 03NA 101K
L4345	6140002830	COI LR-236 <KN>
L4346	6140003570	COI LR-398 (3.5%)
R4301	7010004372	RES PSD1/4 22 K
R4302	7010007240	RES PSD1/4V 100 K
R4303	7010006980	RES PSD1/4 10 K
R4304	7010007240	RES PSD1/4V 100 K
R4305	7010007180	RES PSD1/4V 22 K
R4306	7010006980	RES PSD1/4 10 K
R4307	7010004701	RES PSD1/2 68
R4308	7010000912	RES PSN1/4 10
R4309	7540000010	ABS DSA-301LA
R4312	7010004272	RES PSD1/4 4.7K
R4313	7010007140	RES PSD1/4V 4.7K
R4314	7010007290	RES PSD1/4V 1 M
C4301	4020000980	CYL UP050 B 104K-NA-CZ
C4302	4320000270	DIP DM20C 102J5 [GEN-21]
	4320000270	DIP DM20C 102J5 [GEN-22]
	4320000651	DIP KD20C 102J5A [GEN-25]
	4320000270	DIP DM20C 102J5 [CHN]
	4320000651	DIP KD20C 102J5A [EUR-21]
C4303	4010006410	CER HM13SJ SL 471J 500V
C4304	4010006410	CER HM13SJ SL 471J 500V
C4305	4320000320	DIP DM20C 222J5 [GEN-21]
	4320000320	DIP DM20C 222J5 [GEN-22]
	4320000981	DIP KD20C 222J5A [GEN-25]
	4320000320	DIP DM20C 222J5 [CHN]
	4320000981	DIP KD20C 222J5A [EUR-21]

S.=Surface mount

[FILTER-J BOARD]

REF NO.	ORDER NO.	DESCRIPTION	
C4306	4010005360	CER	HM11SJ SL 301J 500V
C4307	4010005880	CER	HM95SJ SL 271J 500V
C4308	4320000330	DIP	DM20C 272J5 [GEN-21]
	4320000330	DIP	DM20C 272J5 [GEN-22]
	4320000951	DIP	KD20C 272J5A [GEN-25]
	4320000330	DIP	DM20C 272J5 [CHN]
	4320000951	DIP	KD20C 272J5A [EUR-21]
C4309	4010005850	CER	HM95SJ SL 181J 500V
C4310	4010005480	CER	HM60SJ CH 100D 500V
C4311	4010005930	CER	HM11SJ SL 391J 500V
C4312	4010005930	CER	HM11SJ SL 391J 500V
C4313	4010005370	CER	HM11SJ SL 331J 500V
C4314	4010005930	CER	HM11SJ SL 391J 500V
C4315	4020000980	CYL	UP050 B 104K-NA-CZ
C4316	4020000980	CYL	UP050 B 104K-NA-CZ
C4317	4010005690	CER	HM60SJ SL 300J 500V
C4318	4010005370	CER	HM11SJ SL 331J 500V
C4319	4010006410	CER	HM13SJ SL 471J 500V
C4320	4010005370	CER	HM11SJ SL 331J 500V
C4321	4010005880	CER	HM95SJ SL 271J 500V
C4322	4010005880	CER	HM95SJ SL 271J 500V
C4323	4010005880	CER	HM95SJ SL 271J 500V
C4324	4010006410	CER	HM13SJ SL 471J 500V
C4325	4010006410	CER	HM13SJ SL 471J 500V
C4326	4010006410	CER	HM13SJ SL 471J 500V
C4327	4010005880	CER	HM95SJ SL 271J 500V
C4328	4010005370	CER	HM11SJ SL 331J 500V
C4329	4010005370	CER	HM11SJ SL 331J 500V
C4330	4010006410	CER	HM13SJ SL 471J 500V
C4331	4010005930	CER	HM11SJ SL 391J 500V
C4332	4010005370	CER	HM11SJ SL 331J 500V
C4333	4010005820	CER	HM74SJ SL 121J 500V
C4334	4010005820	CER	HM74SJ SL 121J 500V
C4335	4010005930	CER	HM11SJ SL 391J 500V
C4336	4010005930	CER	HM11SJ SL 391J 500V
C4337	4010005750	CER	HM60SJ SL 680J 500V
C4338	4020000980	CYL	UP050 B 104K-NA-CZ
C4339	4010006900	CER	HE80SJ YB 472K 50V
C4340	4010005870	CER	HM95SJ SL 221J 500V
C4341	4010005370	CER	HM11SJ SL 331J 500V
C4342	4010005370	CER	HM11SJ SL 331J 500V
C4343	4010005930	CER	HM11SJ SL 391J 500V
C4344	4010005830	CER	HM74SJ SL 151J 500V
C4345	4010005930	CER	HM11SJ SL 391J 500V
C4346	4010006410	CER	HM13SJ SL 471J 500V
C4347	4010005770	CER	HM60SJ SL 820J 500V
C4348	4010006410	CER	HM13SJ SL 471J 500V
C4349	4010006900	CER	HE80SJ YB 472K 50V
C4350	4010006900	CER	HE80SJ YB 472K 50V
C4351	4010005850	CER	HM95SJ SL 181J 500V
C4352	4010005370	CER	HM11SJ SL 331J 500V
C4353	4010005820	CER	HM74SJ SL 121J 500V
C4354	4010005880	CER	HM95SJ SL 271J 500V
C4355	4010005360	CER	HM11SJ SL 301J 500V
C4356	4010005740	CER	HM60SJ SL 560J 500V
C4357	4010005560	CER	HM60SJ SL 050C 500V
C4358	4010005360	CER	HM11SJ SL 301J 500V
C4359	4010006900	CER	HE80SJ YB 472K 50V
C4360	4010006900	CER	HE80SJ YB 472K 50V
C4361	4010005930	CER	HM11SJ SL 391J 500V
C4362	4010005820	CER	HM74SJ SL 121J 500V
C4363	4010005930	CER	HM11SJ SL 391J 500V
C4364	4010005770	CER	HM60SJ SL 820J 500V
C4365	4010005870	CER	HM95SJ SL 221J 500V
C4366	4010006900	CER	HE80SJ YB 472K 50V
C4367	4010006900	CER	HE80SJ YB 472K 50V
C4368	4010005880	CER	HM95SJ SL 271J 500V
C4369	4010008600	CER	HP74SJ SL 101J 1KV
C4370	4010005370	CER	HM11SJ SL 331J 500V
C4371	4010005750	CER	HM60SJ SL 680J 500V
C4372	4010005770	CER	HM60SJ SL 820J 500V
C4373	4010006900	CER	HE80SJ YB 472K 50V
C4374	4010006900	CER	HE80SJ YB 472K 50V
C4377	4010005860	CER	HM95SJ SL 201J 500V
C4378	4010008610	CER	HP60SJ SL 470J 1KV
C4379	4010005870	CER	HM95SJ SL 221J 500V
C4380	4010006900	CER	HE80SJ YB 472K 50V
C4381	4010006900	CER	HE80SJ YB 472K 50V
C4382	4010005830	CER	HM74SJ SL 151J 500V
C4383	4010005660	CER	HM60SJ SL 220J 500V
C4384	4010005360	CER	HM11SJ SL 301J 500V
C4385	4010008610	CER	HP60SJ SL 470J 1KV
C4386	4010005830	CER	HM74SJ SL 151J 500V
C4387	4010006900	CER	HE80SJ YB 472K 50V
C4388	4010006850	CER	HE40SJ YB 471K 50V
C4389	4010006850	CER	HE40SJ YB 471K 50V
C4390	4010006380	CER	HE90SJ SL 471J 50V
C4391	4010006380	CER	HE90SJ SL 471J 50V
C4392	4610002290	TRI	TZ03R300F169B00
C4393	4010006310	CER	HE60SJ SL 181J 50V
C4394	4010006900	CER	HE80SJ YB 472K 50V
C4395	4010006900	CER	HE80SJ YB 472K 50V
C4396	4010006900	CER	HE80SJ YB 472K 50V
C4398	4010007600	CER	HM17SJ YB 103K 500V
C4399	4010007600	CER	HM17SJ YB 103K 500V
C4400	4010006280	CER	HE50SJ SL 101J 50V
C4401	4010006110	CER	HE40SJ SL 180J 50V
C4402	4010006280	CER	HE50SJ SL 101J 50V
C4404	4010006900	CER	HE80SJ YB 472K 50V
C4406	4020000990	CYL	UP050 B 473K-NA-CZ
C4407	4510006160	ELE	25 ME 10 HC
C4408	4010005730	CER	HM60SJ SL 470J 500V
C4409	4010005480	CER	HM60SJ CH 100D 500V
C4410	4010005820	CER	HM74SJ SL 121J 500V

[FILTER-J BOARD]

REF NO.	ORDER NO.	DESCRIPTION	
C4411	4010005480	CER	HM60SJ CH 100D 500V
C4412	4010005770	CER	HM60SJ SL 820J 500V
C4413	4010005740	CER	HM60SJ SL 560J 500V
C4414	4010005480	CER	HM60SJ CH 100D 500V
C4415	4010005780	CER	HM60SJ SL 101J 500V
C4416	4010006900	CER	HE80SJ YB 472K 50V
C4417	4010005780	CER	HM60SJ SL 101J 500V
C4420	4010005770	CER	HM60SJ SL 820J 500V
C4421	4010005660	CER	HM60SJ SL 220J 500V
C4422	4510005481	ELE	50 ME 1 HC
C4423	4510005481	ELE	50 ME 1 HC
C4424	4510005481	ELE	50 ME 1 HC
C4425	4510005481	ELE	50 ME 1 HC
C4426	4510005481	ELE	50 ME 1 HC
C4427	4510005481	ELE	50 ME 1 HC
C4428	4510005481	ELE	50 ME 1 HC
C4429	4010005640	CER	HM60SJ SL 180J 500V
C4430	4010006900	CER	HE80SJ YB 472K 50V
C4431	4010005480	CER	HM60SJ CH 100D 500V
RL4301	6330001571	REL	AJS1315F-K1
RL4302	6330001571	REL	AJS1315F-K1
RL4303	6330001571	REL	AJS1315F-K1
RL4304	6330001571	REL	AJS1315F-K1
RL4305	6330001571	REL	AJS1315F-K1
RL4306	6330001571	REL	AJS1315F-K1
RL4307	6330001571	REL	AJS1315F-K1
RL4308	6330001571	REL	AJS1315F-K1
RL4309	6330001571	REL	AJS1315F-K1
RL4310	6330001571	REL	AJS1315F-K1
RL4311	6330001571	REL	AJS1315F-K1
RL4312	6330001571	REL	AJS1315F-K1
RL4313	6330001571	REL	AJS1315F-K1
RL4314	6330001571	REL	AJS1315F-K1
RL4315	6330001571	REL	AJS1315F-K1
RL4316	6330001571	REL	AJS1315F-K1
RL4317	6330000781	REL	AGP2013F
J4303	6510018571	CON	16FE-BT-VK-N
J4304	6510007020	CON	TMP-J01X-V6
W4302	9019601025	JUM	74/98/025/X98/X98
W4303	9019601025	JUM	74/98/025/X98/X98
W4304	9019601025	JUM	74/98/025/X98/X98
W4305	9019601025	JUM	74/98/025/X98/X98
W4306	9019601025	JUM	74/98/025/X98/X98
W4307	9019601025	JUM	74/98/025/X98/X98
W4308	9019601025	JUM	74/98/025/X98/X98
W4309	9019601025	JUM	74/98/025/X98/X98
W4310	9019601025	JUM	74/98/025/X98/X98
W4312	6910001031	JUM	IPS-1041-4-PT
W4313	6910001031	JUM	IPS-1041-4-PT
W4314	6910001031	JUM	IPS-1041-4-PT
W4315	9008503020	JUM	74/98/030/X98/X98
W4316	9019601025	JUM	74/98/025/X98/X98
W4317	9008503020	JUM	74/98/030/X98/X98
W4319	7030011280	JUM	J1/4ZC
W4320	6910001031	JUM	IPS-1041-4-PT
W4321	6910001031	JUM	IPS-1041-4-PT
W4328	9019601025	JUM	74/98/025/X98/X98
W4329	7120000380	JUM	JPW 01 R-01
W4330	7120000470	JUM	ERDS2T0

S.=Surface mount

[PA150W-J BOARD]

REF NO.	ORDER NO.	DESCRIPTION	
WS1	8970022030	M.O	SX1632 J(1)/PA150W
WS2	8970022040	M.O	SX1632 1.5D (1)/PA150W
WS3	8600034571	CBL	SX1632 P7001TE-1
IC4001	1110002031	IC	TA7808S(Q)
IC4002	1110000960	S.IC	NJM4558M-TE1-#FMZB
IC4003	1170000290	S.IC	PS2701-1-F3
IC4004	1170000290	S.IC	PS2701-1-F3
Q4001	1530000191	TRA	2SC3133-01
Q4002	1530000191	TRA	2SC3133-01
Q4003	1530000200	TRA	2SC2904
Q4004	1530000200	TRA	2SC2904
Q4005	1510001040	S.TRA	2SA1037AKT146S
Q4006	1540000501	TRA	2SD1585-AZ K
Q4007	1530001971	S.TRA	2SC1623-T2B-A-L6
Q4008	1530004090	TRA	2SC2078 D/E
D4001	1790000710	VAR	MA29B
D4002	1790000710	VAR	MA29B
D4003	1790000710	VAR	MA29B
D4004	1710000831	S.DIO	DF30SC4M-7072
L4001	6140002350	COI	LR-274 (RIB4X7X5 3A6)
L4003	6140003610	COI	LR-402 (SK-08MD-10X2Y)
L4004	6140002980	COI	LR-143 <KN>
L4005	2040000490	COI	EXC-ELDR25C
L4006	6140002220	COI	LR-270 (TR6X3X2 3A9)
L4007	2040000490	COI	EXC-ELDR25C
L4009	6140000610	COI	LR-83
L4010	6140002990	COI	LR-148 <KN>
L4011	2040000490	COI	EXC-ELDR25C
L4012	6170000140	COI	LW-15
L4013	6140003610	COI	LR-402 (SK-08MD-10X2Y)
L4014	6200003261	S.COI	NLV32T-101J
L4016	6180001220	COI	LAL 04NA 100K
L4018	2040000490	COI	EXC-ELDR25C
L4020	6200003261	S.COI	NLV32T-101J
L4021	6200003261	S.COI	NLV32T-101J
L4022	6200003261	S.COI	NLV32T-101J
L4023	6180001220	COI	LAL 04NA 100K
L4024	6200010860	S.COI	C2520C-R10G-A (0.1U)
L4027	6200010780	S.COI	C2520C-1R0G-A
R4004	7010000211	RES	PSN1/4V 47
R4005	7010000211	RES	PSN1/4V 47
R4006	7030010970	S.RES	ERJ1TYJ 151U
R4007	7030010970	S.RES	ERJ1TYJ 151U
R4008	7070000321	RES	ERX1SJ 3R3 (3.3)
R4009	7070000321	RES	ERX1SJ 3R3 (3.3)
R4010	7070000321	RES	ERX1SJ 3R3 (3.3)
R4011	7070000321	RES	ERX1SJ 3R3 (3.3)
R4012	7070000321	RES	ERX1SJ 3R3 (3.3)
R4013	7070000321	RES	ERX1SJ 3R3 (3.3)
R4014	7010004651	RES	PSD1/2 10
R4015	7010004651	RES	PSD1/2 10
R4016	7070000281	RES	ERX1SJ 2R2 (2.2)
R4017	7070000281	RES	ERX1SJ 2R2 (2.2)
R4018	7030000460	S.RES	MCR10EZJH 4.7K (472)
R4019	7030000460	S.RES	MCR10EZJH 4.7K (472)
R4020	7010004741	RES	PSD1/2 150
R4022	7310005490	TRI	VG067TL1B101 (100)
R4023	7070000311	RES	ERG1SJ 100 (10)
R4024	7030000290	S.RES	MCR10EZJH 180 (181)
R4025	7310004940	TRI	KVSF637AC 471 470
R4026	7100000890	RES	RWL5 0R012J
R4027	7030000600	S.RES	MCR10EZJH 68 K (683)
R4028	7030000600	S.RES	MCR10EZJH 68 K (683)
R4029	7030000560	S.RES	MCR10EZJH 33 K (333)
R4030	7030000560	S.RES	MCR10EZJH 33 K (333)
R4031	7310004970	TRI	KVSF637AC 472 4.7K
R4032	7030000740	S.RES	MCR10EZJH 1 M (105)
R4033	7030000500	S.RES	MCR10EZJH 10 K (103)
R4034	7010000301	RES	PSN1/4V 270
R4035	7070000251	RES	ERX2SJ 4R7 (4.7)
R4036	7010000331	RES	PSN1/4V 470
R4039	7010000091	RES	PSN1/4V 4.7
R4040	7030010820	S.RES	ERJ1TYJ 221U (220)
R4044	7010000331	RES	PSN1/4V 470
R4045	7030000370	S.RES	MCR10EZJH 820 (821)
R4046	7030000340	S.RES	MCR10EZJH 470 (471)
R4048	7010000061	RES	PSN1/4V 2.7
R4050	7010000311	RES	PSN1/4V 330
R4051	7030000340	S.RES	MCR10EZJH 470 (471)
R4052	7030000150	S.RES	MCR10EZJH 12 (120)
R4053	7030000340	S.RES	MCR10EZJH 470 (471)
R4061	7030000010	S.RES	MCR10EZJH JPW (000)
R4062	7030000010	S.RES	MCR10EZJH JPW (000)
R4063	7030000010	S.RES	MCR10EZJH JPW (000)
R4064	7030000010	S.RES	MCR10EZJH JPW (000)
R4065	7030000010	S.RES	MCR10EZJH JPW (000)
R4066	7030000010	S.RES	MCR10EZJH JPW (000)
R4067	7030000010	S.RES	MCR10EZJH JPW (000)
R4068	7030000010	S.RES	MCR10EZJH JPW (000)
C4003	4010005360	CER	HM11SJ SL 301J 500V
C4004	4010005360	CER	HM11SJ SL 301J 500V
C4006	4310000360	MYL	50 F2D 103J

[PA150W-J BOARD]

REF NO.	ORDER NO.	DESCRIPTION	
C4007	4310000360	MYL	50 F2D 103J
C4008	4030005050	S.CER	C2012 CH 1H 331J-T
C4010	4030011760	S.CER	GRM55R1X2D682JV01L(GRM44-1)
C4011	4030011760	S.CER	GRM55R1X2D682JV01L(GRM44-1)
C4013	4030018370	S.CER	ERF22X 6C1H 102J D01L
C4014	4030018370	S.CER	ERF22X 6C1H 102J D01L
C4015	4030011760	S.CER	GRM55R1X2D682JV01L(GRM44-1)
C4016	4030011760	S.CER	GRM55R1X2D682JV01L(GRM44-1)
C4018	4030004740	S.CER	C2012 JB 1H 472K-T
C4019	4030004740	S.CER	C2012 JB 1H 472K-T
C4020	4510005120	ELE	16 ME 47 HC
C4021	4510004990	ELE	16 ME 100 HC
C4022	4030005110	S.CER	C2012 JB 1E 473K-T
C4023	4510004510	ELE	25 ME 470 HC
C4024	4030005110	S.CER	C2012 JB 1E 473K-T
C4026	4510006160	ELE	25 ME 10 HC
C4027	4030004740	S.CER	C2012 JB 1H 472K-T
C4028	4510004601	ELE	16 ME 1000 HC
C4029	4030005110	S.CER	C2012 JB 1E 473K-T
C4030	4030005110	S.CER	C2012 JB 1E 473K-T
C4031	4030005110	S.CER	C2012 JB 1E 473K-T
C4032	4030004990	S.CER	C2012 CH 1H 101J-T
C4033	4030011790	S.CER	GRM55RF52A684ZD01L(GRM44-1)
C4034	4030004740	S.CER	C2012 JB 1H 472K-T
C4035	4510005040	ELE	25 ME 1000 HC
C4036	4030004740	S.CER	C2012 JB 1H 472K-T
C4038	4030004740	S.CER	C2012 JB 1H 472K-T
C4045	4320000340	DIP	DM20C 472J5
	4320000340	DIP	DM20C 472J5
	4320000961	DIP	KD20C 472J5A
	4320000340	DIP	DM20C 472J5
	4320000961	DIP	KD20C 472J5A
C4046	4030004740	S.CER	C2012 JB 1H 472K-T
C4047	4030004740	S.CER	C2012 JB 1H 472K-T
C4048	4030004740	S.CER	C2012 JB 1H 472K-T
C4050	4510005040	ELE	25 ME 1000 HC
C4051	4510004591	ELE	16 ME 470 HC
C4052	4510006160	ELE	25 ME 10 HC
C4053	4030004740	S.CER	C2012 JB 1H 472K-T
C4054	4030004740	S.CER	C2012 JB 1H 472K-T
C4055	4030018370	S.CER	ERF22X 6C1H 102J D01L
C4056	4030004740	S.CER	C2012 JB 1H 472K-T
C4057	4320000220	DIP	DM19C 681J5
	4320000220	DIP	DM19C 681J5
	4320000811	DIP	KD20C 681J5A
	4320000220	DIP	DM19C 681J5
	4320000811	DIP	KD20C 681J5A
C4059	4030004740	S.CER	C2012 JB 1H 472K-T
C4063	4510004591	ELE	16 ME 470 HC
C4065	4020000990	CYL	UP050 B 473K-NA-CZ
C4066	4020000990	CYL	UP050 B 473K-NA-CZ
C4067	4010008570	CER	RPER11H473K2K1A01
C4068	4030004740	S.CER	C2012 JB 1H 472K-T
C4069	4030005110	S.CER	C2012 JB 1E 473K-T
C4070	4030018640	S.CER	C2012 CH 1H 103J-T
C4071	4030005010	S.CER	C2012 CH 1H 151J-T
C4072	4030008960	S.CER	C2012 JB 1C 104K-T
C4077	4030004720	S.CER	C2012 JB 1H 102K-T
C4078	4030008960	S.CER	C2012 JB 1C 104K-T
C4079	4030005110	S.CER	C2012 JB 1E 473K-T
C4080	4010008840	CER	DSTB90SJYR104K
C4081	4010008840	CER	DSTB90SJYR104K
C4085	4030005030	S.CER	C2012 CH 1H 221J-T
C4087	4030005030	S.CER	C2012 CH 1H 221J-T
C4088	4030004720	S.CER	C2012 JB 1H 102K-T
C4096	4030018370	S.CER	ERF22X 6C1H 102J D01L
	4030018370	S.CER	ERF22X 6C1H 102J D01L
	4030018370	S.CER	ERF22X 6C1H 102J D01L
	4030018370	S.CER	ERF22X 6C1H 102J D01L
	4030004720	S.CER	C2012 JB 1H 102K-T
J4002	6510007020	CON	TMP-J01X-V6
J4003	6510018381	CON	10FE-BT-VK-N
J4004	6510003081	CON	RT01T-1.0B(LF)
J4005	6510003081	CON	RT01T-1.0B(LF)
S4001	6910006900	THE	OHD-3 110M
S4002	6910000050	THE	OHD-3 50M
W4001	7030011280	JUM	J1/4ZC
W4002	7030011280	JUM	J1/4ZC
W4003	7120000470	JUM	ERDS2T0
W4004	7120000470	JUM	ERDS2T0
W4008	9045201001	WIR	74/98/040/X98/X98
W4009	9045201001	WIR	74/98/040/X98/X98
W4010	9040401001	JUM	74/98/050/X98/X98
W4011	9056000180	WIR	74/98/080/X98/X98
W4047	7030011280	JUM	J1/4ZC
EP4003	6910000610	BEA	FSRH050100RN000B (FSOH050RN01)
EP4004	6910000610	BEA	FSRH050100RN000B (FSOH050RN01)
EP4006	6910000630	BEA	FSRH070140RN000B (FSOH070RN)
EP4008	6510018330	TER	F4053A
EP4009	6510018330	TER	F4053A
EP4010	9001602001	TUB	0.7 L=10MM
EP4011	9001602001	TUB	0.7 L=10MM
EP4012	9034701901	TUB	0.7 L=20MM
EP4014	9029305901	TUB	1 L=15MM

S.=Surface mount

[TERMINAL-J BOARD]

REF NO.	ORDER NO.	DESCRIPTION	
C7001	4510005980	ELE	16 ME 4700 HC
C7002	4010006900	CER	HE80SJ YB 472K 50V
C7003	4010006890	CER	HE60SJ YB 222K 50V
C7004	4010006890	CER	HE60SJ YB 222K 50V
C7005	4010006900	CER	HE80SJ YB 472K 50V
C7006	4010006900	CER	HE80SJ YB 472K 50V
J7001	6510010021	CON	RTB-1.5-2F(LF)
EP7003	6510018330	TER	F4053A
EP7004	6510018330	TER	F4053A
EP7010	9017680190	TUB	10 L=25MM

[REG-J BOARD]

REF NO.	ORDER NO.	DESCRIPTION	
WS1	8600034580	M.O	SX1632 P8001RE
WS2	8600034590	M.O	SX1632 P8002RE
IC8001	1110003071	S.IC	UPC494GS-E1-A
IC8002	1110001821	S.IC	UPC1093T-E1-AZ
IC8003	1170000290	S.IC	PS2701-1-F3
Q8001	1560001181	S.FET	2SK2266(TE24R,Q)
Q8003	1510000801	S.TRA	2SA1213-Y(TE12R,CF)
D8002	1790001362	DIO	SF10SC6-7600
D8003	1790001780	DIO	MA700
L8001	5920000450	COI	FK-080E-1020
L8002	6190001450	COI	TC-6
L8003	5920000450	COI	FK-080E-1020
R8001	7030000430	S.RES	MCR10EZHZ 2.7K (272)
R8002	7030000460	S.RES	MCR10EZHZ 4.7K (472)
R8003	7030000490	S.RES	MCR10EZHZ 8.2K (822)
R8004	7030000390	S.RES	MCR10EZHZ 1.2K (122)
R8005	7030000460	S.RES	MCR10EZHZ 4.7K (472)
R8006	7030000460	S.RES	MCR10EZHZ 4.7K (472)
R8007	7030000480	S.RES	MCR10EZHZ 6.8K (682)
R8008	7030000440	S.RES	MCR10EZHZ 3.3K (332)
R8009	7030001090	S.RES	MCR50JZHJ 47 (470)
R8010	7030001210	S.RES	MCR50JZHJ 470 (471)
R8011	7030000460	S.RES	MCR10EZHZ 4.7K (472)
R8012	7030000260	S.RES	MCR10EZHZ 100 (101)
R8013	73100005010	TRI	KVSF637AC 102 1K
R8014	7030000450	S.RES	MCR10EZHZ 3.9K (392)
R8015	7030000380	S.RES	MCR10EZHZ 1 K (102)
R8016	7030000200	S.RES	MCR10EZHZ 33 (330)
R8019	7030000340	S.RES	MCR10EZHZ 470 (471)
R8020	7030000380	S.RES	MCR10EZHZ 1 K (102)
C8001	4510004591	ELE	16 ME 470 HC
C8002	4030005110	S.CER	C2012 JB 1E 473K-T
C8003	4560000170	CER	D67X5T 1E 684M51 (MARUWA)
C8004	4510007250	ELE	25 ME 1000 AX
C8005	4510007250	ELE	25 ME 1000 AX
C8006	4510006160	ELE	25 ME 10 HC
C8007	4310000360	MYL	50 F2D 103J
C8008	4030004740	S.CER	C2012 JB 1H 472K-T
C8009	4510007250	ELE	25 ME 1000 AX
C8010	4510007250	ELE	25 ME 1000 AX
C8011	4560000170	CER	D67X5T 1E 684M51 (MARUWA)
C8012	4030004730	S.CER	C2012 JB 1H 222K-T
C8013	4510006021	ELE	16 ME 2200 HC
C8014	4560000170	CER	D67X5T 1E 684M51 (MARUWA)
C8015	4560000170	CER	D67X5T 1E 684M51 (MARUWA)
T8001	5920000440	TRA	TO-25

[ALARM BOARD] ([GEN-22], [GEN-25], [KOR], [EUR-21] only)

REF NO.	ORDER NO.	DESCRIPTION	
IC5101	1130014230	S.IC	CD4069UBM96
IC5121	1130014220	S.IC	CD74HC40103M96
IC5131	113000547 0	S.IC	TC74HC393AF(F)
IC5151	1110006380	S.IC	LM2904PWR
Q5101	1590000680	S.TRA	DTC114EUA T106
X5101	6060000150	S.CER	CSAC3.58MGCD512-TC(300CD)
R5101	7030003440	S.RES	ERJ3GEYJ 102 V (1K)
R5102	7030003800	S.RES	ERJ3GEYJ 105 V (1M)
R5103	7030003620	S.RES	ERJ3GEYJ 333 V (33K)
R5104	7030003640	S.RES	ERJ3GEYJ 473 V (47K)
R5105	7030003440	S.RES	ERJ3GEYJ 102 V (1K)
R5106	7030003640	S.RES	ERJ3GEYJ 473 V (47K)
R5107	7030003440	S.RES	ERJ3GEYJ 102 V (1K)
R5131	7030003560	S.RES	ERJ3GEYJ 103 V (10K)
R5132	7030003480	S.RES	ERJ3GEYJ 222 V (2.2K)
R5151	7030003690	S.RES	ERJ3GEYJ 124 V (120K)
R5152	7030003720	S.RES	ERJ3GEYJ 224 V (220K)
R5153	7030003690	S.RES	ERJ3GEYJ 124 V (120K)
R5154	7030003520	S.RES	ERJ3GEYJ 472 V (4.7K)
R5155	7030003680	S.RES	ERJ3GEYJ 104 V (100K)
R5156	7030003700	S.RES	ERJ3GEYJ 154 V (150K)
R5157	7030003680	S.RES	ERJ3GEYJ 104 V (100K)
R5158	7030003520	S.RES	ERJ3GEYJ 472 V (4.7K)
R5159	7030003360	S.RES	ERJ3GEYJ 221 V (220)
R5160	7030003600	S.RES	ERJ3GEYJ 223 V (22K)
R5161	7030003600	S.RES	ERJ3GEYJ 223 V (22K)
C5101	4030011600	S.CER	C1608 JB 1E 104K-T
C5102	4030008560	S.CER	C1608 CH 1H 300J-T
C5103	4030008560	S.CER	C1608 CH 1H 300J-T
C5104	4030006860	S.CER	C1608 JB 1H 102K-T
C5105	4030006860	S.CER	C1608 JB 1H 102K-T
C5106	4030006860	S.CER	C1608 JB 1H 102K-T
C5107	4550006250	S.TAN	TEESVA 1A 106M8R
C5121	4030011600	S.CER	C1608 JB 1E 104K-T
C5131	4030011600	S.CER	C1608 JB 1E 104K-T
C5151	4030011600	S.CER	C1608 JB 1E 104K-T
C5152	4030006870	S.CER	C1608 JB 1H 222K-T
C5153	4030010760	S.CER	C1608 CH 1H 331J-T
C5154	4030011600	S.CER	C1608 JB 1E 104K-T
C5155	4030009880	S.CER	C1608 JB 1H 682K-T
C5156	4030007090	S.CER	C1608 CH 1H 470J-T
C5157	4030011600	S.CER	C1608 JB 1E 104K-T
C5158	4550006250	S.TAN	TEESVA 1A 106M8R
C5159	4030011600	S.CER	C1608 JB 1E 104K-T
J5001	6510018160	S.CON	4-175643-0
J5002	6510018170	S.CON	4-175643-4

[MIC-J BOARD]

REF NO.	ORDER NO.	DESCRIPTION	
J2301	6510009211	CON	14RS-8H-MI-AU(F)-1
J2302	6510018381	CON	10FE-BT-VK-N

[VR1-J BOARD]

REF NO.	ORDER NO.	DESCRIPTION	
R2401	7210002540	VAR	TP96N937-15F-10KB-1540
J2401	6510018391	CON	06FE-BT-VK-N

[VR2-J BOARDS]

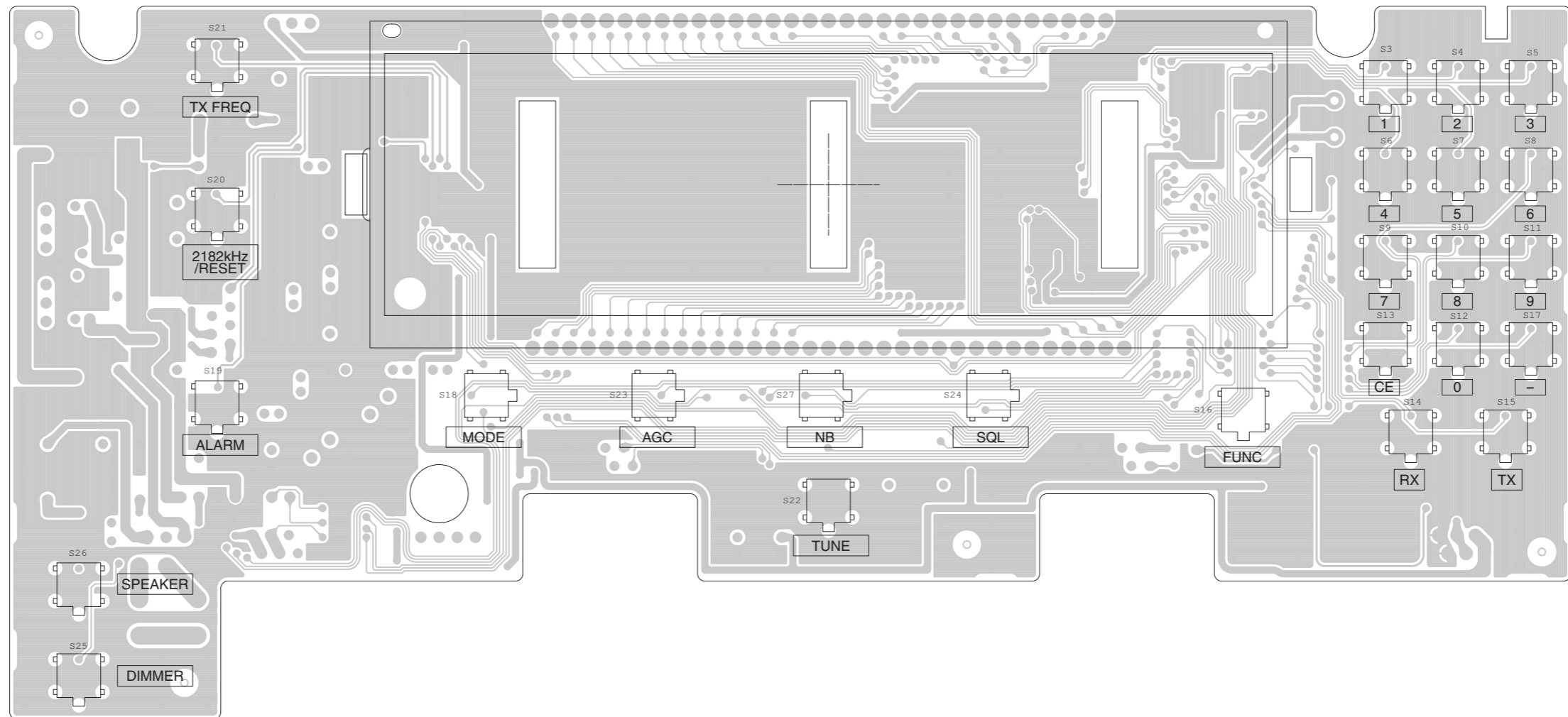
REF NO.	ORDER NO.	DESCRIPTION	
R2501	7210002730	VAR	TP96N944-15F-10KB-1632
J2501	6510018391	CON	06FE-BT-VK-N

S.=Surface mount

BOARD LAYOUTS

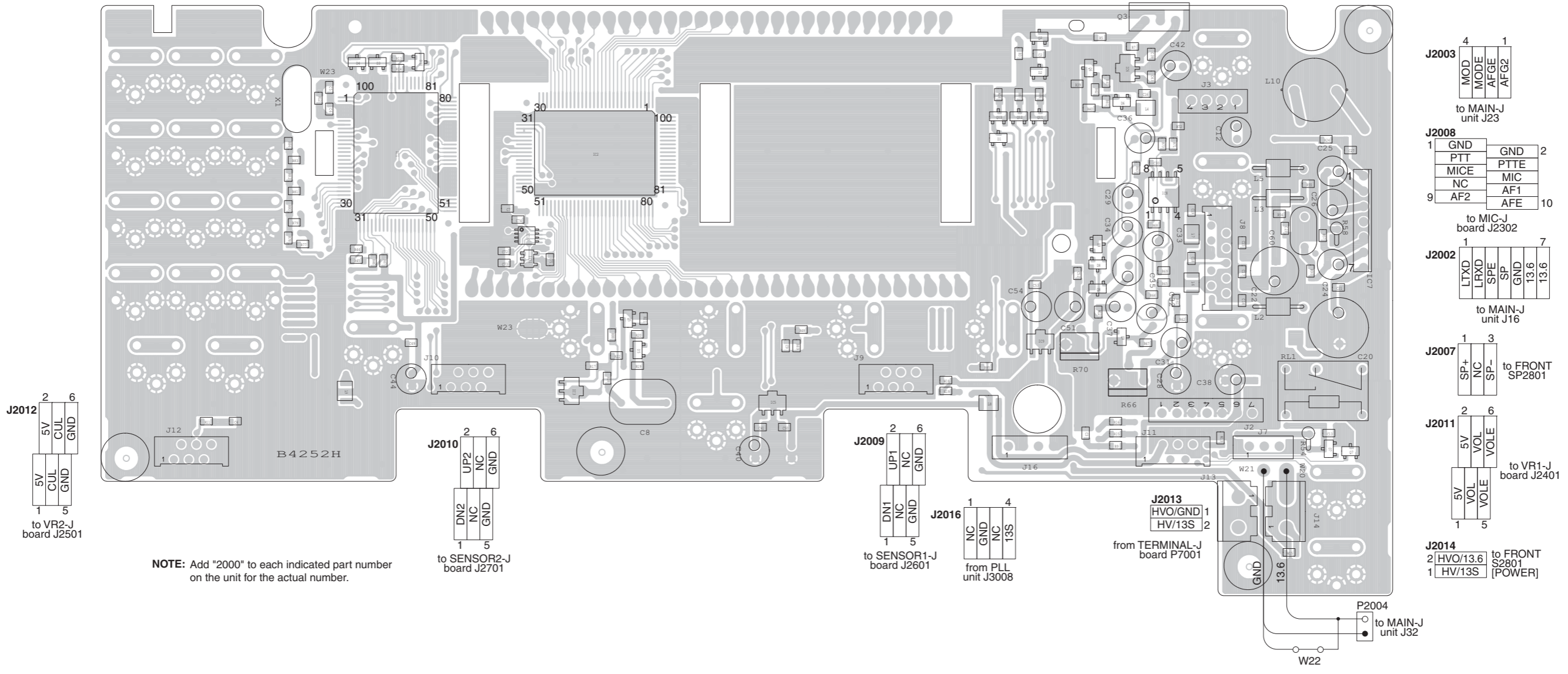
The combination of this side and the bottom side shows the board layout in the same configuration as the actual P.C.Board.

• LOGIC-J BOARD (TOP VIEW)



The combination of this side and the bottom side shows the board layout in the same configuration as the actual P.C.Board.

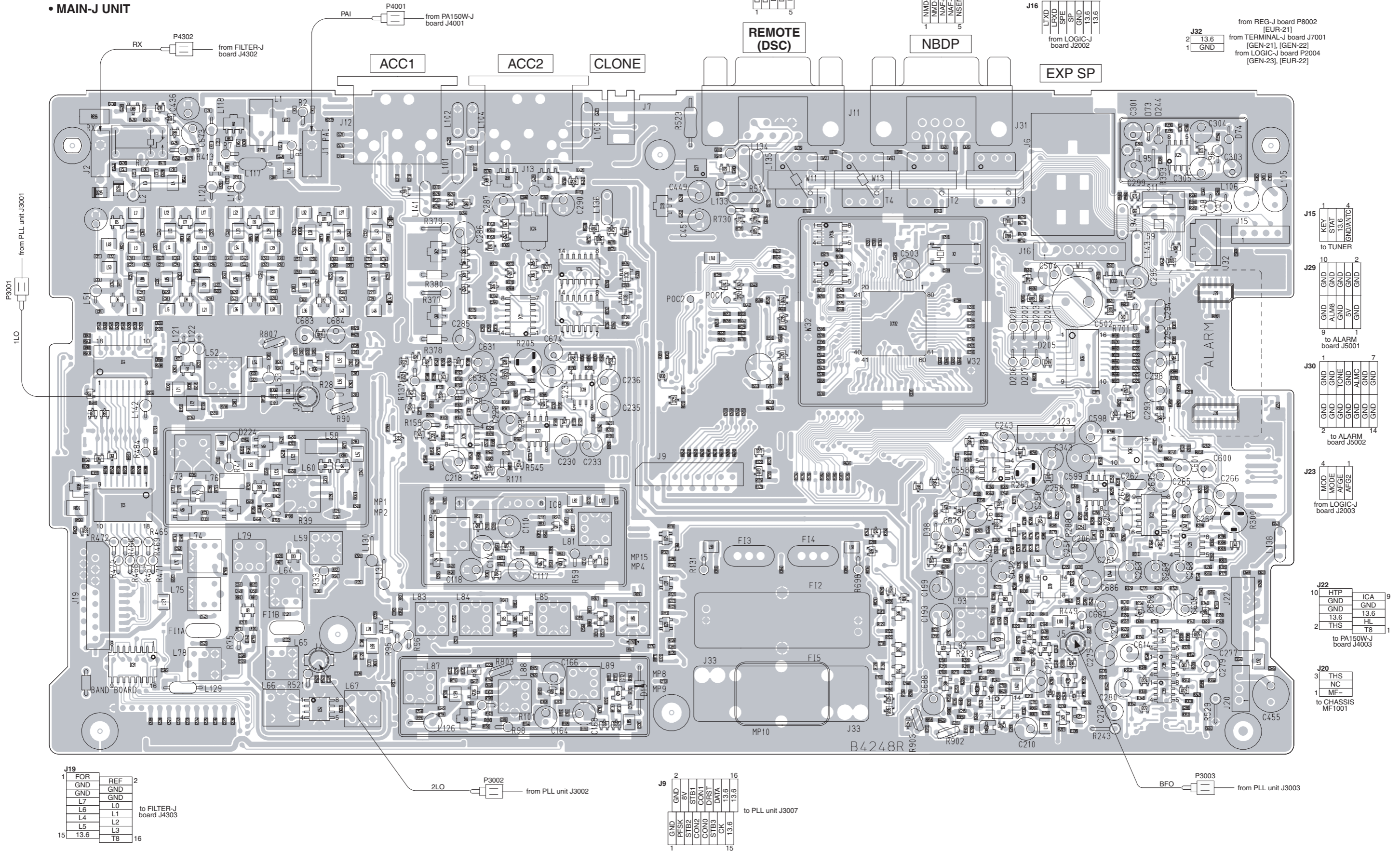
• LOGIC-J BOARD
(BOTTOM VIEW)



NOTE: Add "2000" to each indicated part number on the unit for the actual number.

The combination of this side and the bottom side shows the board layout in the same configuration as the actual P.C.Board.

• MAIN-J UNIT



J19

1	FOR	REF	2
2	GND	GND	
3	GND	GND	
4	L7	GND	
5	L6	L0	
6	L4	L1	
7	L5	L2	
8	L3	L3	
9	T8	L4	
10		L5	
11		L6	
12		L7	
13		L8	
14		L9	
15	13.6	L10	
16		L11	

to FILTER-J board J4303

J9

1	GND	2	16
2	PFSK	8V	
3	STB2	STB1	
4	CON2	CON1	
5	CON3	DIRST	
6	STB3	DATA	
7	CK	13.6	
8		13.6	
9			
10			
11			
12			
13			
14			
15			

to PLL unit J3007

J15

1	KEY	4
2	STAT	
3	GND	13.6
4	GND	13.6
5	GND	
6	GND	
7	GND	
8	GND	
9	GND	
10	GND	
11	GND	
12	GND	
13	GND	
14	GND	
15	GND	
16	GND	

to TUNER

J29

1	GND	2
2	GND	
3	GND	
4	GND	
5	GND	
6	GND	
7	GND	
8	GND	
9	GND	
10	GND	
11	GND	
12	GND	
13	GND	
14	GND	
15	GND	
16	GND	

to ALARM board J5001

J30

1	GND	7
2	GND	
3	GND	
4	GND	
5	GND	
6	GND	
7	GND	
8	GND	
9	GND	
10	GND	
11	GND	
12	GND	
13	GND	
14	GND	
15	GND	
16	GND	

to ALARM board J5002

J23

1	MOD	1
2	MODE	
3	AFGE	
4	AFG2	
5	GND	
6	GND	
7	GND	
8	GND	
9	GND	
10	GND	
11	GND	
12	GND	
13	GND	
14	GND	
15	GND	
16	GND	

from LOGIC-J board J2003

J22

1	HTP	9
2	GND	
3	GND	
4	GND	
5	GND	
6	GND	
7	GND	
8	GND	
9	GND	
10	GND	
11	GND	
12	GND	
13	GND	
14	GND	
15	GND	
16	GND	

to PA150W-J board J4003

J20

1	THS	
2	NC	
3	MF-	
4	GND	
5	GND	
6	GND	
7	GND	
8	GND	
9	GND	
10	GND	
11	GND	
12	GND	
13	GND	
14	GND	
15	GND	
16	GND	

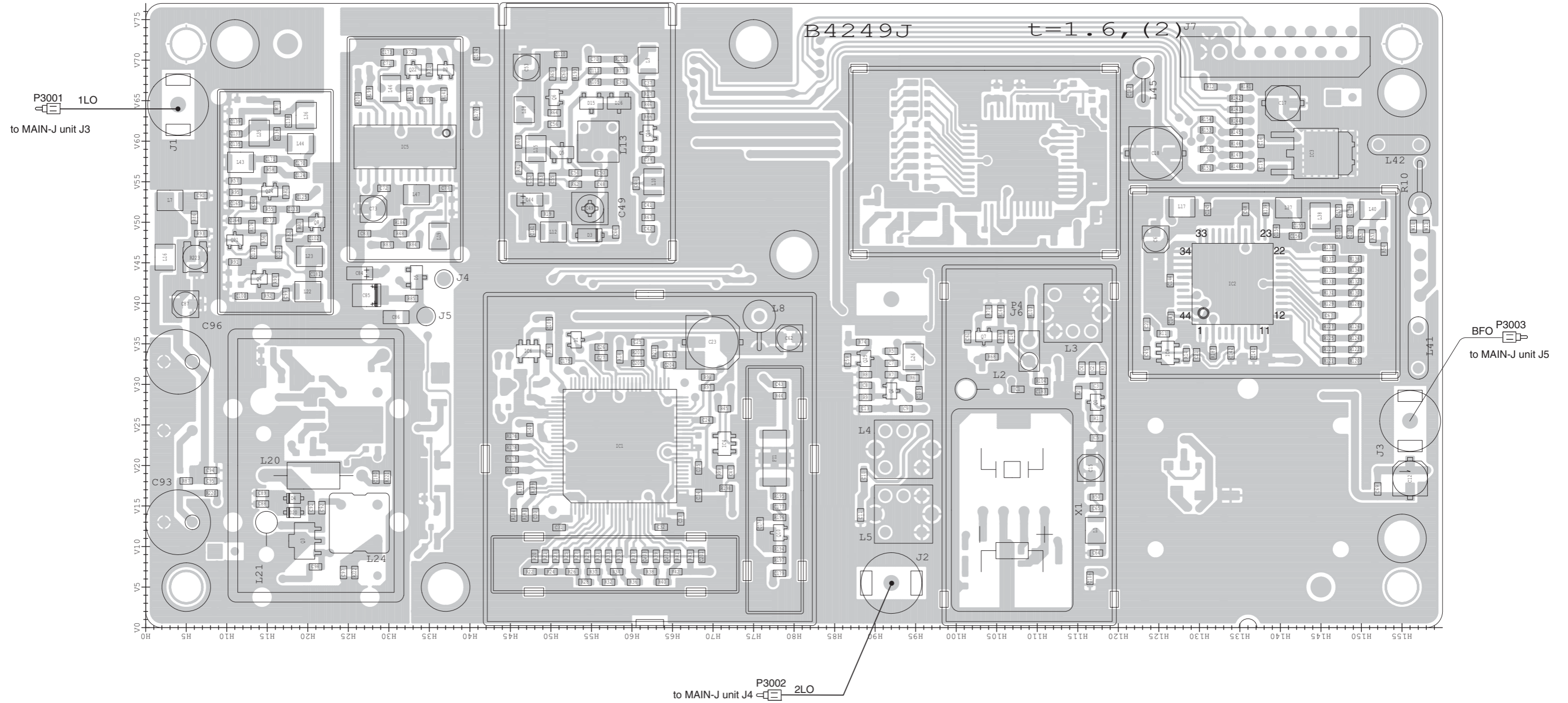
to CHASSIS MF1001

The combination of this side and the bottom side shows the board layout in the same configuration as the actual P.C.Board.

• PLL UNIT

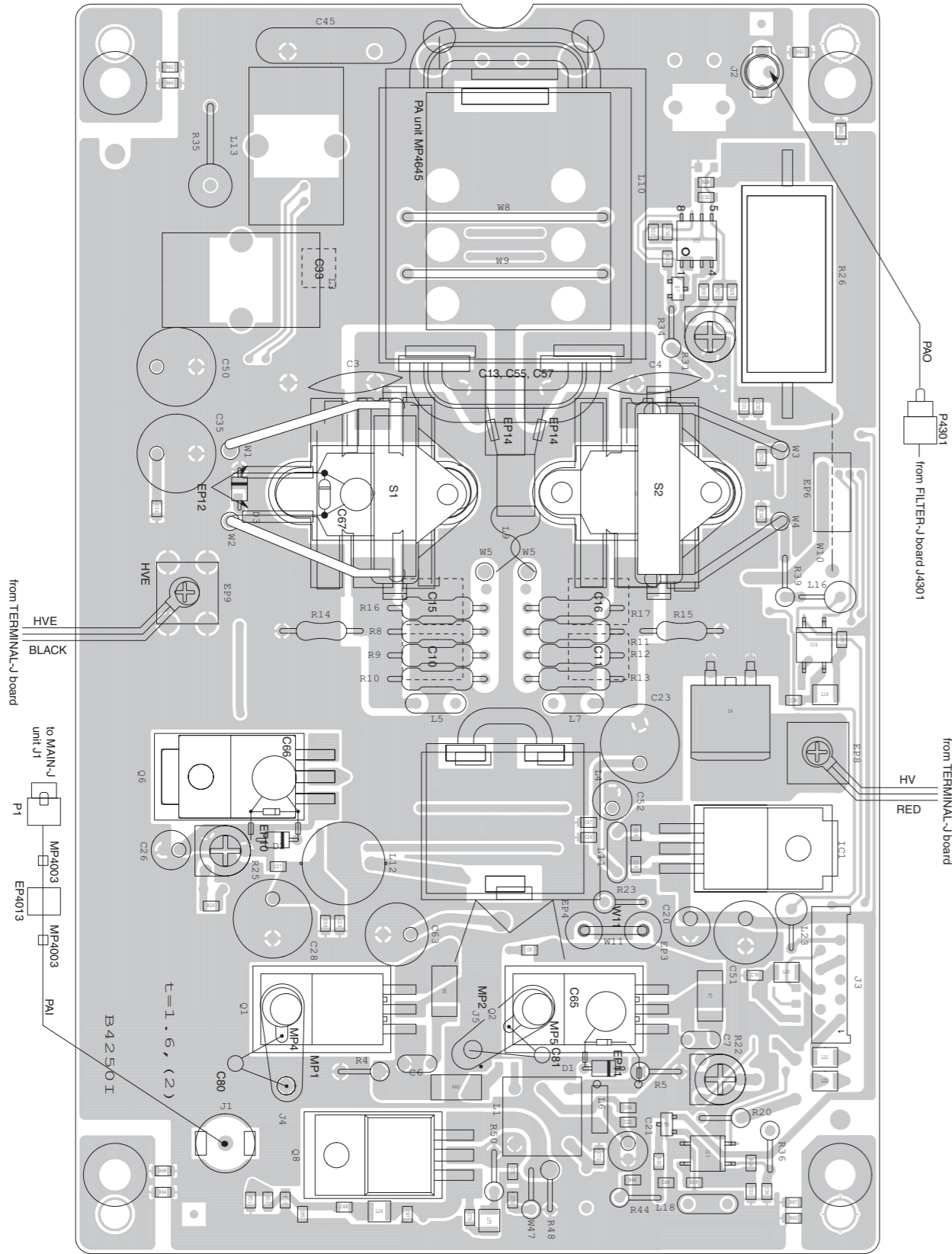
J3007		
16	GND	GND
	PFSK	8V
	STB2	STB1
	CON2	CON1
	CON0	DRST
	STB3	DATA
	CK	13.6
2	13.6	13.6
		1

to MAIN-J unit J9



The combination of this side and the bottom side shows the board layout in the same configuration as the actual P.C.Board.

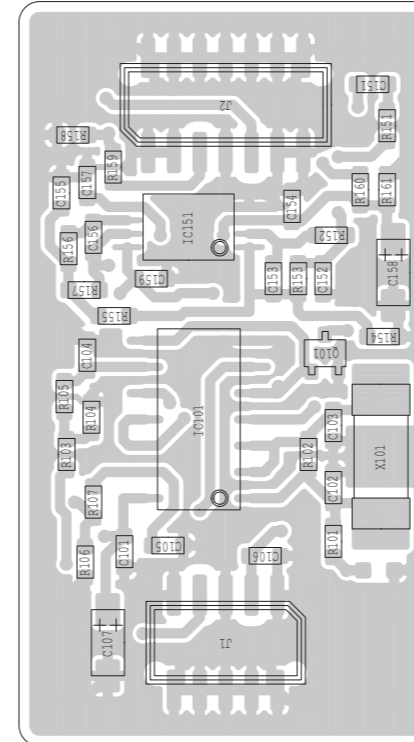
• PA150W-J BOARD
(TOP VIEW)



NOTE: Add "4000" to each indicated part number on the unit for the actual number. C4010, C4011, C4015, C4016, C4033 located bottom side of the point.

J4003	9	THS
10	HL	13.6
	13.6	GND
	GND	GND
2	ICA	HTP

• ALARM BOARD ([GEN-22], [GEN-25], [KOR], [EUR-21] only)
(TOP VIEW)



10	J5001	GND	GND
	GND	ALM8	GND
	GND	GND	5V
2	GND	GND	

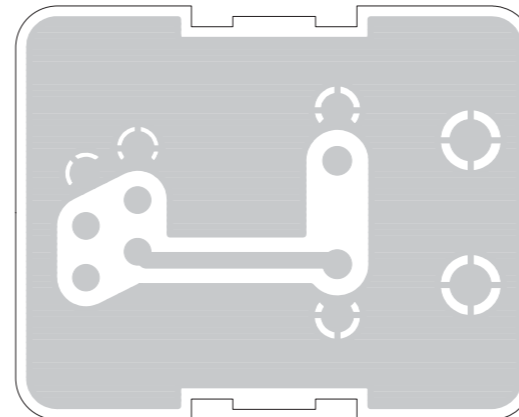
to MAIN-J unit J29

13	J5002	GND	GND
	GND	GND	GND
	GND	ALM8	GND
14	GND	GND	GND

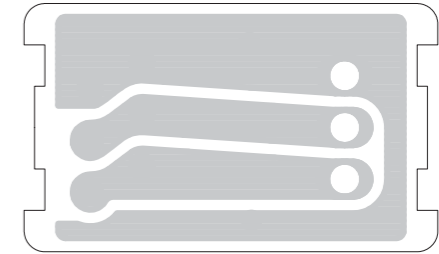
to MAIN-J unit J30

NOTE: Add "5000" to each indicated part number on the unit for the actual number. IC5001 located on the bottom of the point.

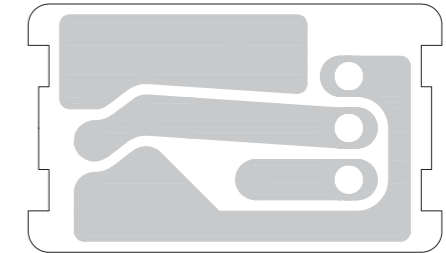
• SENSOR1-J BOARD
SENSOR2-J BOARD
(TOP VIEW)



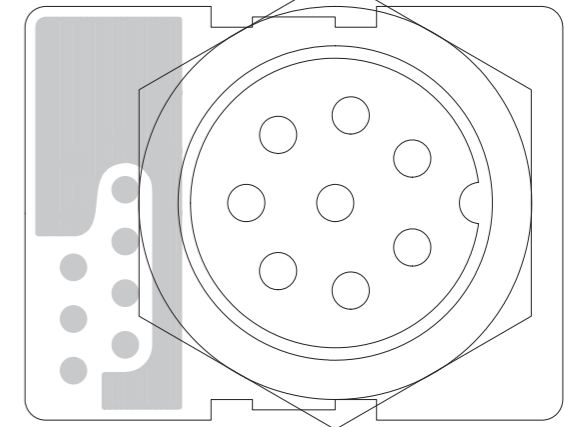
• VR1-J BOARD
(TOP VIEW)



• VR2-J BOARD
(TOP VIEW)

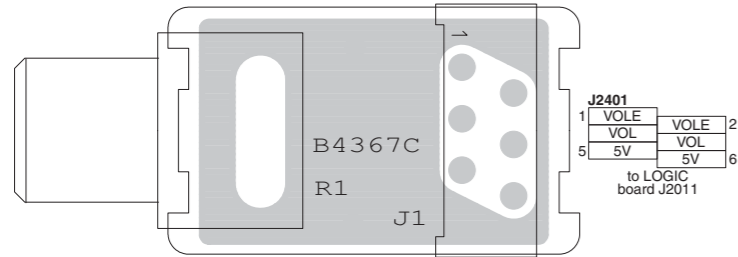


• MIC-J BOARD
(TOP VIEW)



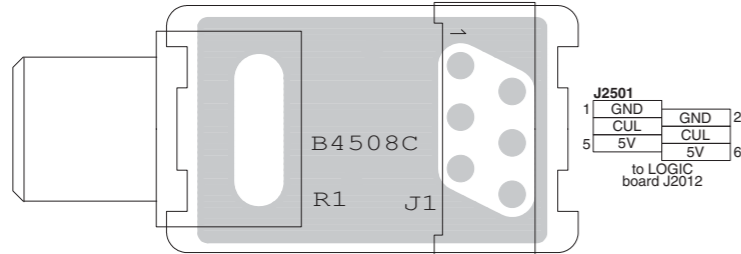
The combination of this side and the bottom side shows the board layout in the same configuration as the actual P.C.Board.

• VR1-J BOARD
(BOTTOM VIEW)



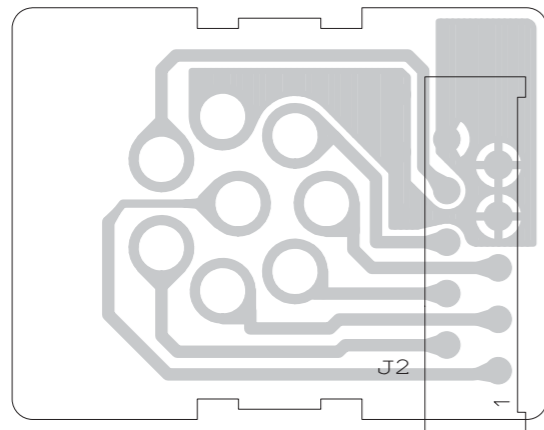
NOTE: Add "2400" to each indicated part number on the unit for the actual number.

• VR2-J BOARD
(BOTTOM VIEW)

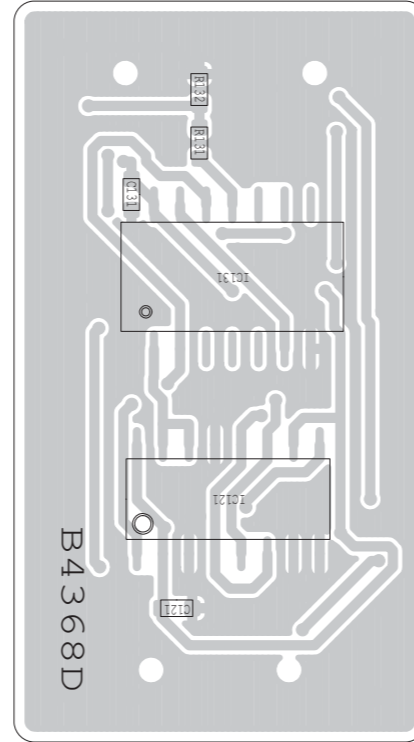


NOTE: Add "2500" to each indicated part number on the unit for the actual number.

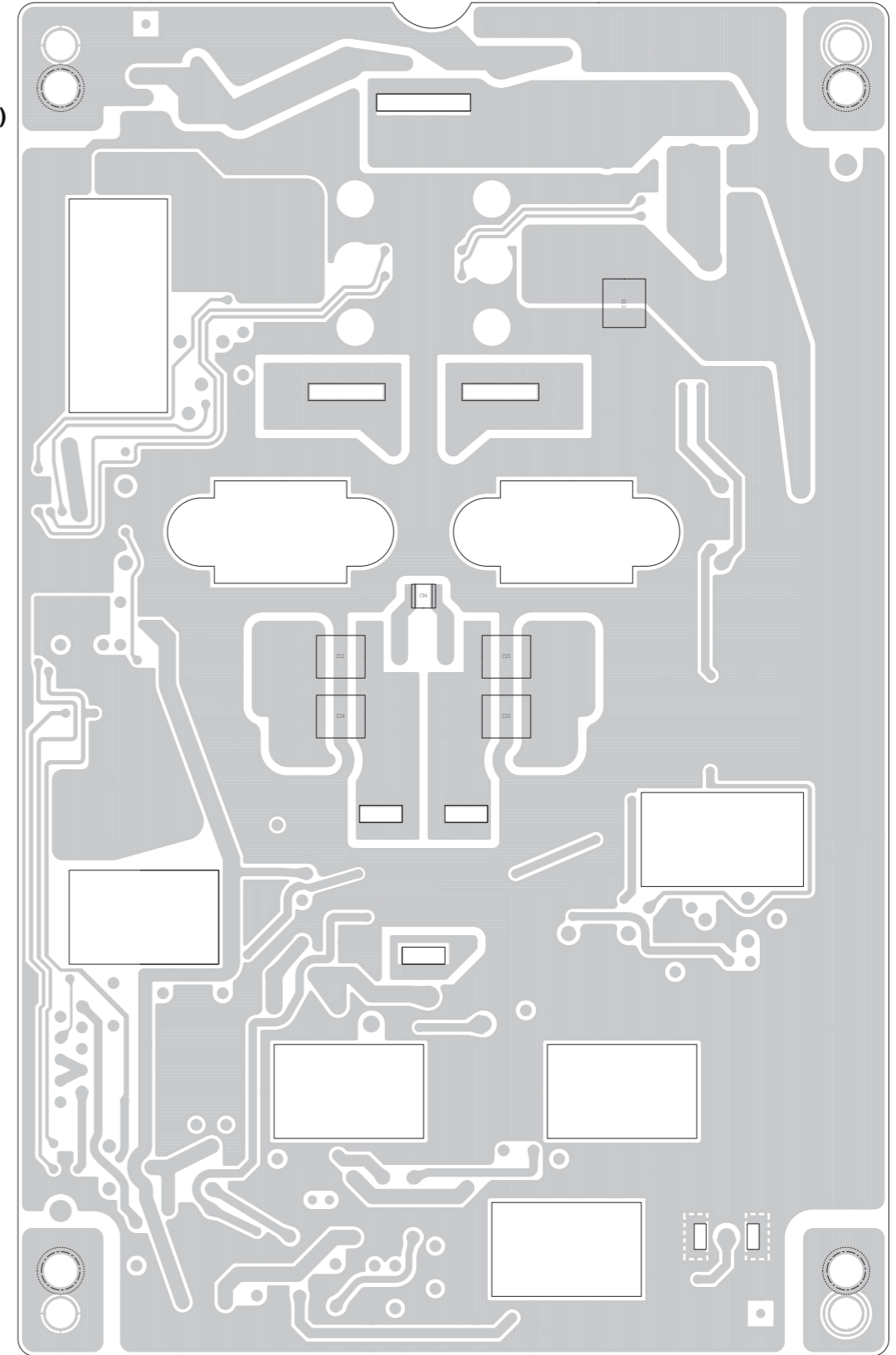
• MIC-J BOARD
(BOTTOM VIEW)



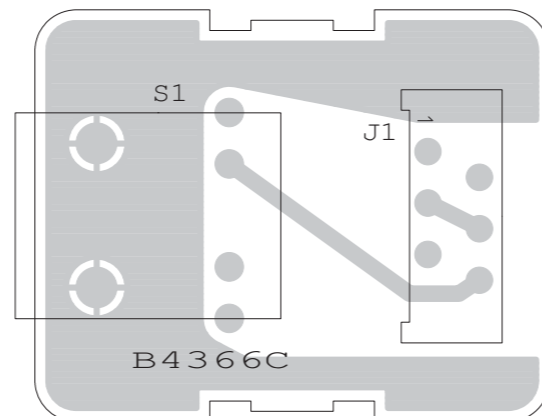
• ALARM BOARD ([GEN-22], [GEN-25], [KOR], [EUR-21] only)
(BOTTOM VIEW)



• PA150W-J BOARD
(BOTTOM VIEW)



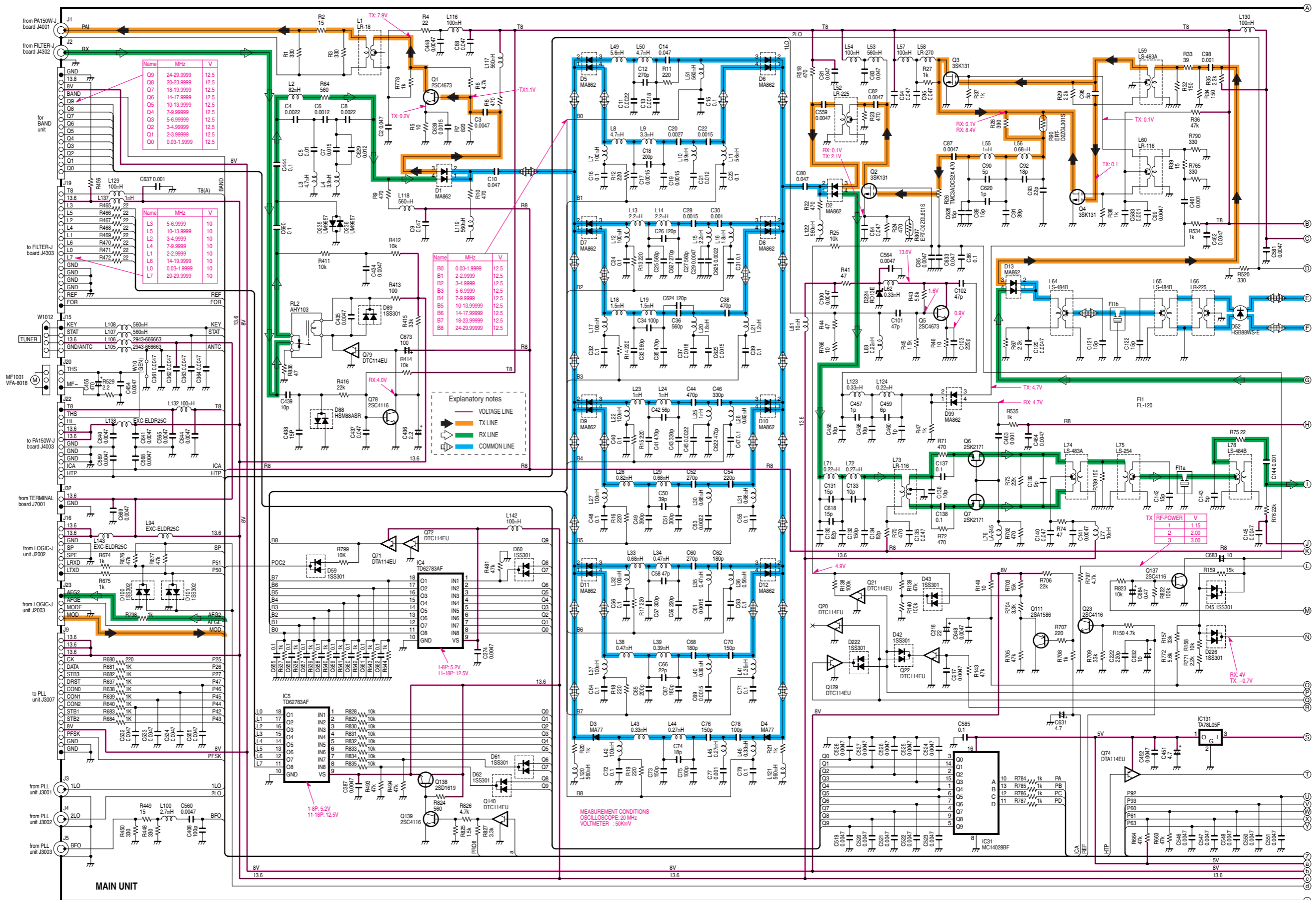
• SENSOR1-J BOARD
SENSOR2-J BOARD
(BOTTOM VIEW)



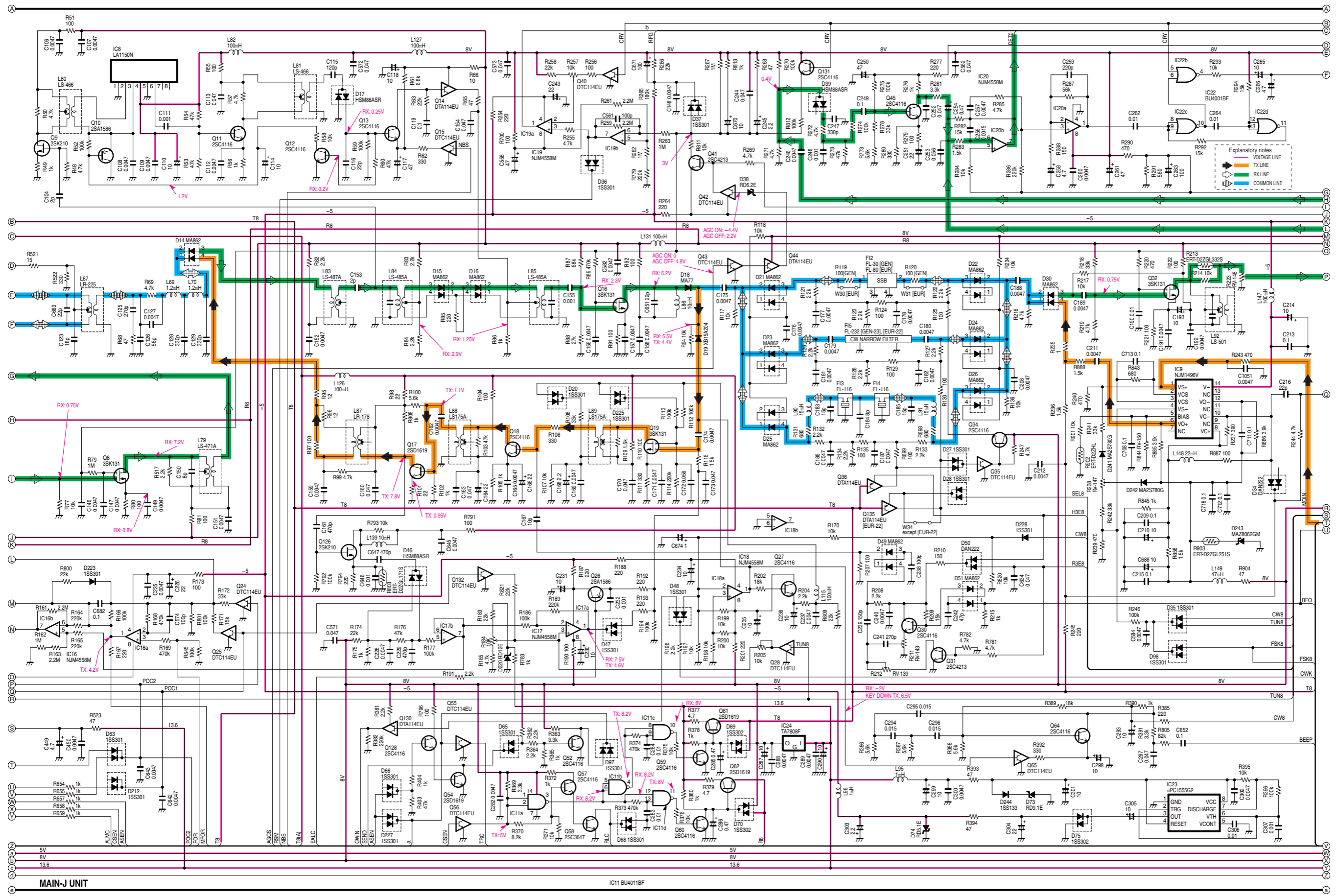
J2601/J2701			
1	GND	GND	2
	NC	NC	
5	UP1/2	DN1/2	6

to LOGIC-J board J2009 [SENSOR1-J]
to LOGIC-J board J2010 [SENSOR2-J]

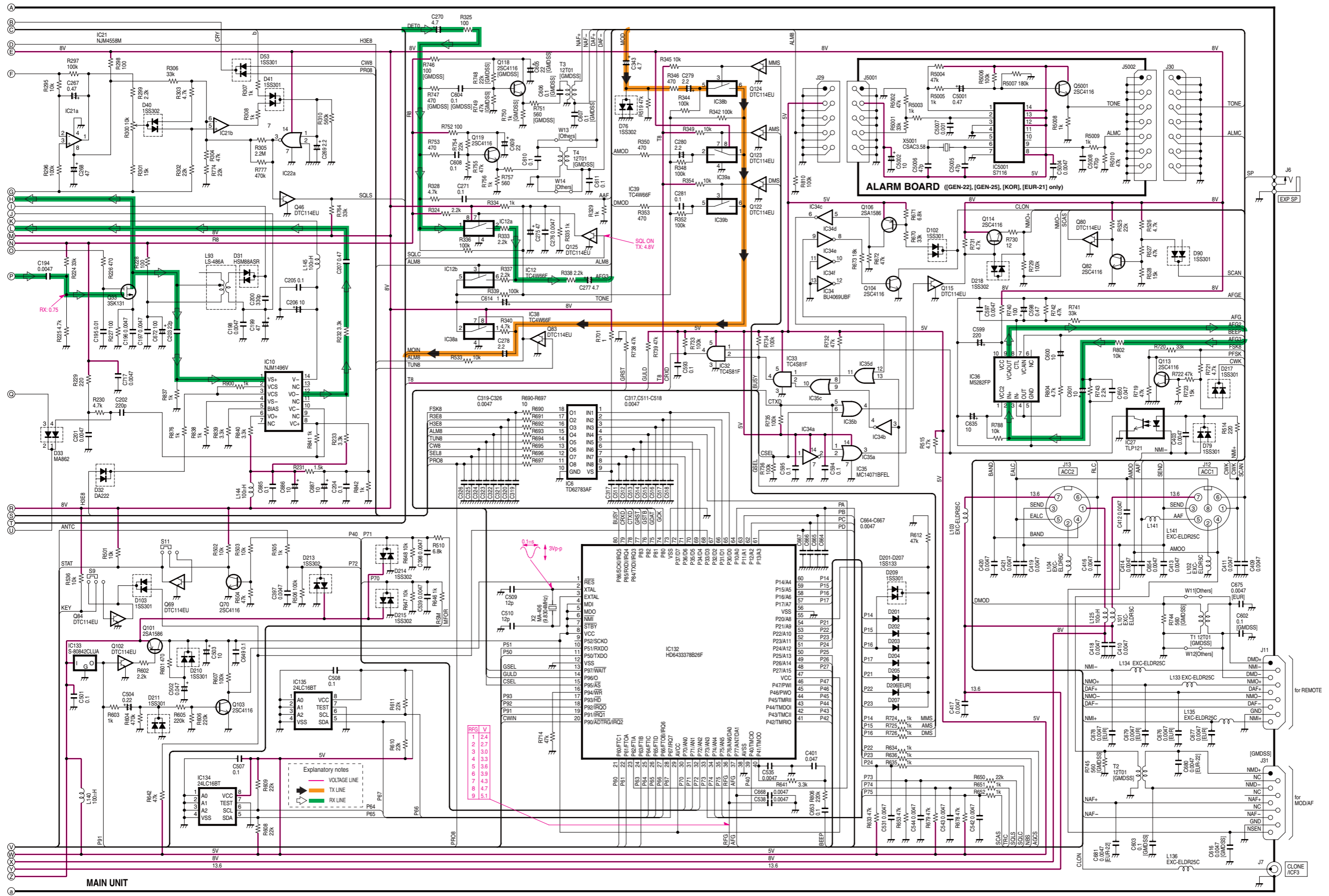
NOTE: Add "2600" [SENSOR1-J] / "2700" [SENSOR2-J] to each indicated part number on the unit for the actual number.



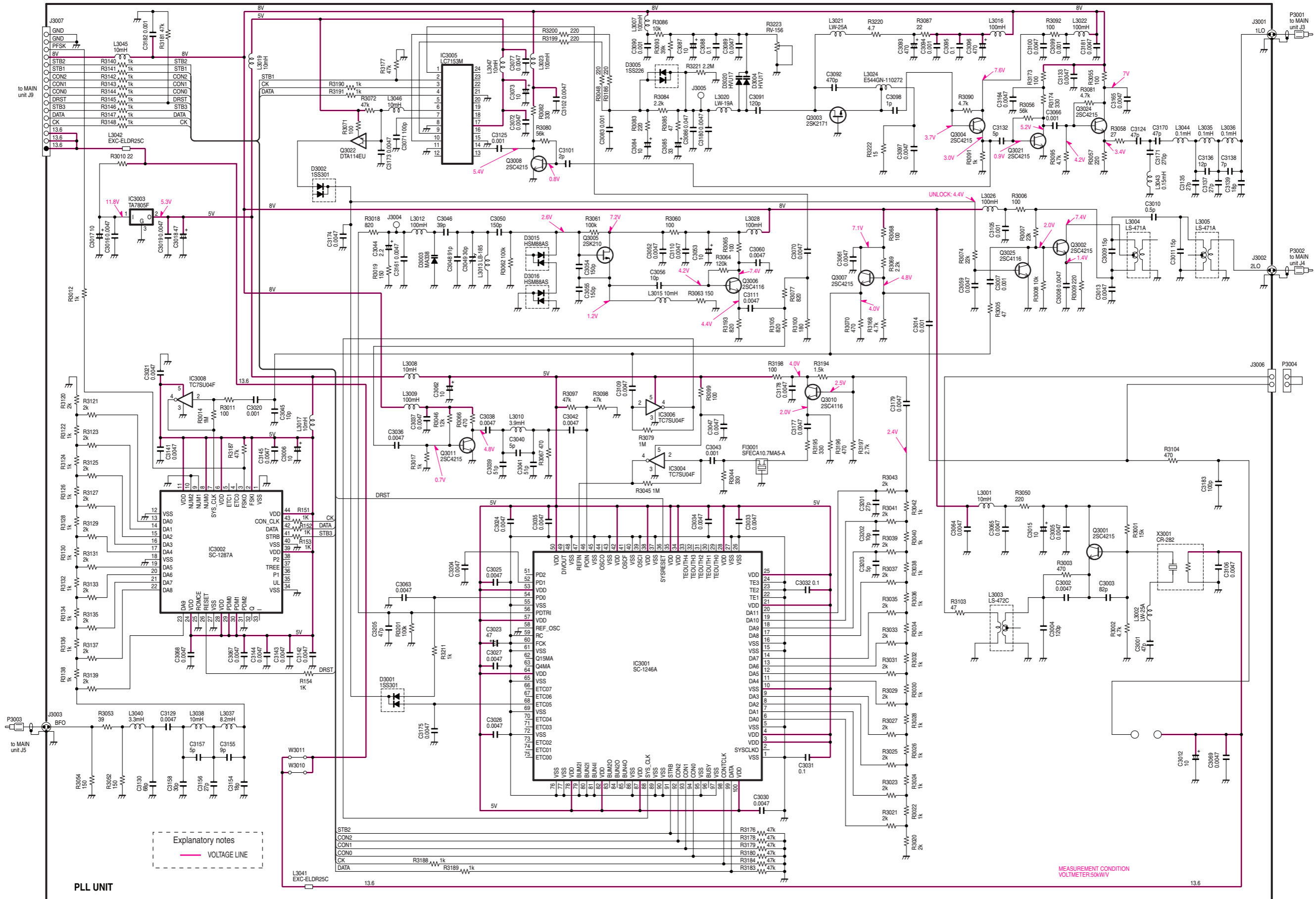
*; Refer to "PARTS LIST."



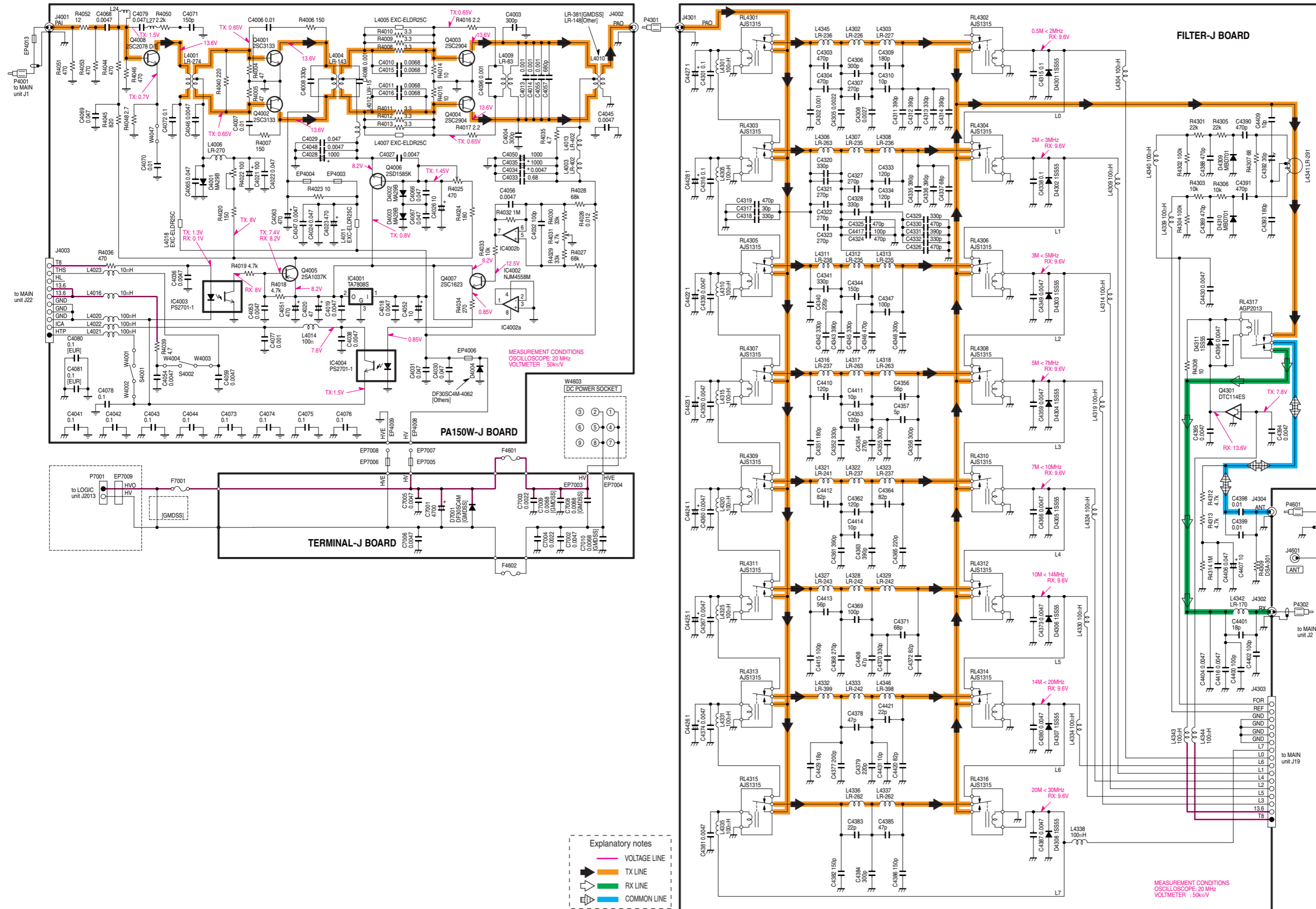
*; Refer to "PARTS LIST"



*; Refer to "PARTS LIST."



*; Refer to "PARTS LIST."



Explanatory notes
 — VOLTAGE LINE
 — TX LINE
 — RX LINE
 — COMMON LINE

*; Refer to "PARTS LIST."

ICOM[®]

**SERVICE
MANUAL**

HF MARINE TRANSCEIVER

IC-M710

Icom Inc.

INTRODUCTION

This service manual describes the latest service information for the **IC-M710** HF MARINE TRANSCEIVER.

MODEL	Version	SYMBOL	
IC-M710	GEN	GEN-21	Others
		GEN-22	Others
		GEN-23	GMDSS
IC-M710	EUR	EUR-21	Others
		EUR-22	GMDSS

To upgrade quality, any electrical or mechanical parts and internal circuits are subject to change without notice or obligation.

DANGER

NEVER connect the transceiver to an AC outlet or to a DC power supply that uses more than 16 V. This will ruin the transceiver.

DO NOT expose the transceiver to rain, snow or any liquids.

DO NOT reverse the polarities of the power supply when connecting the transceiver.

DO NOT apply an RF signal of more than 20 dBm (100 mW) to the antenna connector. This could damage the transceiver's front end.



ORDERING PARTS

Be sure to include the following four points when ordering replacement parts:

1. 10-digit order numbers
2. Component part number and name
3. Equipment model name and unit name
4. Quantity required

<SAMPLE ORDER>

1160000130 S.IC TD62783AF IC-M710 MAIN UNIT 5 pieces
8810008560 Screw PH M3x8 SUS ZK IC-M710 Top cover 10 pieces
Addresses are provided on the inside back cover for your convenience.

REPAIR NOTES

1. Make sure a problem is internal before disassembling the transceiver.
2. **DO NOT** open the transceiver until the transceiver is disconnected from its power source.
3. **DO NOT** force any of the variable components. Turn them slowly and smoothly.
4. **DO NOT** short any circuits or electronic parts. An insulated tuning tool **MUST** be used for all adjustments.
5. **DO NOT** keep power ON for a long time when the transceiver is defective.
6. **DO NOT** transmit power into a signal generator or a sweep generator.
7. **ALWAYS** connect a 50 dB to 60 dB attenuator between the transceiver and a deviation meter or spectrum analyzer when using such test equipment.
8. **READ** the instructions of test equipment thoroughly before connecting equipment to the transceiver.

TABLE OF CONTENTS

SECTION 1	SPECIFICATIONS	
SECTION 2	INSIDE VIEWS	
SECTION 3	CIRCUIT DESCRIPTION	
3 - 1	RECEIVER CIRCUITS	3 - 1
3 - 2	TRANSMITTER CIRCUITS	3 - 3
3 - 3	PLL CIRCUITS	3 - 5
3 - 4	DC-DC CONVERTER CIRCUIT	3 - 6
3 - 5	CPU PORT ALLOCATIONS	3 - 7
SECTION 4	ADJUSTMENT PROCEDURES	
4 - 1	PREPARATION BEFORE SERVICING	4 - 1
4 - 2	PLL ADJUSTMENT	4 - 2
4 - 3	POWER VOLTAGE ADJUSTMENT	4 - 2
4 - 4	TRANSMITTER ADJUSTMENT	4 - 4
4 - 5	RECEIVER ADJUSTMENT	4 - 8
SECTION 5	PARTS LIST	
SECTION 6	MECHANICAL PARTS AND DISASSEMBLY	
SECTION 7	SEMI-CONDUCTOR INFORMATION	
SECTION 8	BOARD LAYOUTS	
8 - 1	LOGIC UNIT	8 - 1
8 - 2	SENSOR1/2 BOARD	8 - 1
8 - 3	MIC BOARD	8 - 1
8 - 4	VR1 BOARD	8 - 1
8 - 5	VR2 BOARD	8 - 1
8 - 6	MAIN UNIT	8 - 3
8 - 7	PLL UNIT	8 - 5
8 - 8	PLL-A UNIT	8 - 7
8 - 9	PA150W BOARD	8 - 9
8 - 10	FILTER BOARD	8 - 11
8 - 11	TERMINAL BOARD	8 - 12
8 - 12	REG BOARD	8 - 13
8 - 13	ALARM BOARD	8 - 13
SECTION 9	BLOCK DIAGRAM	
SECTION 10	VOLTAGE DIAGRAMS	
10 - 1	FRONT UNIT	10 - 1
10 - 2	MAIN UNIT	10 - 2
10 - 3	PLL UNIT	10 - 5
10 - 4	PLL-A UNIT	10 - 6
10 - 5	PA150W, TERMINAL, FILTER AND REG BOARDS	10 - 7

SECTION 1 SPECIFICATIONS

■ GENERAL

• Frequency coverage	: Receive 0.5000 kHz–29.9999 MHz Transmit 1.6000–2.9999 MHz 4.0000–4.9999 MHz 6.0000–6.9999 MHz 8.0000–8.9999 MHz 12.0000–13.9999 MHz 16.0000–17.9999 MHz 18.0000–19.9999 MHz 22.0000–22.9999 MHz 25.0000–27.50000 MHz
• Mode	: J3E (USB), H3E (AM), J2B (AFSK), F1B (FSK), R3E, A1A (CW) (Available modes differ according to versions)
• Number of channels	: 1136 channels (max.) [160 (user programmable), 242 (ITU SSB duplex), 72 (ITU simplex), 662 (ITU FSK duplex)]
• Antenna impedance	: 50 Ω (nominal)
• Usable temperature range	: –30°C to +60°C; –22°F to +140°F (Specifications are guaranteed with –20°C to +40°C; –4°F to +104°F)
• Frequency stability	: ±10 Hz (–30°C to +60°C; –22°F to +140°F) (±20 Hz above 15 MHz for [GEN-21], [GEN-22], [EUR-21].)
• Power supply requirement	: 13.6 V DC ±15% Negative ground [GEN] 13.6 V DC ±15% Floating ground [EUR]
• Current drain (at 13.6 V DC)	: Transmit (max. output power) 30 A Receive (max. audio output) 2.5 A [GEN] 3 A [EUR]
• Dimensions (projections not included)	: 291.4(W)×315(D)×116.4(H) mm 11 ¹ / ₂ (H)×12 ¹¹ / ₃₂ (W)×4 ¹⁹ / ₃₂ (D) in
• Weight	: 7.9 kg; 17 ¹³ / ₃₂ lb [Others] 8.1 kg; 17 ²⁷ / ₃₂ lb [GMDSS]

■ TRANSMITTER

• Output power (at 13.6 V DC)	: 150, 60, 20 W PEP (60, 20 W PEP only above 25 MHz) [GEN] 150, 60 W PEP (60 W PEP only above 25 MHz) [EUR] 125 W PEP (85 W PEP MF and 25 MHz bands) [GMDSS]
• Spurious emissions	: –65 dB [GEN] –60 dB [EUR]
• Carrier suppressions	: 40 dB
• unwanted sideband suppression	: 55 dB
• Microphone impedance	: 600 Ω

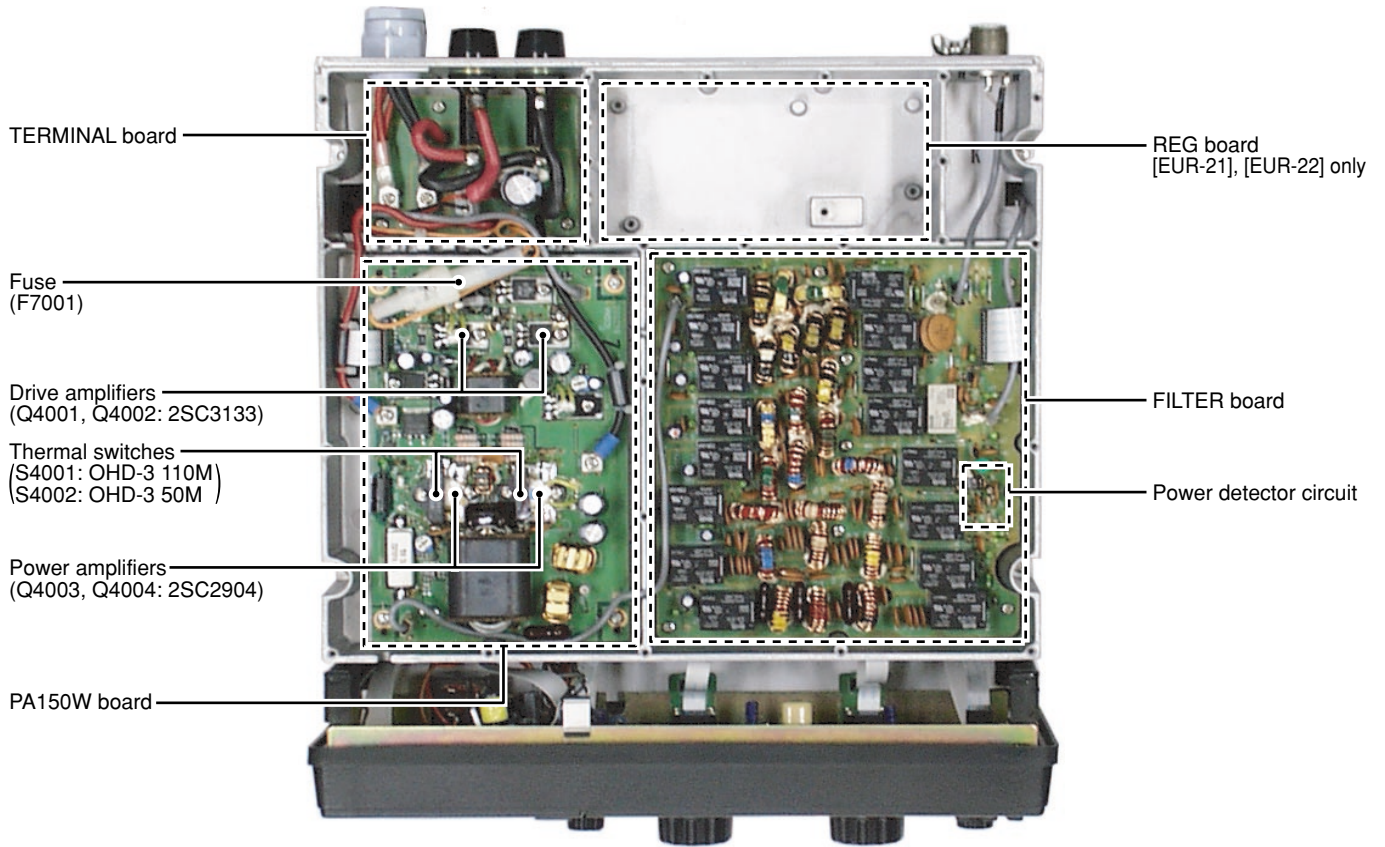
■ RECEIVER

• Sensitivity	:
J3E, R3E, J2B, A1A, F1B (for 12dB SINAD)	: 0.5 μV (1.8000–29.9999 MHz) 1.0 μV (1.6000–1.7999 MHz) 6.3 μV (0.5000–1.5999 MHz)
H3E (for 10dB S/N)	: 3.2 μV (1.8000–29.9999 MHz) 6.3 μV (1.6000–1.7999 MHz) 32 μV (0.5000–1.5999 MHz)
• Spurious response rejection	: 70 dB (1.6000–29.9999 MHz)
• Audio output power	: 4.5 W (at 10% distortion with a 4 Ω load)
• Audio impedance	: 4 to 8 Ω
• Clarity variable range	: ±150 Hz

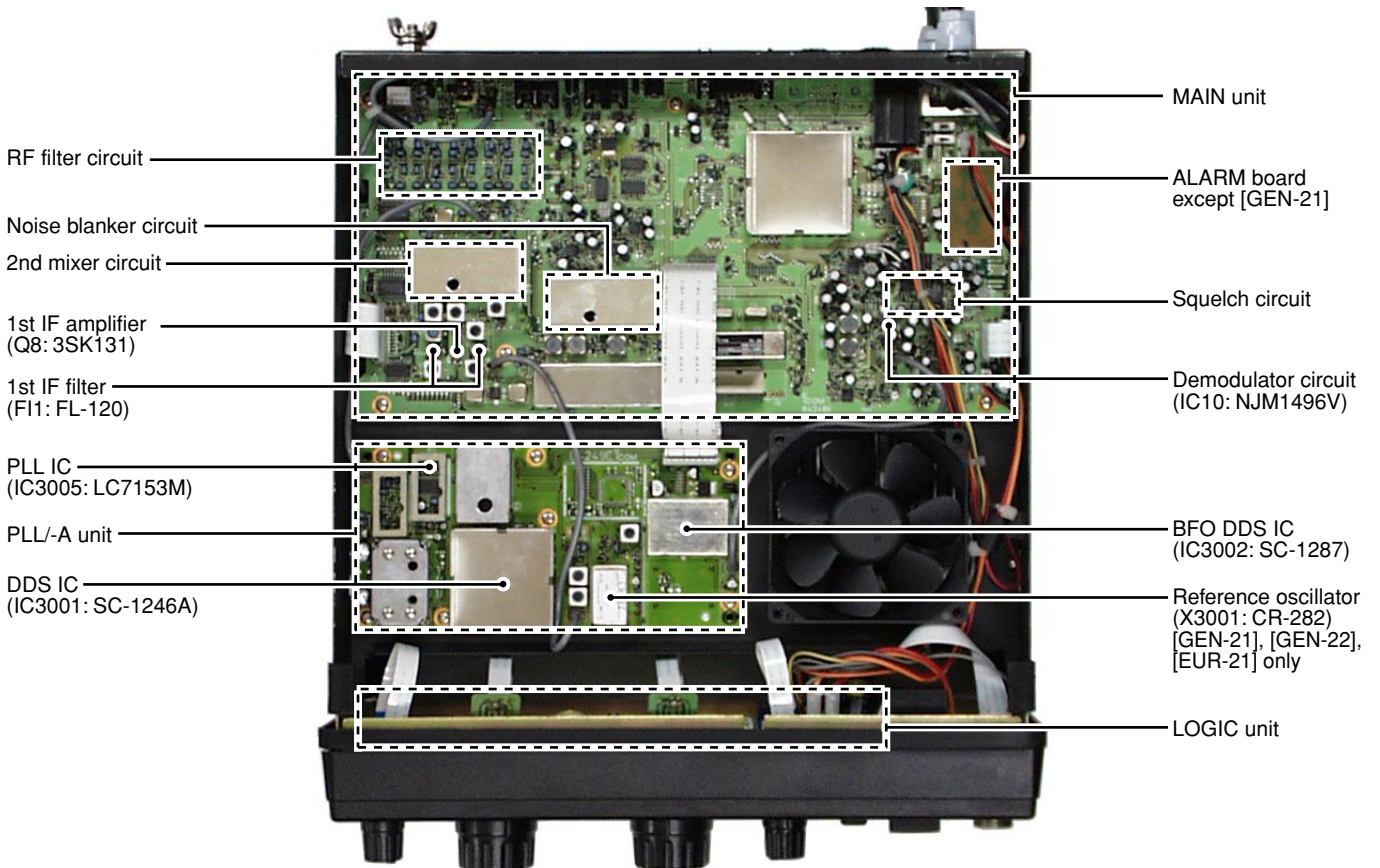
All stated specifications are subject to change without notice or obligation.

SECTION 2 INSIDE VIEWS

• PA150W, FILTER AND TERMINAL BOARDS



• MAIN, PLL AND LOGIC UNITS



SECTION 3 CIRCUIT DESCRIPTION

3-1 RECEIVER CIRCUITS

3-1-1 RF FILTER CIRCUIT (MAIN UNIT)

Received signals from the antenna connector pass through the transmit/receive switching relay (FILTER board RL4317) and are then applied to the MAIN unit via J2.

The signals pass through the protection relay (RL2), 1.6 MHz cut off high-pass filter (L2–L4, C4–C8, C629) and are then applied to one of nine bandpass filters (including one low-pass filter for below 2.0 MHz). These filters are selected by the filter control signals (B0–B8) as described in the table below.

The filtered signals pass through the 30 MHz cut-off low-pass filter (L71, L72, C130–C134, C618), and are then applied to the 1st mixer circuit (Q6, Q7).

• RF FILTERS USED

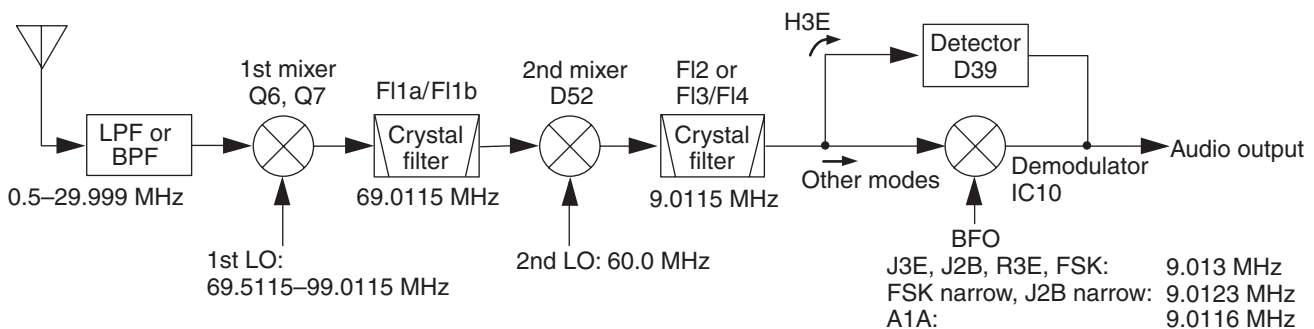
Frequency (MHz)	Control signal	Entrance coil	Frequency (MHz)	Control signal	Entrance coil
0.5–1.999	B0	L49	10–13.999	B5	L28
2–2.999	B1	L8	14–17.999	B6	L33
3–4.999	B2	L13	18–23.999	B7	L38
5–6.999	B3	L18	24–29.999	B8	L43
7–9.999	B4	L23			

3-1-2 1ST MIXER AND IF CIRCUITS (MAIN UNIT)

The 1st mixer circuit converts the received signals into a fixed frequency, 69.0115 MHz 1st IF signal using the PLL output frequency. By changing the PLL frequency, only the desired frequency is picked up at the pair of crystal filters (F11a, F11b) at the next stage.

The IF amplifier (Q8) and resonator circuits are designed between the filter pair. The PLL output signal (1LO) enters the MAIN unit via J3 and is amplified at the 1st LO amplifier (Q5) and then applied to the 1st mixer (Q6, Q7)

• RECEIVE FREQUENCY CONSTRUCTION



3-1-3 2ND MIXER AND IF CIRCUITS (MAIN UNIT)

The 1st IF signal from the crystal filter (F11b) is converted again into a 9.0115 MHz 2nd IF signal at the 2nd mixer circuit (D52, L66, L67). The 60 MHz 2nd local signal (2LO) from the PLL unit enters the MAIN unit via J4 to be applied to the 2nd mixer.

The 2nd IF signal is passed through the noise blanker gate (D15, D16) and amplified at the 2nd IF amplifier (Q16) and then applied to one of the 9 MHz IF filters as described below. The passed signal is amplified at the two stage 2nd IF amplifiers (Q32, Q33) and is applied to a demodulator circuit (D39 for H3E or IC10 for J3E and others).

• 2ND IF FILTERS USED

MODE	Used filter	Control signal
J3E, R3E, FSK	F12	SEL8: low, H3E8: low
H3E	F13/F14	SEL8: low, H3E8: high
FSK narrow, A1A narrow	Optional narrow filter*	SEL8: high, H3E8: low

*Built-in to the GMDSS versions

3-1-4 NOISE BLANKER CIRCUIT (MAIN UNIT)

The noise blanker circuit cuts off the IF circuit line at the moment of receiving a pulse-type noise.

A portion of the 2nd IF signal between resonator circuits (L83, L84 after stage of the 2nd mixer, D52) is amplified at the noise amplifiers (Q9, IC8, Q11). The signal is then detected at the noise detector (D17) to convert the noise components to DC voltages.

The signals are then applied to the noise blanker switch (Q13, Q14). At the moment the detected voltage exceeds the Q13's threshold level, Q14 outputs a blanking signal to close the noise blanker gate (D15, D16) by applying reverse-biased voltage. Q15 turns the noise blanker circuit ON and OFF.

The detected voltage is also applied to the noise blanker AGC circuit (Q12, Q10) and is then fed back to the noise amplifier (IC8) as a bias voltage. The noise AGC circuit prevents closure of the noise blanker gate for long periods by non-pulse-type noise. The time constant of the noise blanker AGC circuit is determined by R58 and C114.

3-1-5 DEMODULATOR CIRCUIT (MAN UNIT)

This circuit mixes the 2nd IF and BFO signals to pick up the AF components (except H3E mode). The 2nd IF signal from the 2nd IF amplifier (Q33) is applied to the balanced mixer (IC10, pin 1). The 9.0116–9.0130 MHz BFO signal from the PLL unit is also applied to IC10 (pin 10). AF signals are output from pin 12 and are then applied to the AF circuits.

3-1-6 H3E DETECTOR CIRCUIT (MAIN UNIT)

The 2nd IF signal from the 2nd IF amplifier (Q33) is applied to the AM detector circuit (D39) to be demodulated into AF signals. The detected signals are amplified at the buffer amplifier (Q45), and are then applied to the AF circuits.

3-1-7 AGC CIRCUIT (MAIN UNIT)

The AGC (Automatic Gain Control) circuit reduces IF amplifier gain to prevent the receiver circuit from distorting and to keep the audio output at a constant level.

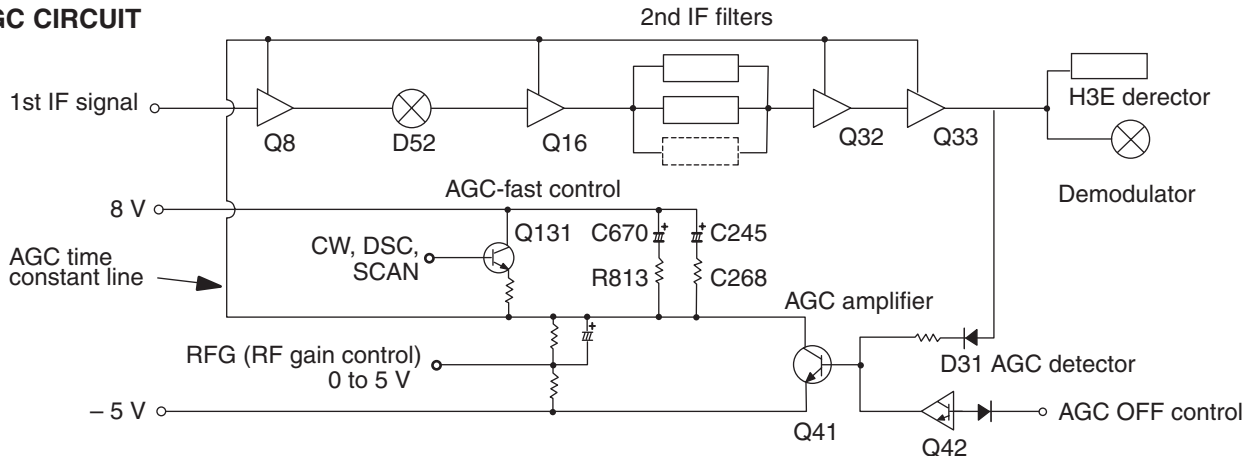
A portion of the IF signals from the 2nd IF amplifier (Q33) is detected at the AGC detector circuit (D31) and is then applied to the AGC amplifier (Q41) to control the AGC time constant line. The reference voltage of the AGC line is controlled by the “RFG” line which comes from the CPU for the RF gain setting.

When receiving a strong signal, the detected voltage increases and the voltage of the AGC line is decreased by the AGC amplifier (Q41) via the –5 V voltage line. The AGC line is used for the bias voltage of the IF amplifiers (Q8, Q16, Q32, Q33), so that these amplifiers reduce gain.

When the strong signal disappears, the AGC line voltage is released by C245/R268 and C670/R813.

The AGC switch (Q42, D38) turns the AGC circuit OFF when the AGC OFF function activates. The AGC-fast switch (Q131) sets the AGC line as fast-release during scanning, A1A mode selection and DSC operation.

• AGC CIRCUIT



3-1-8 S-METER CIRCUIT (MAIN UNIT)

The S-meter indicates the AGC level on the display, since the AGC level varies with the received signal strength.

The AGC bias voltage (AGC time constant line) from the AGC amplifier (Q41) is inverted and amplified at the meter amplifier (IC19b). The amplified signal is applied to the CPU via the “RSM” line.

3-1-9 AF AMPLIFIER CIRCUITS (MAIN UNIT AND LOGIC BOARD)

AF signals from the demodulator or H3E detector circuits pass through the active low-pass filter (IC20b) and squelch gate (IC12a), and are then applied to the electronic volume control (IC36). The CPU (IC132, pin 37) outputs the volume control signal (1 to 5 V) according to the [VOLUME] control setting.

The AF output signal from IC36 (9 pin) are supplied to the LOGIC unit via J23. The signals are amplified at the AF power amplifier (IC2007) and are then applied to the internal speaker via microphone connector (pins 3, 4) and external [SP] jack via the MAIN unit.

The speaker switch relay (RL2001) is connected to the (–) terminal of internal speaker for the [SPEAKER] switch function.

3-1-10 SQUELCH CIRCUIT (MAIN UNIT)

The transceiver has two squelch circuits, voice activated squelch for J3E/H3E and S-meter squelch for A1A/F1B/J2B.

(1) AF ACTIVATED SQUELCH

A portion of the AF signal from the active low-pass filter (IC20b) is amplified at the limiter amplifier (IC20a) and is then applied to the one-shot multi-vibrator (IC22c, IC22d). The one shot multi-vibrator functions as an F-V converter which generates a signal only when audio signals are received.

The output signals pass through the NOR gate (IC22b) and then the 3 Hz low-pass filter (IC21a) to remove the remaining noise components. The filtered signal is applied to the window comparator (IC21b). The NOR gate (IC22b) deactivates the audio activated squelch during A1A/F1B/J2B mode operation.

The comparator outputs “High” when the integrated signals exceed the reference voltage. C269, R310 and R780 are used as a time constant circuit. The resulting signal output from IC22a is inverted at Q46 and is then applied to the CPU as the “SQLS” signal. The CPU controls the squelch gate (IC12a) when the “SQLS” signal is received.

(2) S-METER SQUELCH

The S-meter signal from IC19b is applied to the squelch comparator (IC19a) to close or open the squelch circuit. The reference voltage is adjusted by R257 and then applied to the (–) terminal of the comparator (IC19a). When the S-meter signal exceeds the reference voltage, the comparator outputs “High” to the CPU via IC22a and Q46 in the same manner as the voice activated squelch circuit.

3-2 TRANSMITTER CIRCUITS

3-2-1 MICROPHONE AMPLIFIER CIRCUIT (LOGIC BOARD)

The AF signals from the [MICROPHONE] connector are pass through the AF amplifier (IC2008a), and are applied to the balanced modulator (MAIN unit; IC9, pin 1) via the AF switch (IC38b). The microphone AGC circuit (D2008, D2009, Q2009) controls the amplifier gain to prevent signal distortion.

External modulation inputs from the ACC, NBDP, DSC sockets or a 2-tone emergency signal from the CPU are applied to the balanced modulator directly via AF switches (IC37–IC39).

3-2-2 MODULATION CIRCUIT (MAIN UNIT)

(1) J3E AND J2B MODES

The balanced modulator is used for J3E and J2B modes to add the audio signal to the BFO frequency, and outputs the IF signal while suppressing the BFO signal.

The AF signals from the microphone amplifier or external audio from the modulation terminals are applied to the balanced modulator (IC9, pin 1). The BFO signal from the PLL unit is applied to (IC9, pin 10) as a carrier signal. A double sideband signal is output from IC9 (pin 6), and is then applied to the 9 MHz filter (F12) to create an SSB signal.

R238 adjusts the balanced level of IC9 for maximum carrier suppression. In J2B mode, the BFO frequency is shifted 1.7 kHz to set the transmit frequency the same as the displayed frequency.

The SSB signal from F12 is amplified at the 9 MHz amplifiers (Q17–Q19) and is then applied to the mixer circuit (D52). The switching diode (D19) is turned ON when R8 voltage disappears.

(2) H3E AND R3E MODES

An SSB signal is applied to the IF amplifier (Q18) in the same manner as with J3E/J2B mode. The BFO signal from the PLL unit is amplified at the buffer amplifier (Q30) and is then applied to the IF amplifier (Q18) as a carrier signal to be added to an SSB signal. R211 and R212 adjust the carrier levels in H3E and R3E modes, respectively.

(3) A1A AND F1B MODES

The CW8 or FSK8 voltage are applied to the balanced modulator (IC9, pin 4) to upset the balance and create a carrier signal.

In A1A mode, the CW keying circuit (IC18a) controls the bias voltage of the IF amplifiers (Q18, Q19) and T/R switching diode (D19) to switch the carrier transmission.

In F1B mode, BFO frequency is shifted in the PLL unit to create the mark and space frequencies.

3-2-3 1ST MIXER CIRCUIT (MAIN UNIT)

The amplified signal from the IF amplifier (Q17) is mixed with a 60 MHz LO signal at the 1st mixer circuit (D52) to produce a 69.0115 MHz IF signal. The mixer is commonly used with the receiver 2nd mixer.

The 69.0115 MHz IF signal passes through the filter (F11b) and is then applied to the 2nd mixer circuit.

3-2-4 2ND MIXER CIRCUIT (MAIN UNIT)

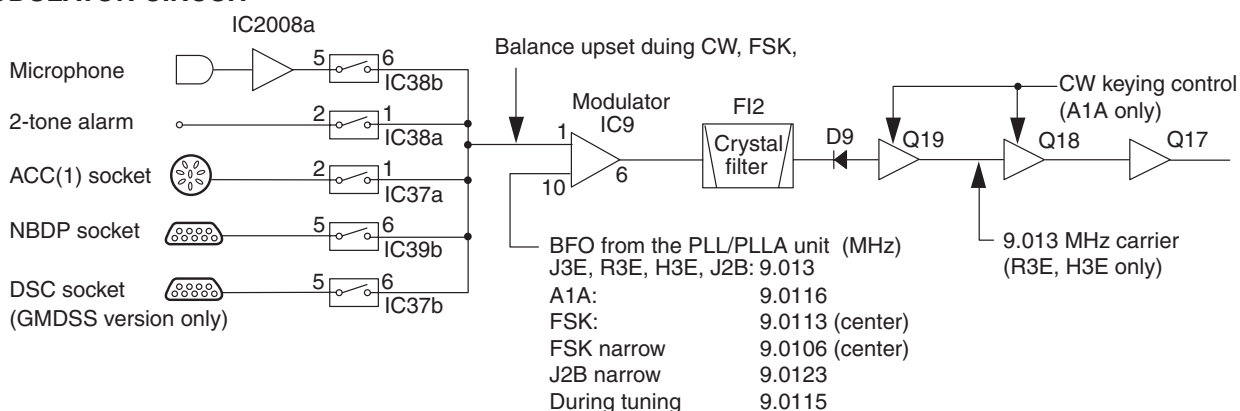
The filtered signal is mixed with a PLL output frequency (1LO: 69.5155–99.0155 MHz) at the 2nd mixer circuit (Q3, Q4) to produce an RF signal which is the same frequency as the displayed one.

3-2-5 RF FILTER CIRCUIT (MAIN UNIT)

The RF signal passes through the low-pass filter (L55, L56, C89–C93, C620, C628) and is then amplified at the RF amplifier (Q2).

The amplified signal is applied to one of nine RF filters. These RF filters are commonly used with the receiver circuit which consists of eight high-pass filters and one low-pass filter. The filtered signal is amplified at the RF amplifier (Q1) and is then applied to the PA150W board via J1.

• MODULATOR CIRCUIT



3-2-6 POWER AMPLIFIER CIRCUIT (PA150W BOARD)

This circuit provides a stable 150 W (at 13.6 V) of output power. The RF signal from the MAIN unit is amplified at the pre-driver (Q4008), drivers (Q4001, Q4002), and power amplifiers (Q4003, Q4004).

The driver and power amplifiers form class AB push-pull circuits. Bias voltage to these transistors is produced by diodes (D4001–D4003) which have temperature junctions with the transistors.

The amplified signal is then applied to one of eight low-pass filters to suppress high harmonic components. The filtered signal passes through the power detector circuit (FILTER board; L4341) and transmit/receive switching relay (FILTER board; RL4317) and is then applied to the antenna connector.

• LOW-PASS FILTERS USED (FILTER BOARD)

Frequency (MHz)	Control signal	Entrance Relay	Frequency (MHz)	Control signal	Entrance Relay
0.5–1.999	L0	RL4301	10–13.999	L5	RL4311
2–2.999	L1	RL4303	14–17.999	L6	RL4313
3–4.999	L2	RL4305	18–19.999		
5–6.999	L3	RL4307	20–21.999	L7	RL4315
7–9.999	L4	RL4309	22–23.999		
			24–29.999		

3-2-7 ALC CIRCUIT

The transceiver has two ALC (Auto Level Control) loops for constant output power over all marine bands and for high power setting.

(1) IF ALC CIRCUIT (MAIN UNIT)

A portion of the IF signals from the IF amplifier (Q17) is applied to the IF ALC circuit. The signal is amplified at Q126 and then detected at the ALC detector (D46). The detected signal is amplified at the ALC amplifier (IC17b) and is then applied to the comparator (IC17a).

The reference voltage for the comparator is set by R184. The antenna tuning control voltage (TUN8) and low power set signal (POC1) are also affected by the reference voltage to decrease the IF signal level.

The comparator output controls the gate bias of the IF amplifier (Q19), so that the IF signal level is determined by the reference voltage of the comparator (IC17a).

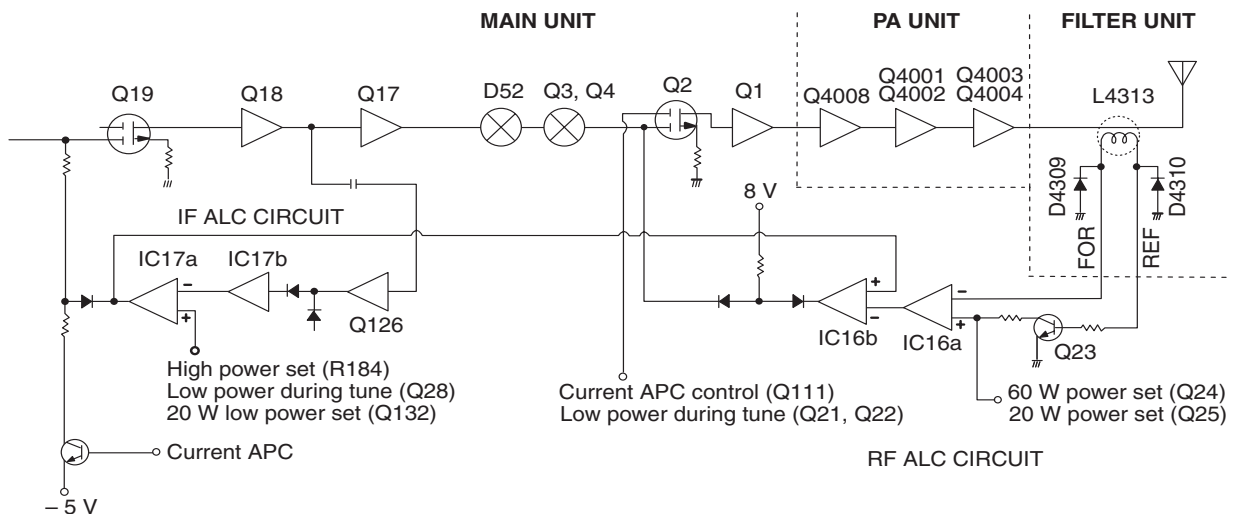
(2) RF ALC CIRCUIT (FILTER BOARD)

The RF output power level is detected at D4309 of the power detector circuit (FILTER board; L4341, D4309, D4310). The detected signal (“FOR” signal) is applied to the RF ALC amplifier (MAIN unit; IC16a).

The amplified signal enters the transmit gain controller (IC16b) which functions as an inversion amplifier. The gain controller decrease the gain of the IF amplifier (MAIN unit; Q2) to constant output power from differential amplifier gains which are occurred by their frequency characteristics.

The bias voltage of the RF ALC amplifier (IC16a) is controlled by the low power control signal (POC1 for 20 W, POC2 for 60 W) and APC signal.

• ALC CIRCUIT



3-2-8 APC CIRCUIT

The APC (Auto Power Control) circuit protects the power amplifiers on the PA unit from high SWR and excessive current.

(1) SWR APC (FILTER BOARD AND MAIN UNIT)

The reflected wave signal appears and increases on the antenna connector. When the antenna is mismatched, D4310 of the power detector circuit (FILTER board; D4309, D4310, L4341) detects the signal and applies it to the APC amplifier (MAIN unit; Q23). The amplified signal decreases the bias voltage of the RF ALC amplifier to reduce the output power.

(2) CURRENT APC (PA150W BOARD AND MAIN UNIT)

The power transistor current is detected from the different voltages between both terminals of a 0.012 Ω resistor (R4026) on the PA150W board. The detected voltage is applied to the differential amplifier (IC4002b). When the current of the final transistors is more than 30 A, the detected voltage is applied to the APC amplifier controller (MAIN unit; Q111) to reduce the gate-2 voltage of the IF amplifier (MAIN unit; Q2) and thus reduce the output power.

3-2-9 TEMPERATURE DETECTION (PA150W BOARD)

Thermal switches (S4001, S4002) protect the final transistors from excessive temperatures. When the temperature of the final transistors exceeds 50°C (122°F), S4002 is turned ON to start the cooling fan. When the temperature of the final transistors exceeds 110°C (230°F), S4001 is turned ON to control the “POC2” line and sets the power to 60 W.

3-2-10 RF METER CIRCUIT (MAIN UNIT)

The output of the ALC amplifier (IC16a) is applied to the CPU (pin 31) to indicate the transmit power level on the display.

For antenna current meter indication, the “ANTC” signal from an optional AT-130E is applied to the CPU (pin 32).

3-3 PLL CIRCUIT

3-3-1 GENERAL

The PLL unit generates a 1st LO frequency (69.5115–99.0114 MHz), 2nd LO frequency (60 MHz) and a BFO frequency (9.0106–9.013 MHz) for the MAIN unit. The 1st LO PLL adopts a mixerless dual loop PLL system. The BFO uses a DDS and a 2nd LO as a fixed frequency double that the crystal oscillator.

3-3-2 1ST LO PLL (PLL UNIT)

The 1st LO PLL contains a main loop and reference loop as a dual loop system. The reference loop generates a 10.65 to 10.75 MHz frequency using a DDS circuit, and the main loop generates a 69.5115 to 99.0114 MHz frequency using the reference loop frequency.

(1) REFERENCE LOOP PLL

The oscillated signal at the reference VCO (Q3005, D3003) is amplified at the buffer amplifiers (Q3006, Q3011) and is then applied to the DDS IC (IC3001, pin 46). The signal is then divided and detected on phase with the DDS generated frequency.

The detected signal output from IC3001 (pin 56) is converted into a DC voltage (lock voltage) at the loop filter (R3018, R3019, C3044) and then fed back to the varactor diode (D3003) in the VCO circuit.

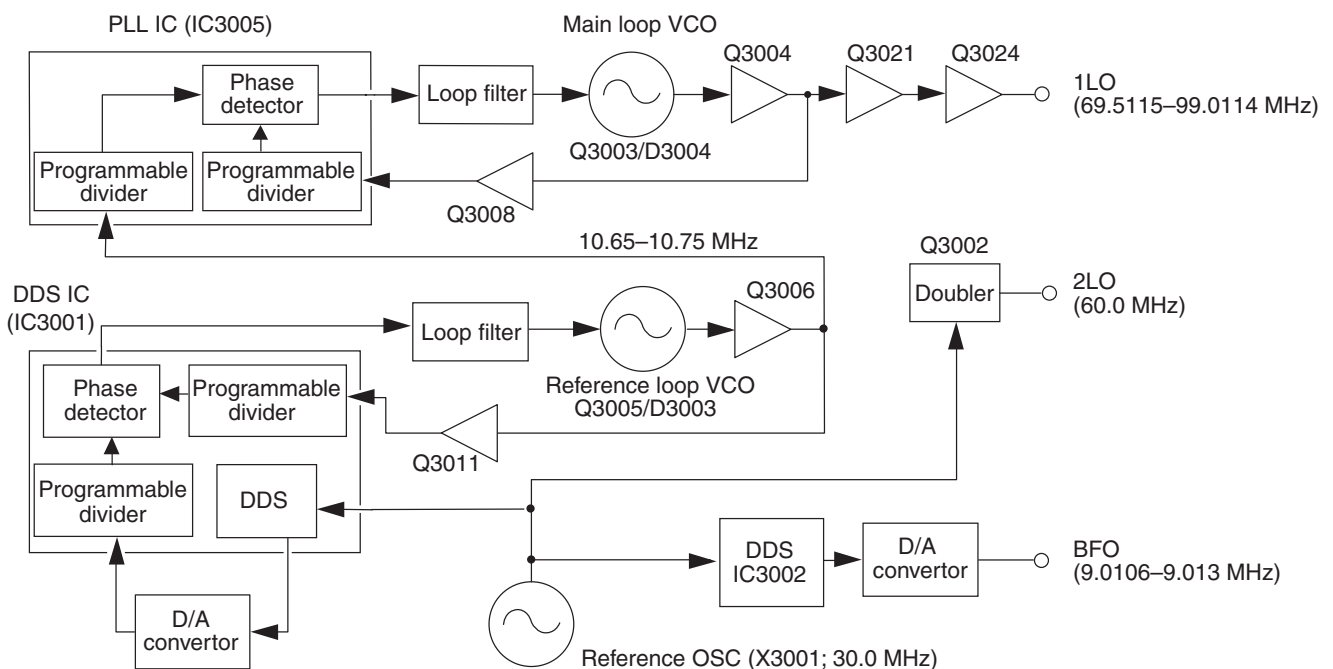
(2) MAIN LOOP PLL

The oscillated signal at the main loop VCO (Q3003, D3004) is amplified at the buffer amplifiers (Q3004, Q3008), and is then applied to the PLL IC (IC3005, pin 14). The signal is then divided and detected on phase with the reference loop output frequency.

The detected signal output from IC3005 (pins 3009, 3010) is converted into a DC voltage (lock voltage) at the loop filter and then fed back to the varactor diode (D3004) in the VCO circuit.

The oscillated signal is amplified at the buffer amplifiers (Q3004, Q3021, Q3024) and then applied to the MAIN unit as a 1st LO signal.

• PLL CIRCUIT



3-3-3 2ND LO AND REFERENCE OSCILLATOR CIRCUITS

The reference oscillator (X3001) generates 30.0 MHz frequency used for the both DDS ICs as a system clock and for the LO output. The oscillated signal is doubled at the driver (Q3002) and picked up the 60 MHz frequency at the resonator circuit (L3004, L3005). The 60 MHz signal is applied to the MAIN unit as a 2nd LO signal.

3-3-4 BFO CIRCUIT

The DDS IC (IC3002) generates a 10-bit digital signal using the 30 MHz system clock. The digital signal is converted to an analog wave signal at the D/A converter (R3120–R3139). The analog wave is passed through the low-pass filter (L3037, L3038, C3154–C3158), and is then applied to the MAIN unit as the BFO signal. The PA unit separate grounding from the other units to obtain floating.

3-4 DC-DC converter CIRCUIT (REG UNIT; [EUR] only)

The IC-M710 [EUR] version employs a floating grounding system which is not connected between transceiver's ground and (–) terminal of the power supply. The PA unit separate grounding from the other units to obtain floating.

The 13.6 V DC from the DC power connector passes through the noise filter (L8001, C8001–C8005), and is then applied to the switching transformer (T8001). The MOS FET (Q8001) is turned ON and OFF by D8003 and Q8003 respectively.

IC8001 is a switching control IC which contains a 5 V reference voltage regulator (pins 12, 14), two error amplifiers (pins 1–3, 15, 16), a saw tooth oscillator (pins 4–6) and a comparator. The switching frequency is determined by R8008 and C8007 and is set at 36 kHz.

AC voltage appear on the secondary terminals of T8001 and rectified by D8002. The rectified DC voltages are passed through the noise filter (L8003, C8009, C8010), and are then applied to the MAIN unit as a 13.6 V DC voltage line.

3-5 PORT ALLOCATIONS

CPU (MAIN unit; IC132)

Pin number	Port name	Description
1	RES	Input port for the CPU reset signal. When receiving a "LOW" pulse, the CPU is reset.
10	RXDO	Data input port from the sub CPU in the FRONT unit.
11	TXDO	Data output port to the sub CPU in the FRONT unit.
16	NSEN	Input port to the sub CPU in the FRONT unit.
17	POC2	Outputs low power control signal for 60 W power.
18	POC1	Outputs low power control signal for 20 W power.
20	CWIN	Input port for the CW keying. High: When key is closed.
21	ASEN	Outputs a "SEND" control signal for the ACC (1) and ACC (2) sockets.
22	CSEN	Outputs a "SEND" control signal for T8 and R8 voltage line control. Low : For transmit.
23	ALMS	Outputs an alarm control signal to activate the 2-tone emergency alarm encoder. High : Alarm ON.
24	ALMC	Outputs a tone switching signal for the 2-tone emergency alarm encoder. High : High tone.
25	SCL	Outputs a clock signal for the EEPROM (IC134).
26	SDA	Data bus line for the EEPROM (IC134).
27	SO	Outputs a serial signal for the EEPROM (IC135).
28	SDA	Data bus line for the EEPROM (IC135).
30	RSM	Input port for the S-meter indication.
31	MFOR	Input port for the RF-meter indication.
32	ANTC	Input port for the antenna current meter indication for [EUR] version. The ANTC signal can be received when an optional AT-130E is connected.
33	SQLS	Input port for the squelch detected signal. High : When squelch is open.
34	TRC	Input port for the transmit/receive switching signal.
35	SCAS	Input port for the scan control signal from the ACC (1) socket.
36	RFG	Outputs RF gain control signal to the AGC circuit.

(MAIN unit; IC132)–Continued

Pin number	Port name	Description
37	AFG	Outputs AF gain control signal to the control (IC36).
39	STAT	Outputs the "tuner start" pulse to an optional AT-130E.
40	BEEP	Outputs a BEEP signal (1 kHz or 500 Hz).
41	STB1	Outputs a strobe signal to the main loop PLL IC (C3005).
42	STB2	Outputs a strobe signal to the reference loop DSS IC (IC3001).
48	STB3	Outputs a strobe signal to the BFO PLL IC (IC3002).
49	DATA	Outputs a data signal to PLL and DDS ICs.
50	CK	Outputs a clock signal to PLL and DDS ICs.
51	SQL C	Outputs an AF mute signal for squelch function. High : Squelch closed.
52	NBS	Outputs a "noise blanker" signal. High : Noise blanker is on
53	AGCS	Outputs an AGC -OFF signal. High: AGC deactivate.
54	NMS	Outputs an external NBDP equipment control signal. Low: During NBDP data output.
55	P20	Outputs a strobe signal for an initial matrix.
57–60	P17–P14	Input ports for an initial matrix.
61–64	PD–PA	Output band signals for RF LPF and BPF selection.
65–67	J2B, R3E, H3E	Outputs mode signals.
68	KEY	Input port for an optional AT-130E. Low : During tuning.
69	CW	Outputs a mode signal.
70	TUNE	Outputs an antenna tuner tuning control signal for transceiver's power/mode control.
71	FSEL	Outputs a narrow filter selection signal. Low : Optional narrow filter selection.
72	PROG	Outputs a program scan control signal for "AGC fast" and "audio squelch" deactivation.

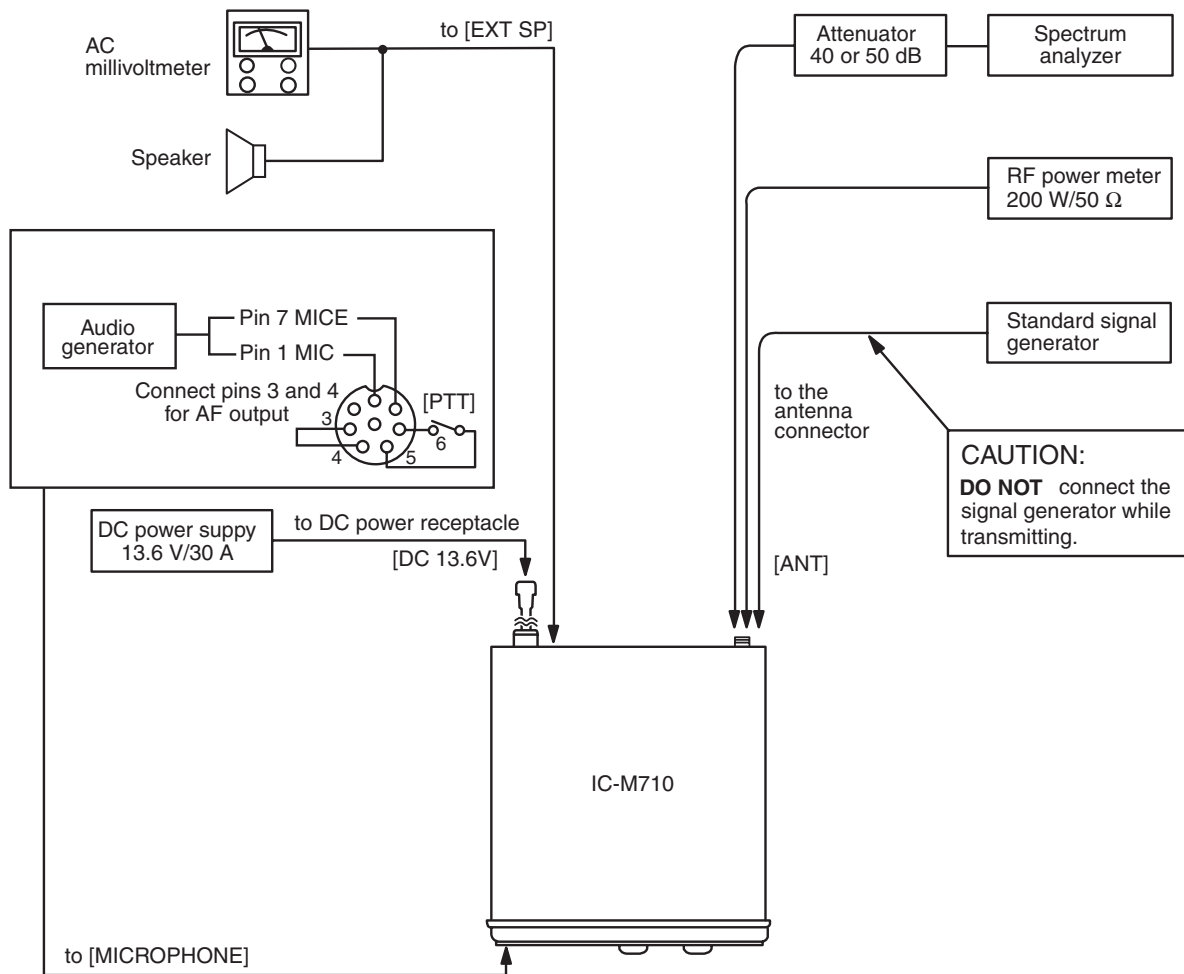
SECTION 4 ADJUSTMENT PROCEDURES

4-1 PREPARATION BEFORE SERVICING

■ REQUIRED TEST EQUIPMENT

EQUIPMENT	GRADE AND RANGE	EQUIPMENT	GRADE AND RANGE
DC power supply	Output voltage : 13.6 V DC Current capacity : 30 A or more	Audio generator	Frequency range : 300–3000 Hz Measuring range : 1–500 mV
RF power meter (terminated type)	Measuring range : 10–200 W Frequency range : 1.8–30 MHz Impedance : 50 Ω SWR : Less than 1.2 : 1	Standard signal generator (SSG)	Frequency range : 0.1–30 MHz Output level : –127 to –17 dBm (0.1 μV–32 mV)
Frequency counter	Frequency range : 0.1–100 MHz Frequency accuracy : ±1 ppm or better Sensitivity : 100 mV or better	Oscilloscope	Frequency range : DC–100 MHz Measuring range : 0.01–10 V
RF voltmeter	Frequency range : 0.1–100 MHz Measuring range : 0.01–10 V	AC millivoltmeter	Measuring range : 10 mV–10 V
DC voltmeter	Input impedance : 50 kΩ/V DC or better	External speaker	Input impedance : 4 Ω Capacity : 6 W or more
Spectrum analyzer	Frequency minimum : At least 90 MHz Spectrum bandwidth : ±100 kHz or more	Attenuator	Power attenuation : 40 or 50 dB Capacity : 150 W or more
		DC ammeter	Measurement capability : 1 A/3 A /50 A
		Electronic load	Input voltage : 13.6 V or more Load current : 10 A or more

• CONNECTIONS



4-2 PLL ADJUSTMENTS

ADJUSTMENT	ADJUSTMENT CONDITION	MEASUREMENT		VALUE	ADJUSTMENT POINT	
		UNIT	LOCATION		UNIT	ADJUST
REFERENCE LOOP LOCK VOLTAGE	1 • Display frequency : 7.9999 MHz • Mode : J3E • Receiving	PLL	Connect a digital multimeter or oscilloscope to check point J3004.	3.2 V	PLL	C3049
	2 • Display frequency : 0.0300 MHz			More than 1.5 V		Verify
MAIN LOOP LOCK VOLTAGE	1 • Display frequency : 0.5000 MHz • Receiving	PLL	Connect a digital multimeter or oscilloscope to check point J3005.	4.0 V	PLL	L3024 [GMDSS] R3223 [Others]
	2 • Display frequency : 29.9999 MHz			More than 1.0 V		Verify
REFERENCE FREQUENCY	1 • Wait for 5 minutes after power ON. • Terminate P3002 on the PLL unit to ground with a 50 Ω resistor. • Receiving	PLL	Connect an RF voltmeter to check point P3002.	Maximum level (More than +2 dBm)	PLL	L3004 L3005
			2	Connect a frequency counter to check point P3002.		60.000000 MHz

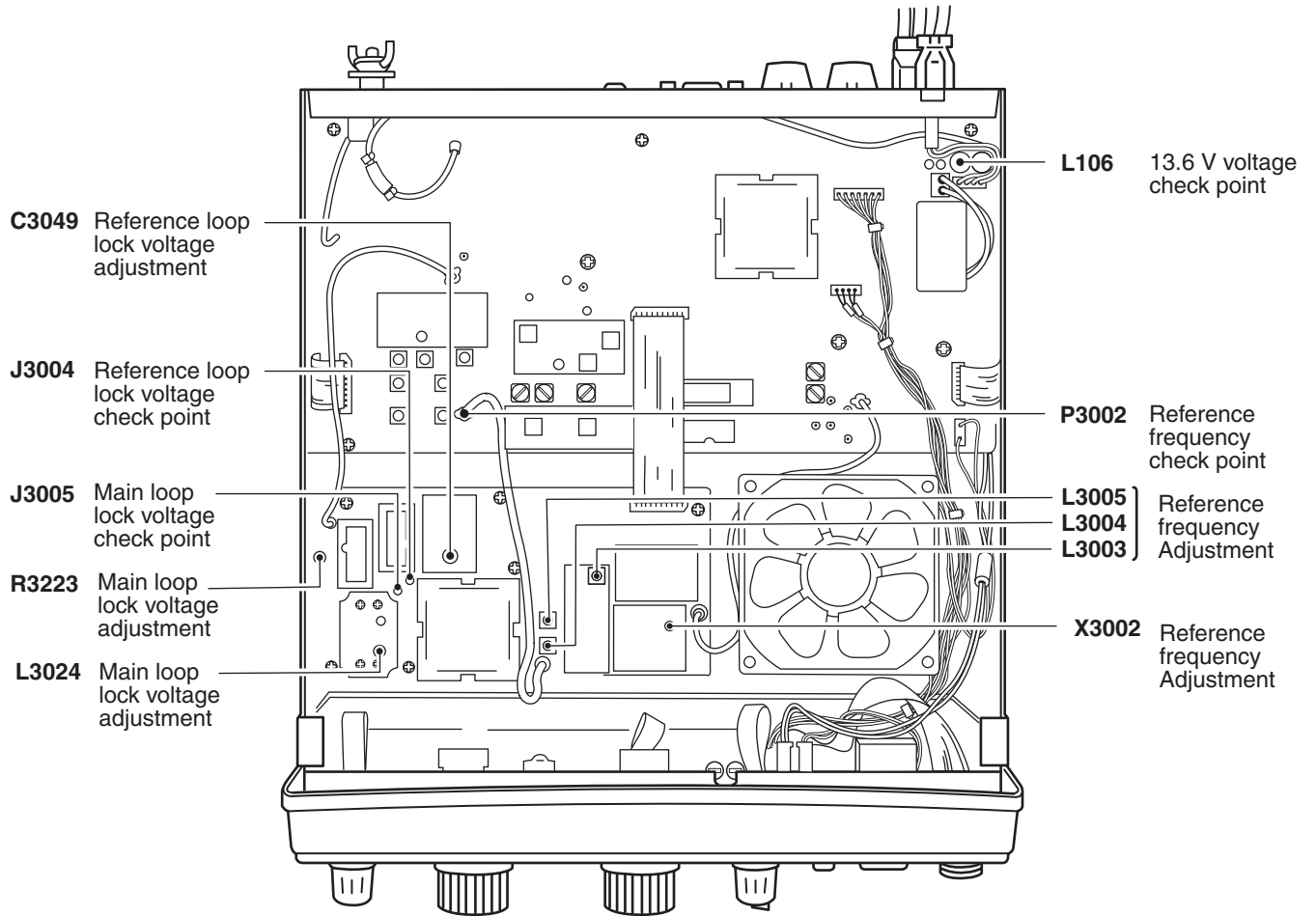
[GMDSS]: [GEN-23], [EUR-22] [Others]: [GEN-21], [GEN-22], [EUR-21]

4-3 POWER VOLTAGE ADJUSTMENT

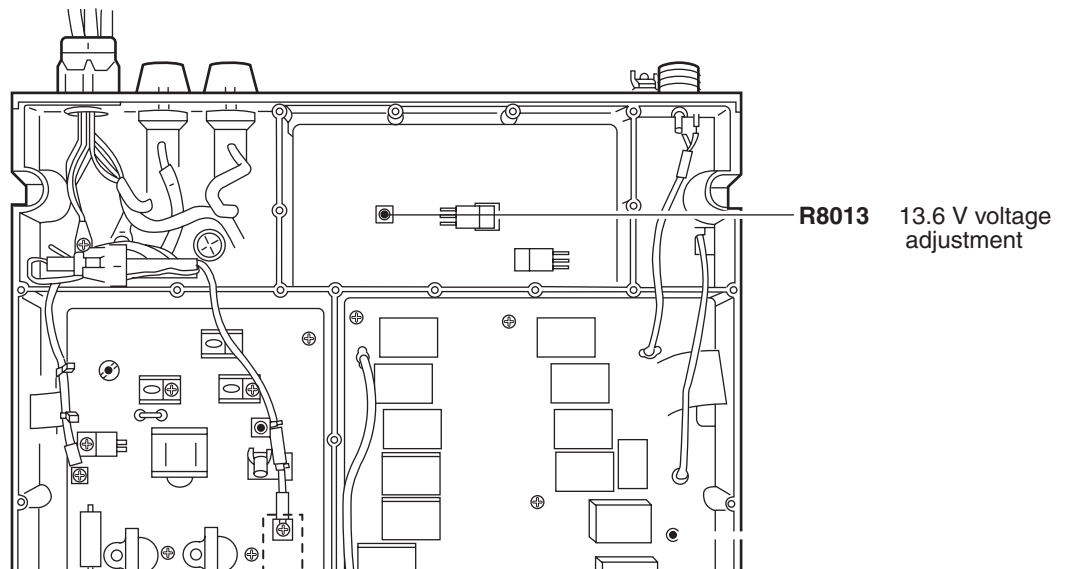
ADJUSTMENT	ADJUSTMENT CONDITION	MEASUREMENT		VALUE	ADJUSTMENT POINT	
		UNIT	LOCATION		UNIT	ADJUST
13.6 V VOLTAGE ([EUR] only)	1 • Turn power ON.	MAIN	Connect a DC voltmeter to L106.	13.6 V	REG	R8013

[EUR]: [EUR-21], [EUR-22]

• MAIN AND PLL UNITS



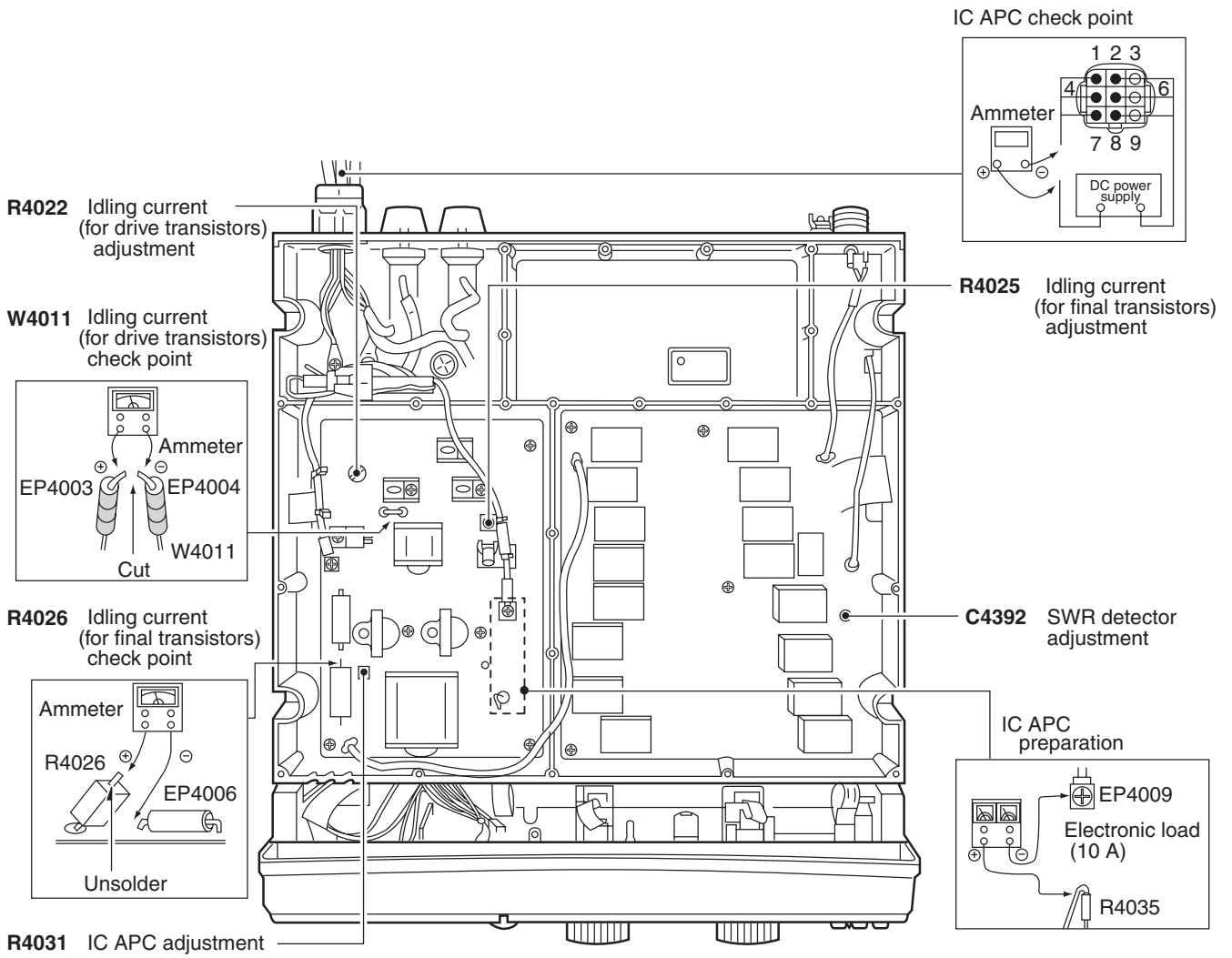
• REG BOARD ([EUR] only)



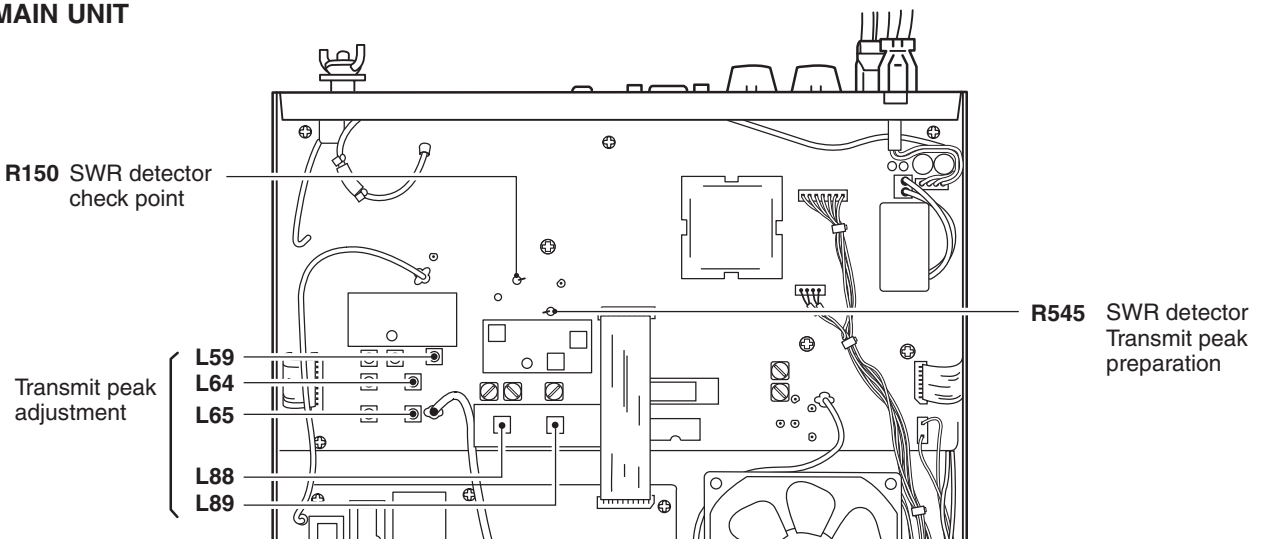
4-4 TRANSMITTER ADJUSTMENTS

ADJUSTMENT	ADJUSTMENT CONDITION	MEASUREMENT		VALUE	ADJUSTMENT POINT		
		UNIT	LOCATION		UNIT	ADJUST	
IDLING CURRENT (For drive transistors)	1	<ul style="list-style-type: none"> • Display frequency : 12.2300 MHz • Mode : J3E • Apply no audio signal to the [MICROPHONE] connector. • Transmitting 	PA150W	Cut the lead wire (W4011) and connect a DC ammeter (1 A) to the cut points.	100 mA	PA150W	R4022
	After adjustment, re-solder the lead wire (W4011) on the PA150W board.						
(For final transistors)	2	<ul style="list-style-type: none"> • Display frequency : 12.2300 MHz • Mode : J3E • Apply no audio signal to the [MICROPHONE] connector. • Transmitting 	PA150W	Unsolder R4026 and connect the DC ammeter (3 A) to the unsoldered points.	500 mA	PA150W	R4025
	After adjustment, re-solder R4026 on the PA150W board.						
IC APC	1	<ul style="list-style-type: none"> • Display frequency : 22.0000 MHz • Mode : J3E • Preset R4031 on the PA150W board to the maximum counter-clockwise position. • Connect an electronic load with 10 A load current (example: KIKUSUI PLZ72W) between lead of R4035 (power line) and EP4009 (ground) on the PA150W board. • Connect an audio generator to the [MICROPHONE] connector and set as: Frequency : 1.5 kHz Level : 100 mV rms • Connect an RF power meter to the [ANT] connector. • Transmitting 	Rear Panel	Connect a DC ammeter (50 A) between the DC power supply and DC power receptacle (DC input +).	30A	PA150W	R4031
	After adjustment, remove the electronic load on the PA150W board..						
SWR DETECTOR	1	<ul style="list-style-type: none"> • Display frequency : 22.0000 MHz • Mode : J3E • Ground the lead of R545 on the MAIN unit with a wire. 	Rear Panel	Connect an RF power meter to the [ANT] connector.	140 W	Audio generator	Output level
	2	<ul style="list-style-type: none"> • Connect an audio generator to the [MICROPHONE] connector and set as: Frequency : 1.5 kHz • Transmitting 	MAIN	Connect a DC voltmeter to R150.	Minimum level	FILTER	C4392
After adjustment, remove the wire from R545 on the MAIN unit.							
TRANSMIT PEAK	1	<ul style="list-style-type: none"> • Display frequency : 12.2300 MHz • Mode : J3E • Ground the lead of R545 on the MAIN unit with a wire. • Connect an audio generator to the [MICROPHONE] connector and set as: Frequency : 1.5 kHz Level : 3 mV • Transmitting 	Rear Panel	Connect an RF power meter to the [ANT] connector.	Maximum output power	MAIN	Adjust in sequence L89, L88, L65, L64, L59
	After adjustment, remove the wire from R545 on the MAIN unit.						

• PA AND FILTER BOARDS



• MAIN UNIT

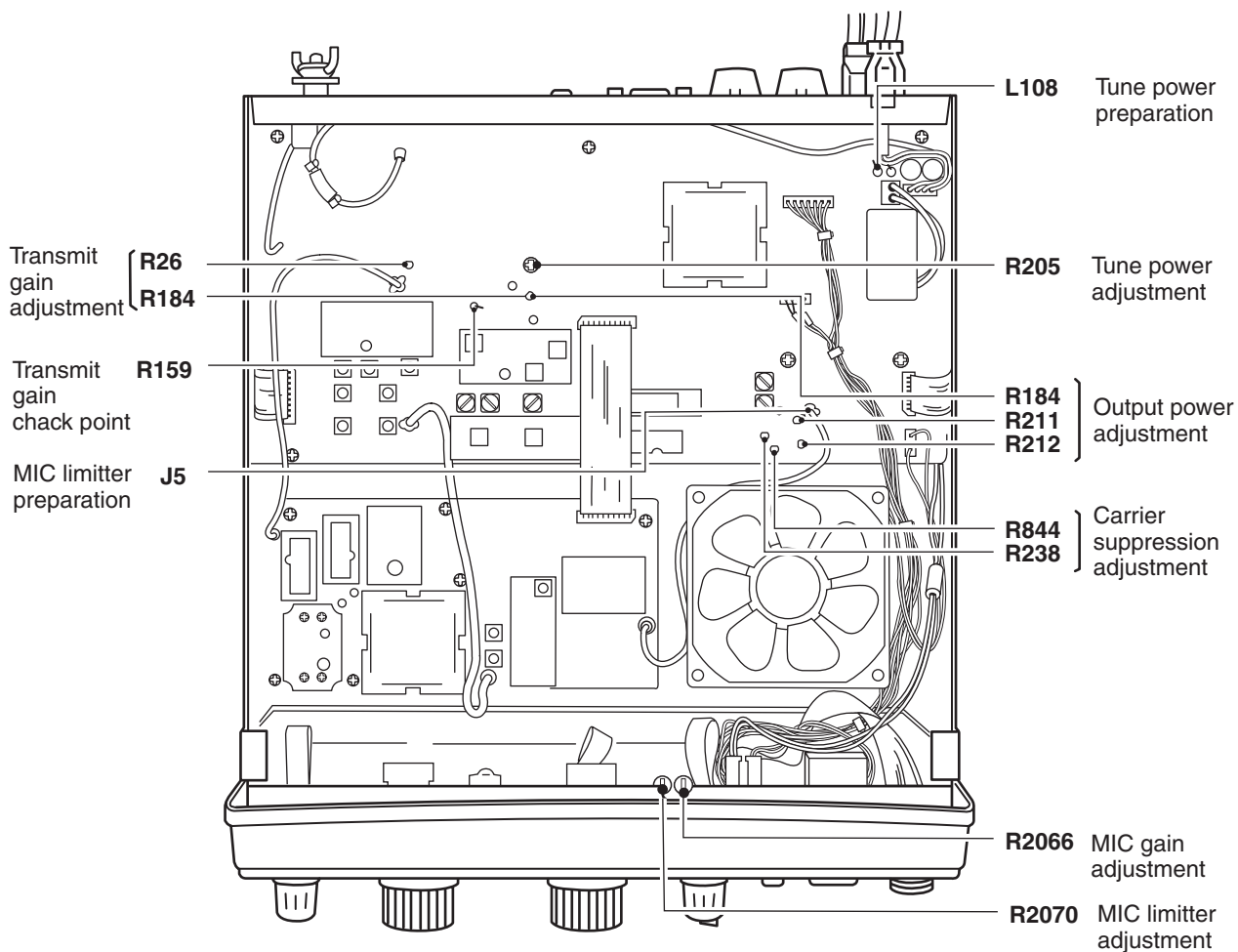


TRANSMITTER ADJUSTMENTS (continued)


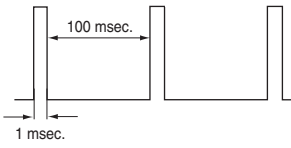
ADJUSTMENT	ADJUSTMENT CONDITION	MEASUREMENT		VALUE	ADJUSTMENT POINT		
		UNIT	LOCATION		UNIT	ADJUST	
TRANSMIT GAIN	1	<ul style="list-style-type: none"> • Display frequency : 12.2300 MHz • Mode : A1A [Others] F1A [GMDSS] • Transmitting 	Rear Panel	Connect an RF power meter to the [ANT] connector.	140 W	MAIN	R184
	2	<ul style="list-style-type: none"> • Display frequency : 16.3650 MHz • Transmitting 	MAIN	Connect a digital multimeter to R159.	0.5 V		R26
OUTPUT POWER	1	<ul style="list-style-type: none"> • Display frequency : 12.2300 MHz • Mode : H3E • Apply no audio signal to the [MICROPHONE] connector. • Transmitting 	Rear Panel	Connect an RF power meter to the [ANT] connector.	45 W	MAIN	R211
	2	<ul style="list-style-type: none"> • Mode : R3E • Transmitting 			2.0 W		R212
	3	<ul style="list-style-type: none"> • Mode : F1B [GMDSS] A1A [Others] • Transmitting 			130 W [GMDSS] 140 W [Others]		R184
CARRIER SUPPRESSION	1	<ul style="list-style-type: none"> • Display frequency : 12.2300 MHz • Mode : J3E • Apply no audio signal to the [MICROPHONE] connector. • Transmitting 	Rear Panel	Connect a spectrum analyzer or RF voltmeter to the [ANT] connector via an attenuator.	Minimum carrier level (Less than -40 dB)	MAIN	Adjust alternately R238, R844
TUNE POWER	1	<ul style="list-style-type: none"> • Display frequency : 12.2300 MHz • Ground the lead of L108 (KEY line) on the MAIN unit with a wire. • Transmitting 	Rear Panel	Connect an RF power meter to the [ANT] connector.	10 W	MAIN	R205
POWER METER	1	<ul style="list-style-type: none"> • While pushing the [SQL] and [TX] switches, turn power ON. • Display frequency : 12.2300 MHz • Mode : J3E • Connect an audio generator to the [MICROPHONE] connector and set as: Frequency : 1.5 kHz Level : 100 mV 	Rear Panel	Connect an RF power meter to the [ANT] connector.	[GEN] versions: 17 W [EUR] versions: 120 W	Audio generator	Output level
	2	<ul style="list-style-type: none"> • Set the transmit power level: [GEN] versions: PO-1 [EUR] versions: PO-3 • Transmitting 			Push the [DIMMER] switch.		
MIC LIMITER for [GMDSS], [EUR]	1	<ul style="list-style-type: none"> • Display frequency : 12.2300 MHz • Mode : J3E • Disconnect the BFO plug (J5) on the MAIN unit. • Connect an audio generator to the [MICROPHONE] connector and set as: Frequency : 1.5 kHz Level : 150 mV • Transmitting 	MAIN	Connect an oscilloscope to R243.	130 mV PEP	LOGIC	R2070
After adjustment, connect the BFO plug to the J5 on the MAIN unit.							
MIC GAIN	1	<ul style="list-style-type: none"> • Display frequency : 12.2300 MHz • Mode : J3E • Connect an audio generator to the [MICROPHONE] connector and set as: Frequency : 1.5 kHz Level : 10 mV • Transmitting 	Rear Panel	Connect an RF meter to the [ANT] connector.	100 W	LOGIC	R2066

[GEN]: [GEN-21], [GEN-22], [GEN-23] [EUR]: [EUR-21], [EUR-22]
[GMDSS]: [GEN-23], [EUR-22]

• MAIN AND LOGIC UNITS

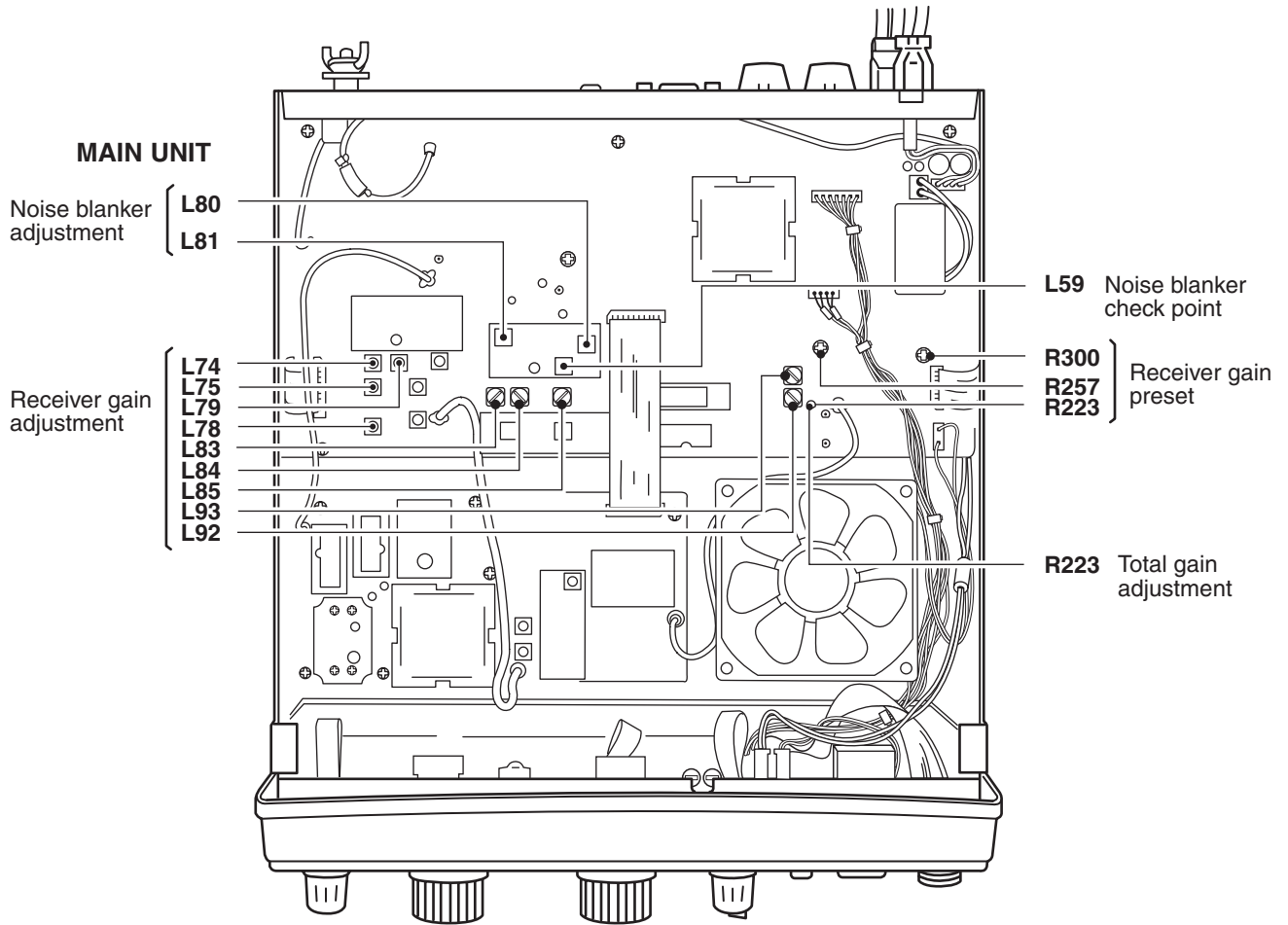


4-5 RECEIVER ADJUSTMENTS

ADJUSTMENT	ADJUSTMENT CONDITION	MEASUREMENT		VALUE	ADJUSTMENT POINT	
		UNIT	LOCATION		UNIT	ADJUST
RECEIVER GAIN	1 <ul style="list-style-type: none"> • Display frequency : 2.1820 MHz • Mode : J3E • Noise blanker : OFF • Squelch : OFF • Speaker : OFF • AGC : ON • RF gain : 9 • R223 (MAIN unit) : Max. clockwise • R257 (MAIN unit) : Center • R300 (MAIN unit) : Center • Connect a standard signal generator to the [ANT] connector and set as: <ul style="list-style-type: none"> Frequency : 2.1835 MHz Level : 0.5 μV* (-113 dBm) Modulation : OFF • Receiving 	Rear Panel	Connect an AC millivoltmeter to the [EXT SP] jack with a 4 Ω dummy load.	Maximum output level	MAIN	Adjust in sequence L74, L75, L78, L79, L83, L84, L85, L92, L93
CLARITY	1 <ul style="list-style-type: none"> • While pushing the [SQL] and [CE] switches, turn power ON. 	Set the [CLARITY] control to the center position and push the [DIMMER] switch.			Front Panel	[CLARITY]
TOTAL GAIN	1 <ul style="list-style-type: none"> • Display frequency : 12.2300 MHz • Mode : J3E • Connect a standard signal generator to the [ANT] connector and set as: <ul style="list-style-type: none"> Frequency : 12.2315 MHz Level : 0.32 mV* (-57 dBm) Modulation : OFF • Receiving 	Rear Panel	Connect an AC millivoltmeter to the [EXT SP] jack with a 4 Ω dummy load.	1.0 V	Front Panel	[VOLUME]
	2 <ul style="list-style-type: none"> • Set the signal generator to OFF (no output). 			-30 dB (32 mV)		
S-METER	1 <ul style="list-style-type: none"> • While pushing the [SQL] and [RX] switches, turn power ON. • Display frequency : 12.2300 MHz • Mode : J3E • Connect a standard signal generator to the [ANT] connector and set as: <ul style="list-style-type: none"> Frequency : 12.2315 MHz Level : 3.2 mV* (-37 dBm) • Receiving 	Function display	S/RF meter	Push the [DIMMER] switch and then verify the 7th dot just appears on the S/RF meter. 	Font Panel	[DIMMER]
NOISE BLANKER	1 <ul style="list-style-type: none"> • Display frequency : 12.2300 MHz • Mode : J3E • Connect a standard signal generator to the [ANT] connector and set as: <ul style="list-style-type: none"> Frequency : 12.2315 MHz Level : 3.2 μV* (-97 dBm) Add the following signal into the signal generator output.  <ul style="list-style-type: none"> • Receiving 	MAIN	Connect an oscilloscope to R59.	Adjust the maximum noise wave displayed on the oscilloscope.	MAIN	L80, L81

*This output level of the standard signal generator (SSG) is indicated as SSG's open circuit.

• MAIN UNIT



SECTION 5 PARTS LIST

[FRONT UNIT]

REF NO.	ORDER NO.	DESCRIPTION	
S2801	2260001580	SWITCH	JPZ2120-0101 (TV-3)
SP2801	2510000441	SPEAKER	F77G08-6205
W2807	8900005340	CABLE	OPC-522 (N:6 L:100)
W2808	8900005340	CABLE	OPC-522 (N:6 L:100)
W2809	8900005370	CABLE	OPC-524 (N:10 L:150)
W2810	8900005340	CABLE	OPC-522 (N:6 L:100)
W2811	8900005340	CABLE	OPC-522 (N:6 L:100)
WS1	8600034520	M.OTHER	SX1632 P2801FR
WS2	8600034530	M.OTHER	SX1632 P2802FR

[LOGIC BOARD]

REF NO.	ORDER NO.	DESCRIPTION	
IC2001	1140006930	S.IC	HD6433834A95F SX-1632SA
IC2002	1140005130	S.IC	HD66100F
IC2003	1110005710	S.IC	S-80842CLUA-B63-T2
IC2005	1180001460	S.IC	μPC78L05T-E1
IC2006	1180001450	S.IC	μPC78L08T-E1
IC2007	1110002550	IC	TA7252AP
IC2008	1110000960	S.IC	NJM4558M-TE1
IC2009	1180000420	S.IC	TA78L05F (TE12R) [GMDSS]
Q2002	1530001970	S.TRANSISTOR	2SC1623-T2B-L6
Q2003	1520000290	TRANSISTOR	2SB1015-Y
Q2005	1530001970	S.TRANSISTOR	2SC1623-T2B-L6
Q2006	1530001970	S.TRANSISTOR	2SC1623-T2B-L6
Q2007	1590001380	S.TRANSISTOR	DTC114EKA T146
Q2008	1590001380	S.TRANSISTOR	DTC114EKA T146
Q2009	1530001970	S.TRANSISTOR	2SC1623-T2B-L6
Q2011	1590001380	S.TRANSISTOR	DTC114EKA T146
Q2012	1590001380	S.TRANSISTOR	DTC114EKA T146
Q2013	1590001380	S.TRANSISTOR	DTC114EKA T146
D2001	1750000020	S.DIODE	1SS184 (TE85R)
D2002	1730000830	S.ZENER	RD9.1M-T2B1
D2003	1750000020	S.DIODE	1SS184 (TE85R)
D2004	1750000020	S.DIODE	1SS184 (TE85R)
D2005	1750000020	S.DIODE	1SS184 (TE85R)
D2006	1750000020	S.DIODE	1SS184 (TE85R)
D2007	1750000020	S.DIODE	1SS184 (TE85R)
D2008	1750000020	S.DIODE	1SS184 (TE85R)
D2009	1750000020	S.DIODE	1SS184 (TE85R)
D2010	1750000020	S.DIODE	1SS184 (TE85R)
X2001	6050009450	XTAL	CR-513 (9.8304 MHz)
L2002	6910000670	COIL	BL01RN1A1D2B
L2003	6910000670	COIL	BL01RN1A1D2B
L2004	6200003260	S.COIL	NL 322522T-101J
L2005	6910000670	COIL	BL01RN1A1D2B
L2006	6200003260	S.COIL	NL 322522T-101J
L2007	6200003260	S.COIL	NL 322522T-101J
L2008	6200003260	S.COIL	NL 322522T-101J
L2009	6200003260	S.COIL	NL 322522T-101J
L2010	6170000140	COIL	LW-15
R2003	7030000520	S.RESISTOR	MCR10EZHZ 15 kΩ
R2005	7030000400	S.RESISTOR	MCR10EZHZ 1.5 kΩ

[LOGIC BOARD]

REF NO.	ORDER NO.	DESCRIPTION	
R2007	7030000430	S.RESISTOR	MCR10EZHZ 2.7 kΩ
R2009	7030000580	S.RESISTOR	MCR10EZHZ 47 kΩ
R2011	7030000580	S.RESISTOR	MCR10EZHZ 47 kΩ
R2012	7030000740	S.RESISTOR	MCR10EZHZ 1 MΩ
R2013	7030000580	S.RESISTOR	MCR10EZHZ 47 kΩ
R2014	7030000580	S.RESISTOR	MCR10EZHZ 47 kΩ
R2015	7030000380	S.RESISTOR	MCR10EZHZ 1 kΩ
R2016	7030000380	S.RESISTOR	MCR10EZHZ 1 kΩ
R2017	7030000620	S.RESISTOR	MCR10EZHZ 100 kΩ
R2018	7030000380	S.RESISTOR	MCR10EZHZ 1 kΩ
R2019	7030000700	S.RESISTOR	MCR10EZHZ 470 kΩ
R2020	7030000660	S.RESISTOR	MCR10EZHZ 220 kΩ
R2021	7030000660	S.RESISTOR	MCR10EZHZ 220 kΩ
R2022	7030000620	S.RESISTOR	MCR10EZHZ 100 kΩ
R2024	7030000010	S.RESISTOR	MCR10EZHZ JPW (000)
R2039	7030000580	S.RESISTOR	MCR10EZHZ 47 kΩ
R2040	7030000560	S.RESISTOR	MCR10EZHZ 33 kΩ
R2041	7030000460	S.RESISTOR	MCR10EZHZ 4.7 kΩ
R2042	7030000580	S.RESISTOR	MCR10EZHZ 47 kΩ
R2043	7030000520	S.RESISTOR	MCR10EZHZ 15 kΩ
R2044	7030000500	S.RESISTOR	MCR10EZHZ 10 kΩ
R2045	7030000500	S.RESISTOR	MCR10EZHZ 10 kΩ
R2046	7030000500	S.RESISTOR	MCR10EZHZ 10 kΩ
R2047	7030000470	S.RESISTOR	MCR10EZHZ 5.6 kΩ
R2048	7030000380	S.RESISTOR	MCR10EZHZ 1 kΩ
R2049	7030000580	S.RESISTOR	MCR10EZHZ 47 kΩ
R2054	7010003241	RESISTOR	PSD1/4V 47 Ω
R2055	7030000500	S.RESISTOR	MCR10EZHZ 10 kΩ
R2056	7030000020	S.RESISTOR	MCR10EZHZ 1 Ω (010)
R2057	7030000380	S.RESISTOR	MCR10EZHZ 1 kΩ
R2058	7010003101	RESISTOR	PSD1/4V 3.3 Ω
R2061	7030000260	S.RESISTOR	MCR10EZHZ 100 Ω (101)
R2062	7030000440	S.RESISTOR	MCR10EZHZ 3.3 kΩ
R2063	7030000300	S.RESISTOR	MCR10EZHZ 220 Ω (221)
R2064	7030000610	S.RESISTOR	MCR10EZHZ 82 kΩ
R2065	7030000620	S.RESISTOR	MCR10EZHZ 100 kΩ
R2066	7310004980	TRIMMER	KVSF639AC 103 10 kΩ
R2067	7030000540	S.RESISTOR	MCR10EZHZ 22 kΩ
R2068	7030000610	S.RESISTOR	MCR10EZHZ 82 kΩ
R2069	7030000380	S.RESISTOR	MCR10EZHZ 1 kΩ
R2070	7310004960	TRIMMER	KVSF639AC 104 100 kΩ
R2071	7030000400	S.RESISTOR	MCR10EZHZ 1.5 kΩ
R2072	7030000360	S.RESISTOR	MCR10EZHZ 680 Ω (681)
R2073	7030000340	S.RESISTOR	MCR10EZHZ 470 Ω (471)
R2077	7030000530	S.RESISTOR	MCR10EZHZ 18 kΩ
R2078	7030000500	S.RESISTOR	MCR10EZHZ 10 kΩ
R2079	7030000530	S.RESISTOR	MCR10EZHZ 18 kΩ
R2080	7030000500	S.RESISTOR	MCR10EZHZ 10 kΩ
R2081	7030000530	S.RESISTOR	MCR10EZHZ 18 kΩ
R2082	7030000500	S.RESISTOR	MCR10EZHZ 10 kΩ
R2083	7030000530	S.RESISTOR	MCR10EZHZ 18 kΩ
R2084	7030000530	S.RESISTOR	MCR10EZHZ 18 kΩ
R2085	7030000580	S.RESISTOR	MCR10EZHZ 47 kΩ
R2086	7030000540	S.RESISTOR	MCR10EZHZ 22 kΩ
R2087	7030000520	S.RESISTOR	MCR10EZHZ 15 kΩ
R2088	7030000580	S.RESISTOR	MCR10EZHZ 47 kΩ
R2090	7030000240	S.RESISTOR	MCR10EZHZ 68 Ω (680) [Others]
C2002	4030004740	S.CERAMIC	C2012 JB 1H 472K-T
C2003	4030004740	S.CERAMIC	C2012 JB 1H 472K-T
C2004	4030004740	S.CERAMIC	C2012 JB 1H 472K-T
C2005	4030004880	S.CERAMIC	C2012 CH 1H 120J-T
C2006	4030004880	S.CERAMIC	C2012 CH 1H 120J-T
C2007	4030004750	S.CERAMIC	C2012 JB 1H 103K-T
C2008	4310000520	MYLAR	50 F2D 224J
C2009	4030004750	S.CERAMIC	C2012 JB 1H 103K-T
C2012	4510005150	ELECTROLYTIC	50 MV 10 HC
C2013	4030004740	S.CERAMIC	C2012 JB 1H 472K-T
C2014	4030004740	S.CERAMIC	C2012 JB 1H 472K-T
C2015	4030004740	S.CERAMIC	C2012 JB 1H 472K-T
C2016	4030004740	S.CERAMIC	C2012 JB 1H 472K-T
C2017	4030004740	S.CERAMIC	C2012 JB 1H 472K-T
C2018	4030004740	S.CERAMIC	C2012 JB 1H 472K-T
C2019	4030004740	S.CERAMIC	C2012 JB 1H 472K-T

[GEN]: [GEN-21], [GEN-22], [GEN-23] [EUR]: [EUR-21], [EUR-22]

[GMDSS]: [GEN-23], [EUR-22] [Others]: [GEN-21], [GEN-22], [EUR-21]

S.=Surface mount

[LOGIC BOARD]

REF NO.	ORDER NO.	DESCRIPTION	
C2020	4510004600	ELECTROLYTIC	16 MV 1000 HC
C2021	4030004740	S.CERAMIC	C2012 JB 1H 472K-T
C2022	4510007480	ELECTROLYTIC	16 MV 470 CA
C2023	4030008960	S.CERAMIC	C2012 JB 1C 104K-T
C2024	4510005120	ELECTROLYTIC	16 MV 47 HC
C2025	4510004990	ELECTROLYTIC	16 MV 100 HC
C2026	4510005120	ELECTROLYTIC	16 MV 47 HC
C2027	4030004740	S.CERAMIC	C2012 JB 1H 472K-T
C2028	4510008400	ELECTROLYTIC	25 MV 22 HC
C2029	4510008400	ELECTROLYTIC	25 MV 22 HC
C2030	4030004740	S.CERAMIC	C2012 JB 1H 472K-T
C2031	4510005490	ELECTROLYTIC	50 MV 2R2 HC
C2032	4510005480	ELECTROLYTIC	50 MV 1 HC
C2033	4510005480	ELECTROLYTIC	50 MV 1 HC
C2034	4510008410	ELECTROLYTIC	25 MV 4R7 HC
C2035	4510008410	ELECTROLYTIC	25 MV 4R7 HC
C2036	4510005120	ELECTROLYTIC	16 MV 47 HC
C2037	4510008410	ELECTROLYTIC	25 MV 4R7 HC
C2038	4510005500	ELECTROLYTIC	16 MV 10 HC
C2039	4030004740	S.CERAMIC	C2012 JB 1H 472K-T
C2040	4510005120	ELECTROLYTIC	16 MV 47 HC
C2041	4030004740	S.CERAMIC	C2012 JB 1H 472K-T
C2042	4510005120	ELECTROLYTIC	16 MV 47 HC
C2043	4030004740	S.CERAMIC	C2012 JB 1H 472K-T
C2044	4510005500	ELECTROLYTIC	16 MV 10 HC
C2049	4030008960	S.CERAMIC	C2012 JB 1C 104K-T
C2050	4030008960	S.CERAMIC	C2012 JB 1C 104K-T
C2051	4510008400	ELECTROLYTIC	25 MV 22 HC
C2052	4030004740	S.CERAMIC	C2012 JB 1H 472K-T
C2053	4030004740	S.CERAMIC	C2012 JB 1H 472K-T
C2054	4510005120	ELECTROLYTIC	16 MV 47 HC
C2060	4310000480	MYLAR	50 F2D 104J
RL2001	6330001330	RELAY	AG 201344
J2007	6510003390	CONNECTOR	B03B-EH-S
J2008	6510018381	CONNECTOR	10FE-BT-VK-N
J2009	6510018391	CONNECTOR	06FE-BT-VK-N
J2010	6510018391	CONNECTOR	06FE-BT-VK-N
J2011	6510018391	CONNECTOR	06FE-BT-VK-N
J2012	6510018391	CONNECTOR	06FE-BT-VK-N
J2013	6510010020	CONNECTOR	RTB-1.5-2F
J2014	6510010020	CONNECTOR	RTB-1.5-2F
J2016	6510003400	CONNECTOR	B04B-EH-S
DS2001	5080000305	LAMP	HRT-3290A-F
DS2002	5080000305	LAMP	HRT-3290A-F
DS2003	5080000305	LAMP	HRT-3290A-F
DS2004	5010000180	LCD	DLC-7978P
DS2005	5080000150	LAMP	HRS-7219A
S2003	2260002230	SWITCH	SW-158 (SKHHPM)
S2004	2260002230	SWITCH	SW-158 (SKHHPM)
S2005	2260002230	SWITCH	SW-158 (SKHHPM)
S2006	2260002230	SWITCH	SW-158 (SKHHPM)
S2007	2260002230	SWITCH	SW-158 (SKHHPM)
S2008	2260002230	SWITCH	SW-158 (SKHHPM)
S2009	2260002230	SWITCH	SW-158 (SKHHPM)
S2010	2260002230	SWITCH	SW-158 (SKHHPM)
S2011	2260002230	SWITCH	SW-158 (SKHHPM)
S2012	2260002230	SWITCH	SW-158 (SKHHPM)
S2013	2260002230	SWITCH	SW-158 (SKHHPM)
S2014	2260002230	SWITCH	SW-158 (SKHHPM)
S2015	2260002230	SWITCH	SW-158 (SKHHPM)
S2016	2260002230	SWITCH	SW-158 (SKHHPM)
S2017	2260002230	SWITCH	SW-158 (SKHHPM)
S2018	2260002230	SWITCH	SW-158 (SKHHPM)
S2019	2260002230	SWITCH	SW-158 (SKHHPM)
S2020	2260002230	SWITCH	SW-158 (SKHHPM)
S2021	2260002230	SWITCH	SW-158 (SKHHPM)
S2022	2260002230	SWITCH	SW-158 (SKHHPM)
S2023	2260002230	SWITCH	SW-158 (SKHHPM)
S2024	2260002230	SWITCH	SW-158 (SKHHPM)
S2025	2260002230	SWITCH	SW-158 (SKHHPM)
S2026	2260002230	SWITCH	SW-158 (SKHHPM)
S2027	2260002230	SWITCH	SW-158 (SKHHPM)
W2012	7030000010	S.RESISTOR	MCR10EZHZ JPW (000)
W2013	7030000010	S.RESISTOR	MCR10EZHZ JPW (000)

[LOGIC BOARD]

REF NO.	ORDER NO.	DESCRIPTION	
W2014	7030000010	S.RESISTOR	MCR10EZHZ JPW (000)
W2015	7030000010	S.RESISTOR	MCR10EZHZ JPW (000)
W2018	7030000010	S.RESISTOR	MCR10EZHZ JPW (000)
W2019	7030000010	S.RESISTOR	MCR10EZHZ JPW (000)
WS1	8600034540	M.OTHER	SX1632 P2002*J2002L0
WS2	8600034550	M.OTHER	SX1632 P2003*J2003L0
WS3	8600036420	M.OTHER	SX1632 P2004L0
	8970023230	M.OTHER	SX1632 LEAD SET
EP2001	0910045067	PCB	B 4252G

[SENSOR1 BOARD]

REF NO.	ORDER NO.	DESCRIPTION	
J2601	6510018391	CONNECTOR	06FE-BT-VK-N
S2601	2250000020	ENCODER	SRB18100 25KC
EP2601	0910044811	PCB	B 4366A

[SENSOR2 BOARD]

REF NO.	ORDER NO.	DESCRIPTION	
J2701	6510018391	CONNECTOR	06FE-BT-VK-N
S2701	2250000020	ENCODER	SRB18100 25KC
EP2701	0910044811	PCB	B 4366A

[MAIN UNIT]

REF NO.	ORDER NO.	DESCRIPTION	
IC4	1160000130	S.IC	TD62783AF (S,EL)
IC5	1160000130	S.IC	TD62783AF (S,EL)
IC6	1160000130	S.IC	TD62783AF (S,EL)
IC8	1110003140	IC	LA1150N
IC9	1110004840	S.IC	NJM1496V-TE1
IC10	1110004840	S.IC	NJM1496V-TE1
IC11	1130011190	S.IC	BU4011BF-E2
IC12	1140003830	S.IC	TC4W66F (TE12L)
IC16	1110000960	S.IC	NJM4558M-TE1
IC17	1110000960	S.IC	NJM4558M-TE1
IC18	1110000960	S.IC	NJM4558M-TE1
IC19	1110000960	S.IC	NJM4558M-TE1
IC20	1110000960	S.IC	NJM4558M-TE1
IC21	1110000960	S.IC	NJM4558M-TE1
IC22	1130011170	S.IC	BU4001BF-E2
IC23	1110001400	S.IC	µPC1555G2-T1
IC24	1180001250	S.IC	TA7808F (TE16L)
IC27	1170000280	S.IC	TLP121 (GB-TPL)
IC31	1130008630	S.IC	MC14028BF-EL
IC32	1130003760	S.IC	TC4S81F (TE85R)
IC33	1130003760	S.IC	TC4S81F (TE85R)
IC34	1130011200	S.IC	BU4069UBF-E2
IC35	1130008650	S.IC	MC14071BF-EL
IC36	1110003300	S.IC	M5282FP 70CD

[GEN]: [GEN-21], [GEN-22], [GEN-23] [EUR]: [EUR-21], [EUR-22]

[GMDSS]: [GEN-23], [EUR-22] [Others]: [GEN-21], [GEN-22], [EUR-21]

S.=Surface mount

[MAIN UNIT]

REF NO.	ORDER NO.	DESCRIPTION	
IC38	1140003830	S.IC	TC4W66F (TE12L)
IC39	1140003830	S.IC	TC4W66F (TE12L)
IC131	1180000420	S.IC	TA78L05F (TE12R)
IC132	1140006940	S.IC	HD6433378B26F SX-1632A
IC133	1110005710	S.IC	S-80842CLUA-B63-T2
IC134	1130007290	S.IC	24LC16BT-I/SN
IC135	1130007290	S.IC	24LC16BT-I/SN
Q1	1530003150	S.TRANSISTOR	2SC4673D-TD
Q2	1580000620	S.FET	3SK131-T2 MAS
Q3	1580000620	S.FET	3SK131-T2 MAS
Q4	1580000620	S.FET	3SK131-T2 MAS
Q5	1530003150	S.TRANSISTOR	2SC4673D-TD
Q6	1560000720	S.FET	2SK2171-4-TD
Q7	1560000720	S.FET	2SK2171-4-TD
Q8	1580000620	S.FET	3SK131-T2 MAS
Q9	1560000330	S.FET	2SK210-GR (TE85R)
Q10	1510000770	S.TRANSISTOR	2SA1586-GR (TE85R)
Q11	1530002690	S.TRANSISTOR	2SC4116-GR (TE85R)
Q12	1530002690	S.TRANSISTOR	2SC4116-GR (TE85R)
Q13	1530002690	S.TRANSISTOR	2SC4116-GR (TE85R)
Q14	1590001330	S.TRANSISTOR	DTA114EUA T106
Q15	1590000680	S.TRANSISTOR	DTC114EUA T106
Q16	1580000620	S.FET	3SK131-T2 MAS
Q17	1540000440	S.TRANSISTOR	2SD1619-TD
Q18	1530002690	S.TRANSISTOR	2SC4116-GR (TE85R)
Q19	1580000620	S.FET	3SK131-T2 MAS
Q20	1590000680	S.TRANSISTOR	DTC114EUA T106
Q21	1590000680	S.TRANSISTOR	DTC114EUA T106
Q22	1590000680	S.TRANSISTOR	DTC114EUA T106
Q23	1530002690	S.TRANSISTOR	2SC4116-GR (TE85R)
Q24	1590000680	S.TRANSISTOR	DTC114EUA T106
Q25	1590000680	S.TRANSISTOR	DTC114EUA T106
Q26	1510000770	S.TRANSISTOR	2SA1586-GR (TE85R)
Q27	1530002690	S.TRANSISTOR	2SC4116-GR (TE85R)
Q28	1590000680	S.TRANSISTOR	DTC114EUA T106
Q30	1530002690	S.TRANSISTOR	2SC4116-GR (TE85R)
Q31	1530003090	S.TRANSISTOR	2SC4213-B (TE85R)
Q32	1580000620	S.FET	3SK131-T2 MAS
Q33	1580000620	S.FET	3SK131-T2 MAS
Q34	1530002690	S.TRANSISTOR	2SC4116-GR (TE85R)
Q35	1590000680	S.TRANSISTOR	DTC114EUA T106
Q36	1590001330	S.TRANSISTOR	DTA114EUA T106
Q40	1590000680	S.TRANSISTOR	DTC114EUA T106
Q41	1530003090	S.TRANSISTOR	2SC4213-B (TE85R)
Q42	1590000680	S.TRANSISTOR	DTC114EUA T106
Q43	1590000680	S.TRANSISTOR	DTC114EUA T106
Q44	1590001330	S.TRANSISTOR	DTA114EUA T106
Q45	1530002690	S.TRANSISTOR	2SC4116-GR (TE85R)
Q46	1590000680	S.TRANSISTOR	DTC114EUA T106
Q52	1530002690	S.TRANSISTOR	2SC4116-GR (TE85R)
Q54	1540000440	S.TRANSISTOR	2SD1619-TD
Q55	1590000680	S.TRANSISTOR	DTC114EUA T106
Q56	1590000680	S.TRANSISTOR	DTC114EUA T106
Q57	1530002690	S.TRANSISTOR	2SC4116-GR (TE85R)
Q58	1530003300	S.TRANSISTOR	2SC3647S-TD
Q59	1530002690	S.TRANSISTOR	2SC4116-GR (TE85R)
Q60	1530002690	S.TRANSISTOR	2SC4116-GR (TE85R)
Q61	1540000440	S.TRANSISTOR	2SD1619-TD
Q62	1540000440	S.TRANSISTOR	2SD1619-TD
Q64	1530002690	S.TRANSISTOR	2SC4116-GR (TE85R)
Q65	1590000680	S.TRANSISTOR	DTC114EUA T106
Q69	1590000680	S.TRANSISTOR	DTC114EUA T106
Q70	1530002690	S.TRANSISTOR	2SC4116-GR (TE85R)
Q71	1590001330	S.TRANSISTOR	DTA114EUA T106
Q72	1590000680	S.TRANSISTOR	DTC114EUA T106
Q74	1590001330	S.TRANSISTOR	DTA114EUA T106
Q78	1530002690	S.TRANSISTOR	2SC4116-GR (TE85R)
Q79	1590000680	S.TRANSISTOR	DTC114EUA T106
Q80	1590000680	S.TRANSISTOR	DTC114EUA T106
Q82	1530002690	S.TRANSISTOR	2SC4116-GR (TE85R)
Q83	1590000680	S.TRANSISTOR	DTC114EUA T106
Q84	1590000680	S.TRANSISTOR	DTC114EUA T106
Q101	1510000770	S.TRANSISTOR	2SA1586-GR (TE85R)
Q102	1590000680	S.TRANSISTOR	DTC114EUA T106
Q103	1530002690	S.TRANSISTOR	2SC4116-GR (TE85R)
Q104	1530002690	S.TRANSISTOR	2SC4116-GR (TE85R)
Q106	1510000770	S.TRANSISTOR	2SA1586-GR (TE85R)
Q111	1510000770	S.TRANSISTOR	2SA1586-GR (TE85R)
Q113	1530002690	S.TRANSISTOR	2SC4116-GR (TE85R)
Q114	1530002690	S.TRANSISTOR	2SC4116-GR (TE85R)

[MAIN UNIT]

REF NO.	ORDER NO.	DESCRIPTION	
Q115	1590000680	S.TRANSISTOR	DTC114EUA T106
Q118	1530002690	S.TRANSISTOR	2SC4116-GR (TE85R) [GMDSS]
Q119	1530002690	S.TRANSISTOR	2SC4116-GR (TE85R)
Q122	1590000680	S.TRANSISTOR	DTC114EUA T106
Q123	1590000680	S.TRANSISTOR	DTC114EUA T106
Q124	1590000680	S.TRANSISTOR	DTC114EUA T106
Q125	1590000680	S.TRANSISTOR	DTC114EUA T106
Q126	1560000330	S.FET	2SK210-GR (TE85R)
Q128	1530002690	S.TRANSISTOR	2SC4116-GR (TE85R)
Q129	1590000680	S.TRANSISTOR	DTC114EUA T106
Q130	1590001330	S.TRANSISTOR	DTA114EUA T106
Q131	1530002690	S.TRANSISTOR	2SC4116-GR (TE85R)
Q132	1590000680	S.TRANSISTOR	DTC114EUA T106
Q135	1590001330	S.TRANSISTOR	DTA114EUA T106
Q137	1530002690	S.TRANSISTOR	2SC4116-GR (TE85R)
Q138	1540000440	S.TRANSISTOR	2SD1619-TD
Q139	1530002690	S.TRANSISTOR	2SC4116-GR (TE85R)
Q140	1590000680	S.TRANSISTOR	DTC114EUA T106
D1	1790000450	S.DIODE	MA862 (TX)
D2	1790000450	S.DIODE	MA862 (TX)
D3	1790000620	S.DIODE	MA77 (TX)
D4	1790000620	S.DIODE	MA77 (TX)
D5	1790000450	S.DIODE	MA862 (TX)
D6	1790000450	S.DIODE	MA862 (TX)
D7	1790000450	S.DIODE	MA862 (TX)
D8	1790000450	S.DIODE	MA862 (TX)
D9	1790000450	S.DIODE	MA862 (TX)
D10	1790000450	S.DIODE	MA862 (TX)
D11	1790000450	S.DIODE	MA862 (TX)
D12	1790000450	S.DIODE	MA862 (TX)
D13	1790000450	S.DIODE	MA862 (TX)
D14	1790000450	S.DIODE	MA862 (TX)
D15	1790000450	S.DIODE	MA862 (TX)
D16	1790000450	S.DIODE	MA862 (TX)
D17	1790000690	S.DIODE	HSM88ASR-TR
D18	1790000620	S.DIODE	MA77 (TX)
D19	1710001020	DIODE	XB15A204
D20	1750000270	S.DIODE	1SS301 (TE85R)
D21	1790000450	S.DIODE	MA862 (TX)
D22	1790000450	S.DIODE	MA862 (TX)
D23	1790000450	S.DIODE	MA862 (TX)
D24	1790000450	S.DIODE	MA862 (TX)
D25	1790000450	S.DIODE	MA862 (TX)
D26	1790000450	S.DIODE	MA862 (TX)
D27	1750000270	S.DIODE	1SS301 (TE85R)
D28	1750000270	S.DIODE	1SS301 (TE85R)
D30	1790000450	S.DIODE	MA862 (TX)
D31	1790000690	S.DIODE	HSM88ASR-TR
D32	1750000520	S.DIODE	DAN222TL
D33	1790000450	S.DIODE	MA862 (TX)
D34	1750000520	S.DIODE	DAN222TL
D35	1750000270	S.DIODE	1SS301 (TE85R)
D36	1750000270	S.DIODE	1SS301 (TE85R)
D37	1750000270	S.DIODE	1SS301 (TE85R)
D38	1730000120	ZENER	RD6.2E B2
D39	1790000690	S.DIODE	HSM88ASR-TR
D40	1750000300	S.DIODE	1SS302 (TE85R)
D41	1750000270	S.DIODE	1SS301 (TE85R)
D42	1750000270	S.DIODE	1SS301 (TE85R)
D43	1750000270	S.DIODE	1SS301 (TE85R)
D45	1750000270	S.DIODE	1SS301 (TE85R)
D46	1790000690	S.DIODE	HSM88ASR-TR
D47	1750000270	S.DIODE	1SS301 (TE85R)
D48	1750000270	S.DIODE	1SS301 (TE85R)
D49	1790000450	S.DIODE	MA862 (TX)
D50	1750000520	S.DIODE	DAN222TL
D51	1790000450	S.DIODE	MA862 (TX)
D52	1790000890	S.DIODE	ND433G [EUR]
D53	1750000270	S.DIODE	1SS301 (TE85R)
D59	1750000270	S.DIODE	1SS302 (TE85R)
D60	1750000270	S.DIODE	1SS301 (TE85R)
D61	1750000270	S.DIODE	1SS301 (TE85R)
D62	1750000270	S.DIODE	1SS301 (TE85R)
D63	1750000270	S.DIODE	1SS301 (TE85R)
D65	1750000270	S.DIODE	1SS301 (TE85R)
D66	1750000270	S.DIODE	1SS301 (TE85R)
D68	1750000270	S.DIODE	1SS301 (TE85R)
D69	1750000300	S.DIODE	1SS302 (TE85R)
D70	1750000300	S.DIODE	1SS302 (TE85R)
D73	1730000210	ZENER	RD9.1E B3

[GEN]: [GEN-21], [GEN-22], [GEN-23] [EUR]: [EUR-21], [EUR-22]
 [GMDSS]: [GEN-23], [EUR-22] [Others]: [GEN-21], [GEN-22], [EUR-21]

S.=Surface mount

[MAIN UNIT]

REF NO.	ORDER NO.	DESCRIPTION	
D74	1730000100	ZENER	RD5.1E B2
D75	1750000300	S.DIODE	1SS302 (TE85R)
D76	1750000300	S.DIODE	1SS302 (TE85R)
D79	1750000270	S.DIODE	1SS301 (TE85R)
D88	1790000690	S.DIODE	HSM88ASR-TR
D89	1750000270	S.DIODE	1SS301 (TE85R)
D90	1750000270	S.DIODE	1SS301 (TE85R)
D97	1750000270	S.DIODE	1SS301 (TE85R)
D98	1750000270	S.DIODE	1SS301 (TE85R)
D99	1790000450	S.DIODE	MA862 (TX)
D100	1750000300	S.DIODE	1SS302 (TE85R)
D101	1750000300	S.DIODE	1SS302 (TE85R)
D102	1750000270	S.DIODE	1SS301 (TE85R)
D103	1750000270	S.DIODE	1SS301 (TE85R)
D201	1710000160	DIODE	1SS133
D202	1710000160	DIODE	1SS133
D203	1710000160	DIODE	1SS133
D204	1710000160	DIODE	1SS133
D205	1710000160	DIODE	1SS133
D206	1710000160	DIODE	1SS133
D207	1710000160	DIODE	1SS133
D209	1750000270	S.DIODE	1SS301 (TE85R)
D210	1750000270	S.DIODE	1SS301 (TE85R)
D211	1750000270	S.DIODE	1SS301 (TE85R)
D212	1750000270	S.DIODE	1SS301 (TE85R)
D213	1750000300	S.DIODE	1SS302 (TE85R)
D214	1750000300	S.DIODE	1SS302 (TE85R)
D215	1750000300	S.DIODE	1SS302 (TE85R)
D217	1750000270	S.DIODE	1SS301 (TE85R)
D218	1750000300	S.DIODE	1SS302 (TE85R)
D220	1730000250	ZENER	RD12E B2
D222	1750000270	S.DIODE	1SS301 (TE85R)
D223	1750000270	S.DIODE	1SS301 (TE85R)
D224	1730000500	ZENER	RD13E B2
D225	1750000270	S.DIODE	1SS301 (TE85R)
D226	1750000270	S.DIODE	1SS301 (TE85R)
D227	1750000270	S.DIODE	1SS301 (TE85R)
D228	1750000270	S.DIODE	1SS301 (TE85R)
D235	1750000810	S.DIODE	UM9957F/TR
D236	1750000810	S.DIODE	UM9957F/TR
D241	1790001240	S.DIODE	MA2S728-(TX)
D242	1790001240	S.DIODE	MA2S728-(TX)
D243	1730002360	S.ZENER	MA8062-M (TX)
D244	1710000160	DIODE	1SS133
F11	2010001010	FILTER	69M15B (FL-120)
F12	2010000320	FILTER	9M22D2 (FL-30)
	2010000600	FILTER	9M26F (FL-80)
F13	2010000950	FILTER	9M 6A1 (FL-116)
F14	2010000950	FILTER	9M 6A1 (FL-116)
F15	2010001860	FILTER	FL-232 (9.010600 MHz)
X2	6050009660	S.XTAL	MA-406 (9.8304 MHz)
L1	6140000060	COIL	LR-18
L2	6180002480	COIL	LAL 03NA 820K
L3	6200002960	S.COIL	NL 322522T-4R7J-3
L4	6200003100	S.COIL	NL 322522T-3R9J-3
L7	6200003260	S.COIL	NL 322522T-101J
L8	6200002960	S.COIL	NL 322522T-4R7J-3
L9	6200003320	S.COIL	NL 322522T-3R3J-3
L10	6200003100	S.COIL	NL 322522T-3R9J-3
L11	6200001850	S.COIL	NL 322522T-5R6J
L12	6200003260	S.COIL	NL 322522T-101J
L13	6200002990	S.COIL	NL 322522T-2R2J-3
L14	6200002990	S.COIL	NL 322522T-2R2J-3
L15	6200002990	S.COIL	NL 322522T-2R2J-3
L16	6200003080	S.COIL	NL 322522T-1R8J-3
L17	6200003260	S.COIL	NL 322522T-101J
L18	6200003070	S.COIL	NL 322522T-1R5J-3
L19	6200003070	S.COIL	NL 322522T-1R5J-3
L20	6200003080	S.COIL	NL 322522T-1R8J-3
L21	6200003060	S.COIL	NL 322522T-1R2J-3
L22	6200003260	S.COIL	NL 322522T-101J
L23	6200001720	S.COIL	NL 322522T-1R0J
L24	6200001720	S.COIL	NL 322522T-1R0J
L25	6200001720	S.COIL	NL 322522T-1R0J
L26	6200003050	S.COIL	NL 322522T-R82J-3
L27	6200003260	S.COIL	NL 322522T-101J

[EUR]

[GEN]

[EUR]

[GMDSS]

[MAIN UNIT]

REF NO.	ORDER NO.	DESCRIPTION	
L28	6200003050	S.COIL	NL 322522T-R82J-3
L29	6200003040	S.COIL	NL 322522T-R68J-3
L30	6200003040	S.COIL	NL 322522T-R68J-3
L31	6200003040	S.COIL	NL 322522T-R68J-3
L32	6200003260	S.COIL	NL 322522T-101J
L33	6200003040	S.COIL	NL 322522T-R68J-3
L34	6200003030	S.COIL	NL 322522T-R47J-3
L35	6200003030	S.COIL	NL 322522T-R47J-3
L36	6200002980	S.COIL	NL 322522T-R56J-3
L37	6200003260	S.COIL	NL 322522T-101J
L38	6200003030	S.COIL	NL 322522T-R47J-3
L39	6200003250	S.COIL	NL 322522T-R39J-3
L40	6200003250	S.COIL	NL 322522T-R39J-3
L41	6200003250	S.COIL	NL 322522T-R39J-3
L42	6200003260	S.COIL	NL 322522T-101J
L43	6200003020	S.COIL	NL 322522T-R33J-3
L44	6200003010	S.COIL	NL 322522T-R27J-3
L45	6200003010	S.COIL	NL 322522T-R27J-3
L46	6200003020	S.COIL	NL 322522T-R33J-3
L49	6200001850	S.COIL	NL 322522T-5R6J
L50	6200002960	S.COIL	NL 322522T-4R7J-3
L51	6180001710	COIL	LAL 03NA 561K
L52	6140002060	COIL	LR-225 (RIB3X6.5X3 3A6)
L53	6180001710	COIL	LAL 03NA 561K
L54	6200003260	S.COIL	NL 322522T-101J
L55	6200001720	S.COIL	NL 322522T-1R0J
L56	6200003040	S.COIL	NL 322522T-R68J-3
L57	6200003260	S.COIL	NL 322522T-101J
L58	6140002220	COIL	LR-270 (TR6X3X2 3A9)
L59	6150004270	COIL	LS-483A (C-14924)
L60	6140000930	COIL	LR-116
L61	6200001830	S.COIL	NL 322522T-100J
L62	6200003020	S.COIL	NL 322522T-R33J-3
L63	6200003000	S.COIL	NL 322522T-R22J-3
L64	6150004280	COIL	LS-484B (C-14927)
L65	6150004280	COIL	LS-484B (C-14927)
L66	6140002060	COIL	LR-225 (RIB3X6.5X3 3A6)
L67	6140002060	COIL	LR-225 (RIB3X6.5X3 3A6)
L69	6200003060	S.COIL	NL 322522T-1R2J-3
L70	6200003060	S.COIL	NL 322522T-1R2J-3
L71	6200003000	S.COIL	NL 322522T-R22J-3
L72	6200003010	S.COIL	NL 322522T-R27J-3
L73	6140000930	COIL	LR-116
L74	6150004270	COIL	LS-483A (C-14924)
L75	6150002430	COIL	LS-254
L76	6110001620	COIL	LA-245
L77	6200001830	S.COIL	NL 322522T-100J
L78	6150004280	COIL	LS-484B (C-14927)
L79	6150004250	COIL	LS-471A (C-14922)
L80	6150004050	COIL	LS-466
L81	6150004050	COIL	LS-466
L82	6200003260	S.COIL	NL 322522T-101J
L83	6150004310	COIL	LS-487A (C-14930)
L84	6150004290	COIL	LS-485A (C-14928)
L85	6150004290	COIL	LS-485A (C-14928)
L86	6200001830	S.COIL	NL 322522T-100J
L87	6140001600	COIL	LR-178
L88	6150001590	COIL	LS-175
L89	6150001590	COIL	LS-175
L90	6200003140	S.COIL	NL 322522T-150J
L91	6200003140	S.COIL	NL 322522T-150J
L92	6150004430	COIL	LS-501 (C-14872)
L93	6150004300	COIL	LS-486A (C-14929)
L94	2040000490	COIL	EXC-ELDR25C
L95	6180000960	COIL	LAL 03NA 102K
L96	6180000960	COIL	LAL 03NA 102K
L100	6200003090	S.COIL	NL 322522T-2R7J-3
L101	2040000490	COIL	EXC-ELDR25C
L102	2040000490	COIL	EXC-ELDR25C
L103	2040000490	COIL	EXC-ELDR25C
L104	2040000490	COIL	EXC-ELDR25C
L105	6910003570	COIL	2943-666663
L106	6910003570	COIL	2943-666663
L107	6180001710	COIL	LAL 03NA 561K
L108	6180001710	COIL	LAL 03NA 561K
L115	6200003260	S.COIL	NL 322522T-101J
L116	6200003260	S.COIL	NL 322522T-101J
L117	6180001710	COIL	LAL 03NA 561K
L118	6180001710	COIL	LAL 03NA 561K
L119	6180001710	COIL	LAL 03NA 561K
L120	6180001710	COIL	LAL 03NA 561K
L121	6180001710	COIL	LAL 03NA 561K

S.=Surface mount

[GEN]: [GEN-21], [GEN-22], [GEN-23] [EUR]: [EUR-21], [EUR-22]
 [GMDSS]: [GEN-23], [EUR-22] [Others]: [GEN-21], [GEN-22], [EUR-21]

[MAIN UNIT]

REF NO.	ORDER NO.	DESCRIPTION	
L122	6180001710	COIL	LAL 03NA 561K
L123	6200003020	S.COIL	NL 322522T-R33J-3
L124	6200003000	S.COIL	NL 322522T-R22J-3
L125	6200003260	S.COIL	NL 322522T-101J
L126	6180000990	COIL	LAL 04NA 101K
L127	6200003260	S.COIL	NL 322522T-101J
L129	6180000900	COIL	LAL 03NA 101K
L130	6180000900	COIL	LAL 03NA 101K
L131	6180000900	COIL	LAL 03NA 101K
L132	6200003260	S.COIL	NL 322522T-101J
L133	2040000490	COIL	EXC-ELDR25C
L134	2040000490	COIL	EXC-ELDR25C
L135	2040000490	COIL	EXC-ELDR25C
L136	2040000490	COIL	EXC-ELDR25C
L137	6200001720	S.COIL	NL 322522T-1R0J
L138	2040000490	COIL	EXC-ELDR25C
L139	6200001830	S.COIL	NL 322522T-100J
L140	6200003260	S.COIL	NL 322522T-101J
L141	2040000490	COIL	EXC-ELDR25C
L142	6180000900	COIL	LAL 03NA 101K
L143	2040000490	COIL	EXC-ELDR25C
L144	6200003260	S.COIL	NL 322522T-101J
L145	6200003260	S.COIL	NL 322522T-101J
L147	6200003260	S.COIL	NL 322522T-101J
L148	6200001710	S.COIL	NL 322522T-220J
L149	6200003190	S.COIL	NL 322522T-470J
R1	7030003380	S.RESISTOR	ERJ3GEYJ 331 V (330 Ω)
R2	7010003180	RESISTOR	ELR20J 15 Ω
R3	7030003380	S.RESISTOR	ERJ3GEYJ 331 V (330 Ω)
R4	7010003200	RESISTOR	ELR20J 22 Ω
R5	7030003200	S.RESISTOR	ERJ3GEYJ 100 V (10 Ω)
R6	7030003520	S.RESISTOR	ERJ3GEYJ 472 V (4.7 kΩ)
R7	7010003390	RESISTOR	ELR20J 820 Ω
R8	7030003400	S.RESISTOR	ERJ3GEYJ 471 V (470 Ω)
R9	7030003400	S.RESISTOR	ERJ3GEYJ 471 V (470 Ω)
R10	7030003400	S.RESISTOR	ERJ3GEYJ 471 V (470 Ω)
R11	7030003360	S.RESISTOR	ERJ3GEYJ 221 V (220 Ω)
R12	7030003360	S.RESISTOR	ERJ3GEYJ 221 V (220 Ω)
R13	7030003360	S.RESISTOR	ERJ3GEYJ 221 V (220 Ω)
R14	7030003360	S.RESISTOR	ERJ3GEYJ 221 V (220 Ω)
R15	7030003360	S.RESISTOR	ERJ3GEYJ 221 V (220 Ω)
R16	7030003360	S.RESISTOR	ERJ3GEYJ 221 V (220 Ω)
R17	7030003360	S.RESISTOR	ERJ3GEYJ 221 V (220 Ω)
R18	7030003360	S.RESISTOR	ERJ3GEYJ 221 V (220 Ω)
R19	7030003360	S.RESISTOR	ERJ3GEYJ 221 V (220 Ω)
R20	7030003440	S.RESISTOR	ERJ3GEYJ 102 V (1 kΩ)
R21	7030003440	S.RESISTOR	ERJ3GEYJ 102 V (1 kΩ)
R22	7030003400	S.RESISTOR	ERJ3GEYJ 471 V (470 Ω)
R23	7030003400	S.RESISTOR	ERJ3GEYJ 471 V (470 Ω)
R24	7030003400	S.RESISTOR	ERJ3GEYJ 471 V (470 Ω)
R25	7030003560	S.RESISTOR	ERJ3GEYJ 103 V (10 kΩ)
R26	7310002670	S.TRIMMER	RV-143 (RH03A3AS2) 471
R27	7030003440	S.RESISTOR	ERJ3GEYJ 102 V (1 kΩ)
R28	7010003350	RESISTOR	ELR20J 390 Ω
R29	7030003480	S.RESISTOR	ERJ3GEYJ 222 V (2.2 kΩ)
R32	7030003340	S.RESISTOR	ERJ3GEYJ 151 V (150 Ω)
R33	7010003230	RESISTOR	ELR20J 39 Ω
R34	7030003340	S.RESISTOR	ERJ3GEYJ 151 V (150 Ω)
R35	7030003480	S.RESISTOR	ERJ3GEYJ 222 V (2.2 kΩ)
R36	7030003640	S.RESISTOR	ERJ3GEYJ 473 V (47 kΩ)
R37	7030003440	S.RESISTOR	ERJ3GEYJ 102 V (1 kΩ)
R38	7030003440	S.RESISTOR	ERJ3GEYJ 102 V (1 kΩ)
R39	7010003180	RESISTOR	ELR20J 15 Ω
R41	7010003240	RESISTOR	ELR20J 47 Ω
R43	7030003530	S.RESISTOR	ERJ3GEYJ 562 V (5.6 kΩ)
R44	7030003280	S.RESISTOR	ERJ3GEYJ 470 V (47 Ω)
R45	7030003460	S.RESISTOR	ERJ3GEYJ 152 V (1.5 kΩ)
R46	7030003200	S.RESISTOR	ERJ3GEYJ 100 V (10 Ω)
R47	7030003440	S.RESISTOR	ERJ3GEYJ 102 V (1 kΩ)
R48	7030003520	S.RESISTOR	ERJ3GEYJ 472 V (4.7 kΩ)
R49	7030003440	S.RESISTOR	ERJ3GEYJ 102 V (1 kΩ)
R50	7030003520	S.RESISTOR	ERJ3GEYJ 472 V (4.7 kΩ)
R51	7030003320	S.RESISTOR	ERJ3GEYJ 101 V (100 Ω)
R52	7030003680	S.RESISTOR	ERJ3GEYJ 104 V (100 kΩ)
R53	7030003640	S.RESISTOR	ERJ3GEYJ 473 V (47 kΩ)
R54	7030003640	S.RESISTOR	ERJ3GEYJ 473 V (47 kΩ)
R55	7030003320	S.RESISTOR	ERJ3GEYJ 101 V (100 Ω)
R56	7030003440	S.RESISTOR	ERJ3GEYJ 102 V (1 kΩ)
R57	7030003520	S.RESISTOR	ERJ3GEYJ 472 V (4.7 kΩ)
R58	7030003560	S.RESISTOR	ERJ3GEYJ 103 V (10 kΩ)

[MAIN UNIT]

REF NO.	ORDER NO.	DESCRIPTION	
R59	7010004450	RESISTOR	R20J 100 kΩ
R60	7030003640	S.RESISTOR	ERJ3GEYJ 473 V (47 kΩ)
R61	7030003540	S.RESISTOR	ERJ3GEYJ 682 V (6.8 kΩ)
R62	7030003380	S.RESISTOR	ERJ3GEYJ 331 V (330 Ω)
R63	7030003600	S.RESISTOR	ERJ3GEYJ 223 V (22 kΩ)
R64	7030006520	S.RESISTOR	RR0816P-561-D (560 Ω)
R65	7030003280	S.RESISTOR	ERJ3GEYJ 470 V (47 Ω)
R66	7030003200	S.RESISTOR	ERJ3GEYJ 100 V (10 Ω)
R67	7030003480	S.RESISTOR	ERJ3GEYJ 222 V (2.2 kΩ)
R68	7030003280	S.RESISTOR	ERJ3GEYJ 470 V (47 Ω)
R69	7030003520	S.RESISTOR	ERJ3GEYJ 472 V (4.7 kΩ)
R70	7030003400	S.RESISTOR	ERJ3GEYJ 471 V (470 Ω)
R71	7030003400	S.RESISTOR	ERJ3GEYJ 471 V (470 Ω)
R72	7030003400	S.RESISTOR	ERJ3GEYJ 471 V (470 Ω)
R73	7030003600	S.RESISTOR	ERJ3GEYJ 223 V (22 kΩ)
R74	7030003280	S.RESISTOR	ERJ3GEYJ 470 V (47 Ω)
R75	7010003200	RESISTOR	ELR20J 22 Ω
R76	7030003600	S.RESISTOR	ERJ3GEYJ 223 V (22 kΩ)
R77	7030003560	S.RESISTOR	ERJ3GEYJ 103 V (10 kΩ)
R79	7030003800	S.RESISTOR	ERJ3GEYJ 105 V (1 MΩ)
R80	7030003320	S.RESISTOR	ERJ3GEYJ 101 V (100 Ω)
R81	7030003320	S.RESISTOR	ERJ3GEYJ 101 V (100 Ω)
R82	7030003480	S.RESISTOR	ERJ3GEYJ 222 V (2.2 kΩ)
R83	7030003480	S.RESISTOR	ERJ3GEYJ 222 V (2.2 kΩ)
R84	7030003480	S.RESISTOR	ERJ3GEYJ 222 V (2.2 kΩ)
R85	7030003360	S.RESISTOR	ERJ3GEYJ 221 V (220 Ω)
R86	7030003440	S.RESISTOR	ERJ3GEYJ 102 V (1 kΩ)
R87	7030003660	S.RESISTOR	ERJ3GEYJ 683 V (68 kΩ)
R88	7030003610	S.RESISTOR	ERJ3GEYJ 273 V (27 kΩ)
R89	7030003760	S.RESISTOR	ERJ3GEYJ 474 V (470 kΩ)
R90	7510000290	THERMISTOR	ERT-D2ZGL 301S
R91	7030003320	S.RESISTOR	ERJ3GEYJ 101 V (100 Ω)
R92	7030003320	S.RESISTOR	ERJ3GEYJ 101 V (100 Ω)
R94	7030003560	S.RESISTOR	ERJ3GEYJ 103 V (10 kΩ)
R95	7010003170	RESISTOR	ELR20J 12 Ω
R96	7010003170	RESISTOR	ELR20J 12 Ω
R97	7030003320	S.RESISTOR	ERJ3GEYJ 101 V (100 Ω)
R98	7010003200	RESISTOR	ELR20J 22 Ω
R99	7030003520	S.RESISTOR	ERJ3GEYJ 472 V (4.7 kΩ)
R100	7030003530	S.RESISTOR	ERJ3GEYJ 562 V (5.6 kΩ)
R101	7010003200	RESISTOR	ELR20J 22 Ω
R102	7030003440	S.RESISTOR	ERJ3GEYJ 102 V (1 kΩ)
R103	7030003640	S.RESISTOR	ERJ3GEYJ 473 V (47 kΩ)
R104	7030003320	S.RESISTOR	ERJ3GEYJ 101 V (100 Ω)
R105	7030003440	S.RESISTOR	ERJ3GEYJ 102 V (1 kΩ)
R106	7030003380	S.RESISTOR	ERJ3GEYJ 331 V (330 Ω)
R107	7030003560	S.RESISTOR	ERJ3GEYJ 103 V (10 kΩ)
R108	7030003620	S.RESISTOR	ERJ3GEYJ 333 V (33 kΩ)
R109	7030003460	S.RESISTOR	ERJ3GEYJ 152 V (1.5 kΩ)
R110	7030003320	S.RESISTOR	ERJ3GEYJ 101 V (100 Ω)
R111	7030003380	S.RESISTOR	ERJ3GEYJ 331 V (330 Ω)
R112	7030003680	S.RESISTOR	ERJ3GEYJ 104 V (100 kΩ)
R113	7030003680	S.RESISTOR	ERJ3GEYJ 104 V (100 kΩ)
R114	7030003720	S.RESISTOR	ERJ3GEYJ 224 V (220 kΩ)
R116	7030003460	S.RESISTOR	ERJ3GEYJ 152 V (1.5 kΩ)
R117	7030003560	S.RESISTOR	ERJ3GEYJ 103 V (10 kΩ)
R118	7030003560	S.RESISTOR	ERJ3GEYJ 103 V (10 kΩ)
R119	7030003320	S.RESISTOR	ERJ3GEYJ 101 V (100 Ω)
R120	7030003320	S.RESISTOR	ERJ3GEYJ 101 V (100 Ω)
R121	7030003480	S.RESISTOR	ERJ3GEYJ 222 V (2.2 kΩ)
R122	7030003480	S.RESISTOR	ERJ3GEYJ 222 V (2.2 kΩ)
R123	7030003480	S.RESISTOR	ERJ3GEYJ 222 V (2.2 kΩ)
R124	7030003320	S.RESISTOR	ERJ3GEYJ 101 V (100 Ω)
R125	7030003320	S.RESISTOR	ERJ3GEYJ 101 V (100 Ω)
R126	7030003480	S.RESISTOR	ERJ3GEYJ 222 V (2.2 kΩ)
R127	7030003480	S.RESISTOR	ERJ3GEYJ 222 V (2.2 kΩ)
R128	7030003480	S.RESISTOR	ERJ3GEYJ 222 V (2.2 kΩ)
R129	7030003320	S.RESISTOR	ERJ3GEYJ 101 V (100 Ω)
R130	7030003320	S.RESISTOR	ERJ3GEYJ 101 V (100 Ω)
R131	7010003380	RESISTOR	ELR20J 680 Ω
R132	7030003480	S.RESISTOR	ERJ3GEYJ 222 V (2.2 kΩ)
R133	7030003480	S.RESISTOR	ERJ3GEYJ 222 V (2.2 kΩ)
R134	7030003480	S.RESISTOR	ERJ3GEYJ 222 V (2.2 kΩ)
R135	7030003320	S.RESISTOR	ERJ3GEYJ 101 V (100 Ω)
R136	7030003560	S.RESISTOR	ERJ3GEYJ 103 V (10 kΩ)
R138	7030003680	S.RESISTOR	ERJ3GEYJ 104 V (100 kΩ)
R139	7030003640	S.RESISTOR	ERJ3GEYJ 473 V (47 kΩ)
R140	7030003680	S.RESISTOR	ERJ3GEYJ 104 V (100 kΩ)
R143	7030003640	S.RESISTOR	ERJ3GEYJ 473 V (47 kΩ)
R149	7030003200	S.RESISTOR	ERJ3GEYJ 100 V (10 Ω)
R150	7010004270	RESISTOR	R20J 4.7 kΩ
R157	7030003620	S.RESISTOR	ERJ3GEYJ 333 V (33 kΩ)

[GEN]
[GEN]

[GEN]: [GEN-21], [GEN-22], [GEN-23] [EUR]: [EUR-21], [EUR-22]
[GMDSS]: [GEN-23], [EUR-22] [Others]: [GEN-21], [GEN-22], [EUR-21]

S.=Surface mount

[MAIN UNIT]

REF NO.	ORDER NO.	DESCRIPTION
R158	7030003560	S.RESISTOR ERJ3GEYJ 103 V (10 kΩ)
R159	7010004340	RESISTOR R20J 15 kΩ
R161	7030003840	S.RESISTOR ERJ3GEYJ 225 V (2.2 MΩ)
R162	7030003800	S.RESISTOR ERJ3GEYJ 105 V (1 MΩ)
R163	7030003840	S.RESISTOR ERJ3GEYJ 225 V (2.2 MΩ)
R164	7030003720	S.RESISTOR ERJ3GEYJ 224 V (220 kΩ)
R165	7030003720	S.RESISTOR ERJ3GEYJ 224 V (220 kΩ)
R166	7030003680	S.RESISTOR ERJ3GEYJ 104 V (100 kΩ)
R167	7030003360	S.RESISTOR ERJ3GEYJ 221 V (220 Ω)
R168	7030003760	S.RESISTOR ERJ3GEYJ 474 V (470 kΩ)
R169	7030003760	S.RESISTOR ERJ3GEYJ 474 V (470 kΩ)
R170	7030003560	S.RESISTOR ERJ3GEYJ 103 V (10 kΩ)
R171	7010003550	RESISTOR ELR20J 15 kΩ
R172	7030003620	S.RESISTOR ERJ3GEYJ 333 V (33 kΩ)
R173	7030003320	S.RESISTOR ERJ3GEYJ 101 V (100 Ω)
R174	7030003600	S.RESISTOR ERJ3GEYJ 223 V (22 kΩ)
R175	7030003440	S.RESISTOR ERJ3GEYJ 102 V (1 kΩ)
R176	7030003640	S.RESISTOR ERJ3GEYJ 473 V (47 kΩ)
R177	7030003680	S.RESISTOR ERJ3GEYJ 104 V (100 kΩ)
R183	7030003600	S.RESISTOR ERJ3GEYJ 223 V (22 kΩ)
R184	7310002740	S.TRIMMER RV-150 (RH03A3A14X0FC) 103
R185	7030003520	S.RESISTOR ERJ3GEYJ 472 V (4.7 kΩ)
R186	7030003680	S.RESISTOR ERJ3GEYJ 104 V (100 kΩ)
R187	7030003360	S.RESISTOR ERJ3GEYJ 221 V (220 Ω)
R188	7030003360	S.RESISTOR ERJ3GEYJ 221 V (220 Ω)
R189	7030003720	S.RESISTOR ERJ3GEYJ 224 V (220 kΩ)
R190	7030003320	S.RESISTOR ERJ3GEYJ 101 V (100 Ω)
R191	7030003480	S.RESISTOR ERJ3GEYJ 222 V (2.2 kΩ)
R192	7030003360	S.RESISTOR ERJ3GEYJ 221 V (220 Ω)
R193	7030003360	S.RESISTOR ERJ3GEYJ 221 V (220 Ω)
R194	7030003680	S.RESISTOR ERJ3GEYJ 104 V (100 kΩ)
R196	7030003480	S.RESISTOR ERJ3GEYJ 222 V (2.2 kΩ)
R197	7030003560	S.RESISTOR ERJ3GEYJ 103 V (10 kΩ)
R198	7030003560	S.RESISTOR ERJ3GEYJ 103 V (10 kΩ)
R199	7030003560	S.RESISTOR ERJ3GEYJ 103 V (10 kΩ)
R200	7030003560	S.RESISTOR ERJ3GEYJ 103 V (10 kΩ)
R201	7030003360	S.RESISTOR ERJ3GEYJ 221 V (220 Ω)
R202	7030003590	S.RESISTOR ERJ3GEYJ 183 V (18 kΩ)
R204	7030003480	S.RESISTOR ERJ3GEYJ 222 V (2.2 kΩ)
R205	7310000660	TRIMMER RH0621C14J19A (103)
R207	7030003320	S.RESISTOR ERJ3GEYJ 101 V (100 Ω)
R208	7030003480	S.RESISTOR ERJ3GEYJ 222 V (2.2 kΩ)
R209	7030003580	S.RESISTOR ERJ3GEYJ 153 V (15 kΩ)
R210	7030003340	S.RESISTOR ERJ3GEYJ 151 V (150 Ω)
R211	7310002670	S.TRIMMER RV-143 (RH03A3AS2) 471
R212	7310002630	S.TRIMMER RV-139 (RH03A3A12) 101
R213	7510000240	THERMISTOR ERT-D2ZGL 332S
R214	7030003560	S.RESISTOR ERJ3GEYJ 103 V (10 kΩ)
R215	7030003440	S.RESISTOR ERJ3GEYJ 102 V (1 kΩ)
R216	7030003520	S.RESISTOR ERJ3GEYJ 472 V (4.7 kΩ)
R217	7030003560	S.RESISTOR ERJ3GEYJ 103 V (10 kΩ)
R218	7030003620	S.RESISTOR ERJ3GEYJ 333 V (33 kΩ)
R219	7030003520	S.RESISTOR ERJ3GEYJ 472 V (4.7 kΩ)
R220	7030003400	S.RESISTOR ERJ3GEYJ 471 V (470 Ω)
R221	7030003320	S.RESISTOR ERJ3GEYJ 101 V (100 Ω)
R222	7030003320	S.RESISTOR ERJ3GEYJ 101 V (100 Ω)
R223	7310002720	S.TRIMMER RV-148 (RH03A3AS3X0DA) 472
R224	7030003620	S.RESISTOR ERJ3GEYJ 333 V (33 kΩ)
R225	7030003520	S.RESISTOR ERJ3GEYJ 472 V (4.7 kΩ)
R226	7030003400	S.RESISTOR ERJ3GEYJ 471 V (470 Ω)
R227	7030003320	S.RESISTOR ERJ3GEYJ 101 V (100 Ω)
R228	7030003320	S.RESISTOR ERJ3GEYJ 101 V (100 Ω)
R229	7030003360	S.RESISTOR ERJ3GEYJ 221 V (220 Ω)
R230	7030003520	S.RESISTOR ERJ3GEYJ 472 V (4.7 kΩ)
R231	7030003460	S.RESISTOR ERJ3GEYJ 152 V (1.5 kΩ)
R232	7030003500	S.RESISTOR ERJ3GEYJ 332 V (3.3 kΩ)
R233	7030003500	S.RESISTOR ERJ3GEYJ 332 V (3.3 kΩ)
R234	7030003560	S.RESISTOR ERJ3GEYJ 103 V (10 kΩ)
R235	7030004050	S.RESISTOR ERJ3GEYJ 1R0 V (1 Ω)
R236	7030003460	S.RESISTOR ERJ3GEYJ 152 V (1.5 kΩ)
R237	7030003390	S.RESISTOR ERJ3GEYJ 391 V (390 Ω)
R238	7310002710	S.TRIMMER RV-147 (RH03A3AN3X02A) 332
R239	7030003400	S.RESISTOR ERJ3GEYJ 471 V (470 Ω)
R240	7030003400	S.RESISTOR ERJ3GEYJ 471 V (470 Ω)
R241	7030003620	S.RESISTOR ERJ3GEYJ 333 V (33 kΩ)
R242	7030003620	S.RESISTOR ERJ3GEYJ 333 V (33 kΩ)
R243	7010006930	RESISTOR PSD1/4 470 Ω
R244	7030003520	S.RESISTOR ERJ3GEYJ 472 V (4.7 kΩ)
R245	7030003360	S.RESISTOR ERJ3GEYJ 221 V (220 Ω)
R246	7030003680	S.RESISTOR ERJ3GEYJ 104 V (100 kΩ)
R247	7030003520	S.RESISTOR ERJ3GEYJ 472 V (4.7 kΩ)
R254	7030003360	S.RESISTOR ERJ3GEYJ 221 V (220 Ω)

[MAIN UNIT]

REF NO.	ORDER NO.	DESCRIPTION
R255	7030003520	S.RESISTOR ERJ3GEYJ 472 V (4.7 kΩ)
R256	7030003320	S.RESISTOR ERJ3GEYJ 101 V (100 Ω)
R257	7310000660	TRIMMER RH0621C14J19A (103)
R258	7030003600	S.RESISTOR ERJ3GEYJ 223 V (22 kΩ)
R259	7030003840	S.RESISTOR ERJ3GEYJ 225 V (2.2 MΩ)
R261	7030003840	S.RESISTOR ERJ3GEYJ 225 V (2.2 MΩ)
R262	7030003800	S.RESISTOR ERJ3GEYJ 105 V (1 MΩ)
R263	7030003800	S.RESISTOR ERJ3GEYJ 105 V (1 MΩ)
R264	7030003360	S.RESISTOR ERJ3GEYJ 221 V (220 Ω)
R265	7030003710	S.RESISTOR ERJ3GEYJ 184 V (180 kΩ)
R266	7030003600	S.RESISTOR ERJ3GEYJ 223 V (22 kΩ)
R267	7030003800	S.RESISTOR ERJ3GEYJ 105 V (1 MΩ)
R268	7030003280	S.RESISTOR ERJ3GEYJ 470 V (47 Ω)
R269	7030003520	S.RESISTOR ERJ3GEYJ 472 V (4.7 kΩ)
R270	7030003680	S.RESISTOR ERJ3GEYJ 104 V (100 kΩ)
R271	7030003520	S.RESISTOR ERJ3GEYJ 472 V (4.7 kΩ)
R272	7030003520	S.RESISTOR ERJ3GEYJ 472 V (4.7 kΩ)
R273	7030003640	S.RESISTOR ERJ3GEYJ 473 V (47 kΩ)
R274	7030003680	S.RESISTOR ERJ3GEYJ 104 V (100 kΩ)
R275	7030003680	S.RESISTOR ERJ3GEYJ 104 V (100 kΩ)
R276	7030003440	S.RESISTOR ERJ3GEYJ 102 V (1 kΩ)
R277	7030003360	S.RESISTOR ERJ3GEYJ 221 V (220 Ω)
R278	7030003620	S.RESISTOR ERJ3GEYJ 333 V (33 kΩ)
R279	7030003320	S.RESISTOR ERJ3GEYJ 101 V (100 Ω)
R280	7030003380	S.RESISTOR ERJ3GEYJ 331 V (330 Ω)
R281	7030003500	S.RESISTOR ERJ3GEYJ 332 V (3.3 kΩ)
R282	7030003580	S.RESISTOR ERJ3GEYJ 153 V (15 kΩ)
R283	7030003460	S.RESISTOR ERJ3GEYJ 152 V (1.5 kΩ)
R284	7030003560	S.RESISTOR ERJ3GEYJ 103 V (10 kΩ)
R285	7030003520	S.RESISTOR ERJ3GEYJ 472 V (4.7 kΩ)
R286	7030003720	S.RESISTOR ERJ3GEYJ 224 V (220 kΩ)
R287	7030003650	S.RESISTOR ERJ3GEYJ 563 V (56 kΩ)
R288	7010003300	RESISTOR ELR20J 150 Ω
R290	7030003400	S.RESISTOR ERJ3GEYJ 471 V (470 Ω)
R291	7030006520	S.RESISTOR RR0816P-561-D (560 Ω)
R292	7030003580	S.RESISTOR ERJ3GEYJ 153 V (15 kΩ)
R293	7030003560	S.RESISTOR ERJ3GEYJ 103 V (10 kΩ)
R294	7030003580	S.RESISTOR ERJ3GEYJ 153 V (15 kΩ)
R295	7030003560	S.RESISTOR ERJ3GEYJ 103 V (10 kΩ)
R296	7030003680	S.RESISTOR ERJ3GEYJ 104 V (100 kΩ)
R297	7030003680	S.RESISTOR ERJ3GEYJ 104 V (100 kΩ)
R298	7030003320	S.RESISTOR ERJ3GEYJ 101 V (100 Ω)
R299	7030003480	S.RESISTOR ERJ3GEYJ 222 V (2.2 kΩ)
R300	7310000660	TRIMMER RH0621C14J19A (103)
R301	7030003580	S.RESISTOR ERJ3GEYJ 153 V (15 kΩ)
R302	7030003600	S.RESISTOR ERJ3GEYJ 223 V (22 kΩ)
R303	7030003520	S.RESISTOR ERJ3GEYJ 472 V (4.7 kΩ)
R304	7030003640	S.RESISTOR ERJ3GEYJ 473 V (47 kΩ)
R305	7030003840	S.RESISTOR ERJ3GEYJ 225 V (2.2 MΩ)
R306	7030003620	S.RESISTOR ERJ3GEYJ 333 V (33 kΩ)
R307	7030003440	S.RESISTOR ERJ3GEYJ 102 V (1 kΩ)
R308	7030003440	S.RESISTOR ERJ3GEYJ 102 V (1 kΩ)
R310	7030003770	S.RESISTOR ERJ3GEYJ 564 V (560 kΩ)
R324	7030003480	S.RESISTOR ERJ3GEYJ 222 V (2.2 kΩ)
R325	7030003320	S.RESISTOR ERJ3GEYJ 101 V (100 Ω)
R328	7030003520	S.RESISTOR ERJ3GEYJ 472 V (4.7 kΩ)
R329	7030003440	S.RESISTOR ERJ3GEYJ 102 V (1 kΩ)
R333	7030003480	S.RESISTOR ERJ3GEYJ 222 V (2.2 kΩ)
R334	7030003440	S.RESISTOR ERJ3GEYJ 102 V (1 kΩ)
R335	7030003440	S.RESISTOR ERJ3GEYJ 102 V (1 kΩ)
R336	7030003680	S.RESISTOR ERJ3GEYJ 104 V (100 kΩ)
R337	7030003480	S.RESISTOR ERJ3GEYJ 222 V (2.2 kΩ)
R338	7030003480	S.RESISTOR ERJ3GEYJ 222 V (2.2 kΩ)
R339	7030003680	S.RESISTOR ERJ3GEYJ 104 V (100 kΩ)
R340	7030003520	S.RESISTOR ERJ3GEYJ 472 V (4.7 kΩ)
R342	7030003680	S.RESISTOR ERJ3GEYJ 104 V (100 kΩ)
R344	7030003680	S.RESISTOR ERJ3GEYJ 104 V (100 kΩ)
R345	7030003560	S.RESISTOR ERJ3GEYJ 103 V (10 kΩ)
R346	7030003400	S.RESISTOR ERJ3GEYJ 471 V (470 Ω)
R348	7030003680	S.RESISTOR ERJ3GEYJ 104 V (100 kΩ)
R349	7030003560	S.RESISTOR ERJ3GEYJ 103 V (10 kΩ)
R350	7030003400	S.RESISTOR ERJ3GEYJ 471 V (470 Ω)
R352	7030003680	S.RESISTOR ERJ3GEYJ 104 V (100 kΩ)
R353	7030003400	S.RESISTOR ERJ3GEYJ 471 V (470 Ω)
R354	7030003560	S.RESISTOR ERJ3GEYJ 103 V (10 kΩ)
R362	7030003480	S.RESISTOR ERJ3GEYJ 222 V (2.2 kΩ)
R363	7030003500	S.RESISTOR ERJ3GEYJ 332 V (3.3 kΩ)
R364	7030003480	S.RESISTOR ERJ3GEYJ 222 V (2.2 kΩ)
R365	7030003440	S.RESISTOR ERJ3GEYJ 102 V (1 kΩ)
R369	7030003500	S.RESISTOR ERJ3GEYJ 332 V (3.3 kΩ)
R370	7030003550	S.RESISTOR ERJ3GEYJ 822 V (8.2 kΩ)
R371	7030003560	S.RESISTOR ERJ3GEYJ 103 V (10 kΩ)

[GEN]: [GEN-21], [GEN-22], [GEN-23] [EUR]: [EUR-21], [EUR-22]
 [GMDSS]: [GEN-23], [EUR-22] [Others]: [GEN-21], [GEN-22], [EUR-21]

S.=Surface mount

[MAIN UNIT]

REF NO.	ORDER NO.	DESCRIPTION
R372	7030003440	S.RESISTOR ERJ3GEYJ 102 V (1 kΩ)
R373	7030003760	S.RESISTOR ERJ3GEYJ 474 V (470 kΩ)
R374	7030003760	S.RESISTOR ERJ3GEYJ 474 V (470 kΩ)
R375	7030003560	S.RESISTOR ERJ3GEYJ 103 V (10 kΩ)
R376	7030003560	S.RESISTOR ERJ3GEYJ 103 V (10 kΩ)
R377	7010000090	RESISTOR ELR25J 4.7 Ω
R378	7010004190	RESISTOR R20J 1 kΩ
R379	7010000090	RESISTOR ELR25J 4.7 Ω
R380	7010004190	RESISTOR R20J 1 kΩ
R381	7030003480	S.RESISTOR ERJ3GEYJ 222 V (2.2 kΩ)
R382	7030003720	S.RESISTOR ERJ3GEYJ 224 V (220 kΩ)
R383	7030003440	S.RESISTOR ERJ3GEYJ 102 V (1 kΩ)
R385	7030003360	S.RESISTOR ERJ3GEYJ 221 V (220 Ω)
R386	7030003530	S.RESISTOR ERJ3GEYJ 562 V (5.6 kΩ)
R387	7030003530	S.RESISTOR ERJ3GEYJ 562 V (5.6 kΩ)
R388	7030003530	S.RESISTOR ERJ3GEYJ 562 V (5.6 kΩ)
R389	7030003590	S.RESISTOR ERJ3GEYJ 183 V (18 kΩ)
R390	7030003440	S.RESISTOR ERJ3GEYJ 102 V (1 kΩ)
R391	7030003500	S.RESISTOR ERJ3GEYJ 332 V (3.3 kΩ)
R392	7030003380	S.RESISTOR ERJ3GEYJ 331 V (330 Ω)
R393	7010004690	RESISTOR R50XJ 47 Ω
R394	7030003280	S.RESISTOR ERJ3GEYJ 470 V (47 Ω)
R395	7030003560	S.RESISTOR ERJ3GEYJ 103 V (10 kΩ)
R396	7030003680	S.RESISTOR ERJ3GEYJ 104 V (100 kΩ)
R403	7030003640	S.RESISTOR ERJ3GEYJ 473 V (47 kΩ)
R404	7030003440	S.RESISTOR ERJ3GEYJ 102 V (1 kΩ)
R411	7030003560	S.RESISTOR ERJ3GEYJ 103 V (10 kΩ)
R412	7030003560	S.RESISTOR ERJ3GEYJ 103 V (10 kΩ)
R413	7010003280	RESISTOR ELR20J 100 Ω
R414	7030003560	S.RESISTOR ERJ3GEYJ 103 V (10 kΩ)
R415	7030003620	S.RESISTOR ERJ3GEYJ 333 V (33 kΩ)
R416	7030003600	S.RESISTOR ERJ3GEYJ 223 V (22 kΩ)
R448	7030003380	S.RESISTOR ERJ3GEYJ 331 V (330 Ω)
R449	7010003180	RESISTOR ELR20J 15 Ω
R450	7030003380	S.RESISTOR ERJ3GEYJ 331 V (330 Ω)
R465	7010003200	RESISTOR ELR20J 22 Ω
R466	7010003200	RESISTOR ELR20J 22 Ω
R467	7010003200	RESISTOR ELR20J 22 Ω
R468	7010003200	RESISTOR ELR20J 22 Ω
R469	7010003200	RESISTOR ELR20J 22 Ω
R470	7010003200	RESISTOR ELR20J 22 Ω
R471	7010003200	RESISTOR ELR20J 22 Ω
R472	7010003200	RESISTOR ELR20J 22 Ω
R481	7030003640	S.RESISTOR ERJ3GEYJ 473 V (47 kΩ)
R493	7030003640	S.RESISTOR ERJ3GEYJ 473 V (47 kΩ)
R494	7030003640	S.RESISTOR ERJ3GEYJ 473 V (47 kΩ)
R501	7030003560	S.RESISTOR ERJ3GEYJ 103 V (10 kΩ)
R502	7030003560	S.RESISTOR ERJ3GEYJ 103 V (10 kΩ)
R503	7030003560	S.RESISTOR ERJ3GEYJ 103 V (10 kΩ)
R504	7030003640	S.RESISTOR ERJ3GEYJ 473 V (47 kΩ)
R505	7030003440	S.RESISTOR ERJ3GEYJ 102 V (1 kΩ)
R506	7030003680	S.RESISTOR ERJ3GEYJ 104 V (100 kΩ)
R510	7030003540	S.RESISTOR ERJ3GEYJ 682 V (6.8 kΩ)
R514	7010000290	RESISTOR ELR25J 220 Ω
R515	7030003520	S.RESISTOR ERJ3GEYJ 472 V (4.7 kΩ)
R517	7030003480	S.RESISTOR ERJ3GEYJ 222 V (2.2 kΩ)
R518	7030003400	S.RESISTOR ERJ3GEYJ 471 V (470 Ω)
R519	7030003640	S.RESISTOR ERJ3GEYJ 473 V (47 kΩ)
R520	7030003380	S.RESISTOR ERJ3GEYJ 331 V (330 Ω)
R521	7010003180	RESISTOR ELR20J 15 Ω
R522	7030003380	S.RESISTOR ERJ3GEYJ 331 V (330 Ω)
R523	7010004690	RESISTOR R50XJ 47 Ω
R525	7030003600	S.RESISTOR ERJ3GEYJ 223 V (22 kΩ)
R526	7030003520	S.RESISTOR ERJ3GEYJ 472 V (4.7 kΩ)
R527	7030003640	S.RESISTOR ERJ3GEYJ 473 V (47 kΩ)
R528	7030003580	S.RESISTOR ERJ3GEYJ 153 V (15 kΩ)
R529	7070000281	RESISTOR ERX1SJ 2R2 (2.2 Ω)
R533	7030003560	S.RESISTOR ERJ3GEYJ 103 V (10 kΩ)
R534	7030003440	S.RESISTOR ERJ3GEYJ 102 V (1 kΩ)
R535	7030003440	S.RESISTOR ERJ3GEYJ 102 V (1 kΩ)
R536	7030003560	S.RESISTOR ERJ3GEYJ 103 V (10 kΩ)
R537	7030003440	S.RESISTOR ERJ3GEYJ 102 V (1 kΩ)
R538	7030003440	S.RESISTOR ERJ3GEYJ 102 V (1 kΩ)
R539	7030003440	S.RESISTOR ERJ3GEYJ 102 V (1 kΩ)
R540	7030003440	S.RESISTOR ERJ3GEYJ 102 V (1 kΩ)
R541	7030003440	S.RESISTOR ERJ3GEYJ 102 V (1 kΩ)
R542	7030003440	S.RESISTOR ERJ3GEYJ 102 V (1 kΩ)
R543	7030003440	S.RESISTOR ERJ3GEYJ 102 V (1 kΩ)
R544	7030003440	S.RESISTOR ERJ3GEYJ 102 V (1 kΩ)
R545	7010004450	RESISTOR R20J 100 kΩ
R601	7030003400	S.RESISTOR ERJ3GEYJ 471 V (470 Ω)
R602	7030003480	S.RESISTOR ERJ3GEYJ 222 V (2.2 kΩ)

[MAIN UNIT]

REF NO.	ORDER NO.	DESCRIPTION
R603	7030003440	S.RESISTOR ERJ3GEYJ 102 V (1 kΩ)
R604	7030003760	S.RESISTOR ERJ3GEYJ 474 V (470 kΩ)
R605	7030003720	S.RESISTOR ERJ3GEYJ 224 V (220 kΩ)
R606	7030003720	S.RESISTOR ERJ3GEYJ 224 V (220 kΩ)
R607	7030003680	S.RESISTOR ERJ3GEYJ 104 V (100 kΩ)
R608	7030003600	S.RESISTOR ERJ3GEYJ 223 V (22 kΩ)
R609	7030003600	S.RESISTOR ERJ3GEYJ 223 V (22 kΩ)
R610	7030003600	S.RESISTOR ERJ3GEYJ 223 V (22 kΩ)
R611	7030003600	S.RESISTOR ERJ3GEYJ 223 V (22 kΩ)
R612	7030003640	S.RESISTOR ERJ3GEYJ 473 V (47 kΩ)
R633	7030003640	S.RESISTOR ERJ3GEYJ 473 V (47 kΩ)
R634	7030003440	S.RESISTOR ERJ3GEYJ 102 V (1 kΩ)
R635	7030003440	S.RESISTOR ERJ3GEYJ 102 V (1 kΩ)
R636	7030003440	S.RESISTOR ERJ3GEYJ 102 V (1 kΩ)
R637	7030003440	S.RESISTOR ERJ3GEYJ 102 V (1 kΩ)
R638	7030003440	S.RESISTOR ERJ3GEYJ 102 V (1 kΩ)
R639	7030003440	S.RESISTOR ERJ3GEYJ 102 V (1 kΩ)
R640	7030003440	S.RESISTOR ERJ3GEYJ 102 V (1 kΩ)
R641	7030003500	S.RESISTOR ERJ3GEYJ 332 V (3.3 kΩ)
R642	7030003640	S.RESISTOR ERJ3GEYJ 473 V (47 kΩ)
R646	7030003440	S.RESISTOR ERJ3GEYJ 102 V (1 kΩ)
R647	7030003560	S.RESISTOR ERJ3GEYJ 103 V (10 kΩ)
R648	7030003560	S.RESISTOR ERJ3GEYJ 103 V (10 kΩ)
R650	7030003600	S.RESISTOR ERJ3GEYJ 223 V (22 kΩ)
R651	7030003440	S.RESISTOR ERJ3GEYJ 102 V (1 kΩ)
R652	7030003440	S.RESISTOR ERJ3GEYJ 102 V (1 kΩ)
R653	7030003640	S.RESISTOR ERJ3GEYJ 473 V (47 kΩ)
R654	7030003440	S.RESISTOR ERJ3GEYJ 102 V (1 kΩ)
R655	7030003440	S.RESISTOR ERJ3GEYJ 102 V (1 kΩ)
R657	7030003440	S.RESISTOR ERJ3GEYJ 102 V (1 kΩ)
R658	7030003440	S.RESISTOR ERJ3GEYJ 102 V (1 kΩ)
R659	7030003440	S.RESISTOR ERJ3GEYJ 102 V (1 kΩ)
R663	7030003640	S.RESISTOR ERJ3GEYJ 473 V (47 kΩ)
R664	7030003640	S.RESISTOR ERJ3GEYJ 473 V (47 kΩ)
R670	7030003620	S.RESISTOR ERJ3GEYJ 333 V (33 kΩ)
R671	7030003540	S.RESISTOR ERJ3GEYJ 682 V (6.8 kΩ)
R672	7030003640	S.RESISTOR ERJ3GEYJ 473 V (47 kΩ)
R673	7030003590	S.RESISTOR ERJ3GEYJ 183 V (18 kΩ)
R674	7030003440	S.RESISTOR ERJ3GEYJ 102 V (1 kΩ)
R675	7030003440	S.RESISTOR ERJ3GEYJ 102 V (1 kΩ)
R676	7030003640	S.RESISTOR ERJ3GEYJ 473 V (47 kΩ)
R677	7030003640	S.RESISTOR ERJ3GEYJ 473 V (47 kΩ)
R678	7030003640	S.RESISTOR ERJ3GEYJ 473 V (47 kΩ)
R679	7030003640	S.RESISTOR ERJ3GEYJ 473 V (47 kΩ)
R680	7030003360	S.RESISTOR ERJ3GEYJ 221 V (220 Ω)
R681	7030003440	S.RESISTOR ERJ3GEYJ 102 V (1 kΩ)
R682	7030003440	S.RESISTOR ERJ3GEYJ 102 V (1 kΩ)
R683	7030003440	S.RESISTOR ERJ3GEYJ 102 V (1 kΩ)
R684	7030003440	S.RESISTOR ERJ3GEYJ 102 V (1 kΩ)
R690	7030003200	S.RESISTOR ERJ3GEYJ 100 V (10 Ω)
R691	7030003200	S.RESISTOR ERJ3GEYJ 100 V (10 Ω)
R692	7030003200	S.RESISTOR ERJ3GEYJ 100 V (10 Ω)
R693	7030003200	S.RESISTOR ERJ3GEYJ 100 V (10 Ω)
R694	7030003200	S.RESISTOR ERJ3GEYJ 100 V (10 Ω)
R695	7030003200	S.RESISTOR ERJ3GEYJ 100 V (10 Ω)
R696	7030003200	S.RESISTOR ERJ3GEYJ 100 V (10 Ω)
R697	7030003200	S.RESISTOR ERJ3GEYJ 100 V (10 Ω)
R698	7010003380	RESISTOR ELR20J 680 Ω
R699	7030003320	S.RESISTOR ERJ3GEYJ 101 V (100 Ω)
R700	7030003320	S.RESISTOR ERJ3GEYJ 101 V (100 Ω)
R701	7010007560	RESISTOR ERD2TJ 1R0 (1 Ω)
R702	7030003400	S.RESISTOR ERJ3GEYJ 471 V (470 Ω)
R703	7030003580	S.RESISTOR ERJ3GEYJ 153 V (15 kΩ)
R704	7030003500	S.RESISTOR ERJ3GEYJ 332 V (3.3 kΩ)
R705	7030003640	S.RESISTOR ERJ3GEYJ 473 V (47 kΩ)
R706	7030003600	S.RESISTOR ERJ3GEYJ 223 V (22 kΩ)
R707	7030003360	S.RESISTOR ERJ3GEYJ 221 V (220 Ω)
R708	7030003440	S.RESISTOR ERJ3GEYJ 102 V (1 kΩ)
R709	7030003620	S.RESISTOR ERJ3GEYJ 333 V (33 kΩ)
R714	7030003640	S.RESISTOR ERJ3GEYJ 473 V (47 kΩ)
R719	7030003640	S.RESISTOR ERJ3GEYJ 473 V (47 kΩ)
R720	7030003620	S.RESISTOR ERJ3GEYJ 333 V (33 kΩ)
R721	7030003520	S.RESISTOR ERJ3GEYJ 472 V (4.7 kΩ)
R722	7030003640	S.RESISTOR ERJ3GEYJ 473 V (47 kΩ)
R723	7030003580	S.RESISTOR ERJ3GEYJ 153 V (15 kΩ)
R724	7030003440	S.RESISTOR ERJ3GEYJ 102 V (1 kΩ)
R725	7030003440	S.RESISTOR ERJ3GEYJ 102 V (1 kΩ)
R726	7030003440	S.RESISTOR ERJ3GEYJ 102 V (1 kΩ)
R729	7030003680	S.RESISTOR ERJ3GEYJ 104 V (100 kΩ)
R730	7010003170	RESISTOR ELR20J 12 Ω
R731	7030003520	S.RESISTOR ERJ3GEYJ 472 V (4.7 kΩ)
R732	7030003640	S.RESISTOR ERJ3GEYJ 473 V (47 kΩ)

[GEN]: [GEN-21], [GEN-22], [GEN-23] [EUR]: [EUR-21], [EUR-22]
 [GMDSS]: [GEN-23], [EUR-22] [Others]: [GEN-21], [GEN-22], [EUR-21]

S.=Surface mount

[MAIN UNIT]

REF NO.	ORDER NO.	DESCRIPTION	
R733	7030003680	S.RESISTOR	ERJ3GEYJ 104 V (100 kΩ)
R734	7030003680	S.RESISTOR	ERJ3GEYJ 104 V (100 kΩ)
R735	7030003680	S.RESISTOR	ERJ3GEYJ 104 V (100 kΩ)
R736	7030003680	S.RESISTOR	ERJ3GEYJ 104 V (100 kΩ)
R738	7030003640	S.RESISTOR	ERJ3GEYJ 473 V (47 kΩ)
R739	7030003640	S.RESISTOR	ERJ3GEYJ 473 V (47 kΩ)
R740	7030003320	S.RESISTOR	ERJ3GEYJ 101 V (100 Ω)
R741	7030003620	S.RESISTOR	ERJ3GEYJ 333 V (33 kΩ)
R742	7030003640	S.RESISTOR	ERJ3GEYJ 473 V (47 kΩ)
R743	7030003480	S.RESISTOR	ERJ3GEYJ 222 V (2.2 kΩ)
R744	7030006521	S.RESISTOR	ERA3YED 561V [GMDSS]
R745	7030006521	S.RESISTOR	ERA3YED 561V [GMDSS]
R746	7030003320	S.RESISTOR	ERJ3GEYJ 101 V (100 Ω) [GMDSS]
R747	7030003400	S.RESISTOR	ERJ3GEYJ 471 V (470 Ω) [GMDSS]
R748	7030003600	S.RESISTOR	ERJ3GEYJ 223 V (22 kΩ) [GMDSS]
R749	7030003640	S.RESISTOR	ERJ3GEYJ 473 V (47 kΩ) [GMDSS]
R750	7030003440	S.RESISTOR	ERJ3GEYJ 102 V (1 kΩ) [GMDSS]
R751	7030006521	S.RESISTOR	ERA3YED 561V [GMDSS]
R752	7030003320	S.RESISTOR	ERJ3GEYJ 101 V (100 Ω)
R753	7030003400	S.RESISTOR	ERJ3GEYJ 471 V (470 Ω)
R754	7030003600	S.RESISTOR	ERJ3GEYJ 223 V (22 kΩ)
R755	7030003640	S.RESISTOR	ERJ3GEYJ 473 V (47 kΩ)
R756	7030003440	S.RESISTOR	ERJ3GEYJ 102 V (1 kΩ)
R757	7030006520	S.RESISTOR	RR0816P-561-D (560 Ω)
R764	7030003620	S.RESISTOR	ERJ3GEYJ 333 V (33 kΩ)
R765	7030003380	S.RESISTOR	ERJ3GEYJ 331 V (330 Ω)
R766	7030003200	S.RESISTOR	ERJ3GEYJ 100 V (10 Ω)
R771	7030003480	S.RESISTOR	ERJ3GEYJ 222 V (2.2 kΩ)
R772	7030003530	S.RESISTOR	ERJ3GEYJ 562 V (5.6 kΩ)
R773	7030003530	S.RESISTOR	ERJ3GEYJ 562 V (5.6 kΩ)
R774	7030003600	S.RESISTOR	ERJ3GEYJ 223 V (22 kΩ)
R777	7030003760	S.RESISTOR	ERJ3GEYJ 474 V (470 kΩ)
R778	7030003440	S.RESISTOR	ERJ3GEYJ 102 V (1 kΩ)
R779	7030003720	S.RESISTOR	ERJ3GEYJ 224 V (220 kΩ)
R781	7030003520	S.RESISTOR	ERJ3GEYJ 472 V (4.7 kΩ)
R782	7030003520	S.RESISTOR	ERJ3GEYJ 472 V (4.7 kΩ)
R783	7030003440	S.RESISTOR	ERJ3GEYJ 102 V (1 kΩ)
R784	7030003440	S.RESISTOR	ERJ3GEYJ 102 V (1 kΩ)
R785	7030003440	S.RESISTOR	ERJ3GEYJ 102 V (1 kΩ)
R786	7030003440	S.RESISTOR	ERJ3GEYJ 102 V (1 kΩ)
R787	7030003440	S.RESISTOR	ERJ3GEYJ 102 V (1 kΩ)
R788	7030003560	S.RESISTOR	ERJ3GEYJ 103 V (10 kΩ)
R789	7030003340	S.RESISTOR	ERJ3GEYJ 151 V (150 Ω)
R790	7030003380	S.RESISTOR	ERJ3GEYJ 331 V (330 Ω)
R791	7030003320	S.RESISTOR	ERJ3GEYJ 101 V (100 Ω)
R792	7030003680	S.RESISTOR	ERJ3GEYJ 104 V (100 kΩ)
R793	7030003560	S.RESISTOR	ERJ3GEYJ 103 V (10 kΩ)
R794	7030003360	S.RESISTOR	ERJ3GEYJ 221 V (220 Ω)
R796	7030003320	S.RESISTOR	ERJ3GEYJ 101 V (100 Ω)
R797	7030003520	S.RESISTOR	ERJ3GEYJ 472 V (4.7 kΩ)
R798	7030003440	S.RESISTOR	ERJ3GEYJ 102 V (1 kΩ)
R799	7030003560	S.RESISTOR	ERJ3GEYJ 103 V (10 kΩ)
R800	7030003600	S.RESISTOR	ERJ3GEYJ 223 V (22 kΩ)
R801	7030003680	S.RESISTOR	ERJ3GEYJ 104 V (100 kΩ)
R802	7030003560	S.RESISTOR	ERJ3GEYJ 103 V (10 kΩ)
R803	7510000540	THERMISTOR	ERT-D2ZGL 171S
R804	7030003520	S.RESISTOR	ERJ3GEYJ 472 V (4.7 kΩ)
R805	7030003670	S.RESISTOR	ERJ3GEYJ 823 V (82 kΩ)
R806	7030003720	S.RESISTOR	ERJ3GEYJ 224 V (220 kΩ)
R807	7510000300	THERMISTOR	ERT-D2ZGL 601S
R808	7030003440	S.RESISTOR	ERJ3GEYJ 102 V (1 kΩ)
R809	7030003600	S.RESISTOR	ERJ3GEYJ 223 V (22 kΩ)
R810	7030003680	S.RESISTOR	ERJ3GEYJ 104 V (100 kΩ)
R811	7030003560	S.RESISTOR	ERJ3GEYJ 103 V (10 kΩ)
R812	7030003680	S.RESISTOR	ERJ3GEYJ 104 V (100 kΩ)
R813	7030003440	S.RESISTOR	ERJ3GEYJ 102 V (1 kΩ)
R820	7030003560	S.RESISTOR	ERJ3GEYJ 103 V (10 kΩ)
R821	7030003600	S.RESISTOR	ERJ3GEYJ 223 V (22 kΩ)
R822	7030003680	S.RESISTOR	ERJ3GEYJ 104 V (100 kΩ)
R823	7030003560	S.RESISTOR	ERJ3GEYJ 103 V (10 kΩ)
R824	7030009220	S.RESISTOR	ERJ12YJ561U
R825	7030003460	S.RESISTOR	ERJ3GEYJ 152 V (1.5 kΩ)
R826	7030003520	S.RESISTOR	ERJ3GEYJ 472 V (4.7 kΩ)
R827	7030003500	S.RESISTOR	ERJ3GEYJ 332 V (3.3 kΩ)
R828	7030003560	S.RESISTOR	ERJ3GEYJ 103 V (10 kΩ)
R829	7030003560	S.RESISTOR	ERJ3GEYJ 103 V (10 kΩ)
R830	7030003560	S.RESISTOR	ERJ3GEYJ 103 V (10 kΩ)

[MAIN UNIT]

REF NO.	ORDER NO.	DESCRIPTION	
R831	7030003560	S.RESISTOR	ERJ3GEYJ 103 V (10 kΩ)
R832	7030003560	S.RESISTOR	ERJ3GEYJ 103 V (10 kΩ)
R833	7030003560	S.RESISTOR	ERJ3GEYJ 103 V (10 kΩ)
R834	7030003560	S.RESISTOR	ERJ3GEYJ 103 V (10 kΩ)
R835	7030003560	S.RESISTOR	ERJ3GEYJ 103 V (10 kΩ)
R836	7030007360	S.RESISTOR	ERJ1WYJ470U (47 Ω)
R837	7030003440	S.RESISTOR	ERJ3GEYJ 102 V (1 kΩ)
R839	7030003500	S.RESISTOR	ERJ3GEYJ 332 V (3.3 kΩ)
R840	7030003500	S.RESISTOR	ERJ3GEYJ 332 V (3.3 kΩ)
R841	7030003440	S.RESISTOR	ERJ3GEYJ 102 V (1 kΩ)
R842	7030003440	S.RESISTOR	ERJ3GEYJ 102 V (1 kΩ)
R843	7030003420	S.RESISTOR	ERJ3GEYJ 681 V (680 Ω)
R844	7310002740	S.TRIMMER	RV-150 (RH03A3A14X0FC) 103
R845	7030003440	S.RESISTOR	ERJ3GEYJ 102 V (1 kΩ)
R858	7030003460	S.RESISTOR	ERJ3GEYJ 152 V (1.5 kΩ)
R876	7030003440	S.RESISTOR	ERJ3GEYJ 102 V (1 kΩ)
R885	7030003510	S.RESISTOR	ERJ3GEYJ 392 V (3.9 kΩ)
R886	7030003510	S.RESISTOR	ERJ3GEYJ 392 V (3.9 kΩ)
R887	7030003320	S.RESISTOR	ERJ3GEYJ 101 V (100 Ω)
R888	7030003460	S.RESISTOR	ERJ3GEYJ 152 V (1.5 kΩ)
R900	7030003440	S.RESISTOR	ERJ3GEYJ 102 V (1 kΩ)
R901	7030003560	S.RESISTOR	ERJ3GEYJ 103 V (10 kΩ)
R902	7510001350	THERMISTOR	ERT-D2ZHL 103S
R903	7510000230	THERMISTOR	ERT-D2ZGL 251S
R904	7030003280	S.RESISTOR	ERJ3GEYJ 470 V (47 Ω)
C2	4030008920	S.CERAMIC	C1608 JB 1H 473K-T
C3	4030006880	S.CERAMIC	C1608 JB 1H 472K-T
C4	4030006870	S.CERAMIC	C1608 JB 1H 222K-T
C5	4030006900	S.CERAMIC	C1608 JB 1H 103K-T
C6	4030010020	S.CERAMIC	C1608 JB 1H 122K-T
C7	4030008860	S.CERAMIC	C1608 JB 1H 153K-T
C8	4030006870	S.CERAMIC	C1608 JB 1H 222K-T
C9	4030008920	S.CERAMIC	C1608 JB 1H 473K-T
C10	4030008920	S.CERAMIC	C1608 JB 1H 473K-T
C11	4030006870	S.CERAMIC	C1608 JB 1H 222K-T
C12	4030006810	S.CERAMIC	C1608 SL 1H 271J-T
C13	4030009970	S.CERAMIC	C1608 JB 1H 182K-T
C14	4030008920	S.CERAMIC	C1608 JB 1H 473K-T
C15	4030010070	S.CERAMIC	C1608 X7S 1C 104K-T
C16	4030010070	S.CERAMIC	C1608 X7S 1C 104K-T
C17	4030009980	S.CERAMIC	C1608 JB 1H 152K-T
C18	4030010750	S.CERAMIC	C1608 CH 1H 201J-T
C19	4030009980	S.CERAMIC	C1608 JB 1H 152K-T
C20	4030008470	S.CERAMIC	C1608 JB 1H 272K-T
C21	4030008850	S.CERAMIC	C1608 JB 1H 123K-T
C22	4030009980	S.CERAMIC	C1608 JB 1H 152K-T
C23	4030010070	S.CERAMIC	C1608 X7S 1C 104K-T
C24	4030010070	S.CERAMIC	C1608 X7S 1C 104K-T
C25	4030010040	S.CERAMIC	C1608 JB 1H 561K-T
C26	4030007140	S.CERAMIC	C1608 CH 1H 121J-T
C27	4030010040	S.CERAMIC	C1608 JB 1H 561K-T
C28	4030009980	S.CERAMIC	C1608 JB 1H 152K-T
C29	4030006880	S.CERAMIC	C1608 JB 1H 472K-T
C30	4030006860	S.CERAMIC	C1608 JB 1H 102K-T
C31	4030010070	S.CERAMIC	C1608 X7S 1C 104K-T
C32	4030010070	S.CERAMIC	C1608 X7S 1C 104K-T
C33	4030010040	S.CERAMIC	C1608 JB 1H 561K-T
C34	4030007130	S.CERAMIC	C1608 CH 1H 101J-T
C35	4030006850	S.CERAMIC	C1608 JB 1H 471K-T
C36	4030010040	S.CERAMIC	C1608 JB 1H 561K-T
C37	4030009970	S.CERAMIC	C1608 JB 1H 182K-T
C38	4030006850	S.CERAMIC	C1608 JB 1H 471K-T
C39	4030010070	S.CERAMIC	C1608 X7S 1C 104K-T
C40	4030010070	S.CERAMIC	C1608 X7S 1C 104K-T
C41	4030006850	S.CERAMIC	C1608 JB 1H 471K-T
C42	4030007100	S.CERAMIC	C1608 CH 1H 560J-T
C43	4030006830	S.CERAMIC	C1608 SL 1H 331J-T
C44	4030006850	S.CERAMIC	C1608 JB 1H 471K-T
C45	4030006870	S.CERAMIC	C1608 JB 1H 222K-T
C46	4030006830	S.CERAMIC	C1608 SL 1H 331J-T
C47	4030010070	S.CERAMIC	C1608 X7S 1C 104K-T
C48	4030010070	S.CERAMIC	C1608 X7S 1C 104K-T
C49	4030006840	S.CERAMIC	C1608 SL 1H 391J-T
C50	4030007080	S.CERAMIC	C1608 CH 1H 390J-T
C51	4030006820	S.CERAMIC	C1608 SL 1H 301J-T
C52	4030006810	S.CERAMIC	C1608 SL 1H 271J-T
C53	4030006870	S.CERAMIC	C1608 JB 1H 222K-T
C54	4030007170	S.CERAMIC	C1608 CH 1H 221J-T
C55	4030010070	S.CERAMIC	C1608 X7S 1C 104K-T
C56	4030010070	S.CERAMIC	C1608 X7S 1C 104K-T

[GEN]: [GEN-21], [GEN-22], [GEN-23] [EUR]: [EUR-21], [EUR-22]
 [GMDSS]: [GEN-23], [EUR-22] [Others]: [GEN-21], [GEN-22], [EUR-21]

S.=Surface mount

[MAIN UNIT]

REF NO.	ORDER NO.	DESCRIPTION
C57	4030006820	S.CERAMIC C1608 SL 1H 301J-T
C58	4030007090	S.CERAMIC C1608 CH 1H 470J-T
C59	4030007170	S.CERAMIC C1608 CH 1H 221J-T
C60	4030006810	S.CERAMIC C1608 SL 1H 271J-T
C61	4030009980	S.CERAMIC C1608 JB 1H 152K-T
C62	4030007160	S.CERAMIC C1608 CH 1H 181J-T
C63	4030010070	S.CERAMIC C1608 X7S 1C 104K-T
C64	4030010070	S.CERAMIC C1608 X7S 1C 104K-T
C65	4030010750	S.CERAMIC C1608 CH 1H 201J-T
C66	4030007050	S.CERAMIC C1608 CH 1H 220J-T
C67	4030007160	S.CERAMIC C1608 CH 1H 181J-T
C68	4030007160	S.CERAMIC C1608 CH 1H 181J-T
C69	4030009980	S.CERAMIC C1608 JB 1H 152K-T
C70	4030007150	S.CERAMIC C1608 CH 1H 151J-T
C71	4030010070	S.CERAMIC C1608 X7S 1C 104K-T
C72	4030010070	S.CERAMIC C1608 X7S 1C 104K-T
C73	4030007150	S.CERAMIC C1608 CH 1H 151J-T
C74	4030007040	S.CERAMIC C1608 CH 1H 180J-T
C75	4030007130	S.CERAMIC C1608 CH 1H 101J-T
C76	4030007150	S.CERAMIC C1608 CH 1H 151J-T
C77	4030006860	S.CERAMIC C1608 JB 1H 102K-T
C78	4030007130	S.CERAMIC C1608 CH 1H 101J-T
C79	4030010070	S.CERAMIC C1608 X7S 1C 104K-T
C80	4030008920	S.CERAMIC C1608 JB 1H 473K-T
C81	4030008920	S.CERAMIC C1608 JB 1H 473K-T
C82	4030006880	S.CERAMIC C1608 JB 1H 472K-T
C83	4030008920	S.CERAMIC C1608 JB 1H 473K-T
C84	4030008920	S.CERAMIC C1608 JB 1H 473K-T
C85	4030006880	S.CERAMIC C1608 JB 1H 472K-T
C86	4030010070	S.CERAMIC C1608 X7S 1C 104K-T
C87	4030006880	S.CERAMIC C1608 JB 1H 472K-T
C88	4030008920	S.CERAMIC C1608 JB 1H 473K-T
C89	4030007030	S.CERAMIC C1608 CH 1H 150J-T
C90	4030006960	S.CERAMIC C1608 CH 1H 050C-T
C91	4030007080	S.CERAMIC C1608 CH 1H 390J-T
C92	4030007040	S.CERAMIC C1608 CH 1H 180J-T
C93	4030007050	S.CERAMIC C1608 CH 1H 220J-T
C94	4030008920	S.CERAMIC C1608 JB 1H 473K-T
C95	4030008920	S.CERAMIC C1608 JB 1H 473K-T
C96	4030006960	S.CERAMIC C1608 CH 1H 050C-T
C98	4030006860	S.CERAMIC C1608 JB 1H 102K-T
C99	4030006880	S.CERAMIC C1608 JB 1H 472K-T
C100	4030006880	S.CERAMIC C1608 JB 1H 472K-T
C101	4030007090	S.CERAMIC C1608 CH 1H 470J-T
C102	4030007090	S.CERAMIC C1608 CH 1H 470J-T
C103	4030007170	S.CERAMIC C1608 CH 1H 221J-T
C104	4030006930	S.CERAMIC C1608 CH 1H 020C-T
C106	4030006880	S.CERAMIC C1608 JB 1H 472K-T
C107	4030006880	S.CERAMIC C1608 JB 1H 472K-T
C108	4030006880	S.CERAMIC C1608 JB 1H 472K-T
C109	4030006880	S.CERAMIC C1608 JB 1H 472K-T
C110	4510006160	ELECTROLYTIC 25 MV 10 HC
C111	4030006860	S.CERAMIC C1608 JB 1H 102K-T
C112	4030006880	S.CERAMIC C1608 JB 1H 472K-T
C113	4030008920	S.CERAMIC C1608 JB 1H 473K-T
C114	4510006160	ELECTROLYTIC 25 MV 10 HC
C115	4030007140	S.CERAMIC C1608 CH 1H 121J-T
C116	4030007050	S.CERAMIC C1608 CH 1H 220J-T
C117	4510005120	ELECTROLYTIC 16 MV 47 HC
C118	4510006160	ELECTROLYTIC 25 MV 10 HC
C119	4030010070	S.CERAMIC C1608 X7S 1C 104K-T
C120	4030006880	S.CERAMIC C1608 JB 1H 472K-T
C121	4030007030	S.CERAMIC C1608 CH 1H 150J-T
C122	4030007030	S.CERAMIC C1608 CH 1H 150J-T
C123	4030007040	S.CERAMIC C1608 CH 1H 180J-T
C125	4030006810	S.CERAMIC C1608 SL 1H 271J-T
C126	4030007100	S.CERAMIC C1608 CH 1H 560J-T
C127	4030006880	S.CERAMIC C1608 JB 1H 472K-T
C128	4030006830	S.CERAMIC C1608 SL 1H 331J-T
C129	4030006830	S.CERAMIC C1608 SL 1H 331J-T
C130	4030007120	S.CERAMIC C1608 CH 1H 820J-T
C131	4030007030	S.CERAMIC C1608 CH 1H 150J-T
C132	4030007150	S.CERAMIC C1608 CH 1H 151J-T
C133	4030007010	S.CERAMIC C1608 CH 1H 100D-T
C134	4030007120	S.CERAMIC C1608 CH 1H 820J-T
C135	4030008920	S.CERAMIC C1608 JB 1H 473K-T
C136	4030007010	S.CERAMIC C1608 CH 1H 100D-T
C137	4030010070	S.CERAMIC C1608 X7S 1C 104K-T
C138	4030010070	S.CERAMIC C1608 X7S 1C 104K-T
C139	4030007000	S.CERAMIC C1608 CH 1H 090D-T
C140	4030008920	S.CERAMIC C1608 JB 1H 473K-T
C141	4030006880	S.CERAMIC C1608 JB 1H 472K-T

[MAIN UNIT]

REF NO.	ORDER NO.	DESCRIPTION
C142	4030007030	S.CERAMIC C1608 CH 1H 150J-T
C143	4030006960	S.CERAMIC C1608 CH 1H 050C-T
C144	4030006860	S.CERAMIC C1608 JB 1H 102K-T
C145	4030006880	S.CERAMIC C1608 JB 1H 472K-T
C146	4030006880	S.CERAMIC C1608 JB 1H 472K-T
C147	4030006880	S.CERAMIC C1608 JB 1H 472K-T
C148	4030006880	S.CERAMIC C1608 JB 1H 472K-T
C149	4030006880	S.CERAMIC C1608 JB 1H 472K-T
C150	4030006990	S.CERAMIC C1608 CH 1H 080D-T
C151	4030006880	S.CERAMIC C1608 JB 1H 472K-T
C152	4030006880	S.CERAMIC C1608 JB 1H 472K-T
C153	4030006930	S.CERAMIC C1608 CH 1H 020C-T
C154	4030008920	S.CERAMIC C1608 JB 1H 473K-T
C155	4030006860	S.CERAMIC C1608 JB 1H 102K-T
C156	4030006880	S.CERAMIC C1608 JB 1H 472K-T
C157	4030006880	S.CERAMIC C1608 JB 1H 472K-T
C158	4030006880	S.CERAMIC C1608 JB 1H 472K-T
C159	4030006880	S.CERAMIC C1608 JB 1H 472K-T
C160	4030008920	S.CERAMIC C1608 JB 1H 473K-T
C161	4030006850	S.CERAMIC C1608 JB 1H 471K-T
C162	4030006880	S.CERAMIC C1608 JB 1H 472K-T
C163	4030008920	S.CERAMIC C1608 JB 1H 473K-T
C164	4510008400	ELECTROLYTIC 25 MV 22 HC
C165	4030006880	S.CERAMIC C1608 JB 1H 472K-T
C166	4510008400	ELECTROLYTIC 25 MV 22 HC
C167	4030007010	S.CERAMIC C1608 CH 1H 100D-T
C168	4510005490	ELECTROLYTIC 50 MV 2R2 HC
C169	4030006880	S.CERAMIC C1608 JB 1H 472K-T
C170	4030008920	S.CERAMIC C1608 JB 1H 473K-T
C171	4030006880	S.CERAMIC C1608 JB 1H 472K-T
C172	4030008930	S.CERAMIC C2012 JB 1C 563K-T
C173	4030008920	S.CERAMIC C1608 JB 1H 473K-T
C174	4030006880	S.CERAMIC C1608 JB 1H 472K-T
C175	4030006880	S.CERAMIC C1608 JB 1H 472K-T
C176	4030006880	S.CERAMIC C1608 JB 1H 472K-T
C177	4030006880	S.CERAMIC C1608 JB 1H 472K-T
C178	4030006880	S.CERAMIC C1608 JB 1H 472K-T
C179	4030006880	S.CERAMIC C1608 JB 1H 472K-T
C180	4030006880	S.CERAMIC C1608 JB 1H 472K-T
C181	4030006880	S.CERAMIC C1608 JB 1H 472K-T
C182	4030006880	S.CERAMIC C1608 JB 1H 472K-T
C183	4030007030	S.CERAMIC C1608 CH 1H 150J-T
C184	4030006990	S.CERAMIC C1608 CH 1H 080D-T
C185	4030007030	S.CERAMIC C1608 CH 1H 150J-T
C186	4030006880	S.CERAMIC C1608 JB 1H 472K-T
C187	4030006880	S.CERAMIC C1608 JB 1H 472K-T
C188	4030006880	S.CERAMIC C1608 JB 1H 472K-T
C189	4030006880	S.CERAMIC C1608 JB 1H 472K-T
C190	4030006900	S.CERAMIC C1608 JB 1H 103K-T
C191	4030006880	S.CERAMIC C1608 JB 1H 472K-T
C192	4030006880	S.CERAMIC C1608 JB 1H 472K-T
C193	4510006160	ELECTROLYTIC 25 MV 10 HC
C194	4030006880	S.CERAMIC C1608 JB 1H 472K-T
C195	4030006900	S.CERAMIC C1608 JB 1H 103K-T
C196	4030006880	S.CERAMIC C1608 JB 1H 472K-T
C197	4030006880	S.CERAMIC C1608 JB 1H 472K-T
C198	4030006880	S.CERAMIC C1608 JB 1H 472K-T
C199	4510005120	ELECTROLYTIC 16 MV 47 HC
C200	4030006830	S.CERAMIC C1608 SL 1H 331J-T
C201	4030006880	S.CERAMIC C1608 JB 1H 472K-T
C202	4030007170	S.CERAMIC C1608 CH 1H 221J-T
C203	4030007050	S.CERAMIC C1608 CH 1H 220J-T
C204	4030010070	S.CERAMIC C1608 X7S 1C 104K-T
C205	4030011600	S.CERAMIC C1608 JB 1E 104K-T
C206	4510001910	ELECTROLYTIC 25 MS7 10UF (5X7)
C207	4030012610	S.CERAMIC C2012 JB 1C 474K-T
C208	4030006880	S.CERAMIC C1608 JB 1H 472K-T
C209	4030011600	S.CERAMIC C1608 JB 1E 104K-T
C210	4510001910	ELECTROLYTIC 25 MS7 10UF (5X7)
C211	4030006880	S.CERAMIC C1608 JB 1H 472K-T
C212	4030006880	S.CERAMIC C1608 JB 1H 472K-T
C213	4030010070	S.CERAMIC C1608 X7S 1C 104K-T
C214	4510001910	ELECTROLYTIC 25 MS7 10UF (5X7)
C215	4030011600	S.CERAMIC C1608 JB 1E 104K-T
C216	4030007050	S.CERAMIC C1608 CH 1H 220J-T
C217	4030006880	S.CERAMIC C1608 JB 1H 472K-T
C218	4510008400	ELECTROLYTIC 25 MV 22 HC
C222	4030007170	S.CERAMIC C1608 CH 1H 221J-T
C225	4030006880	S.CERAMIC C1608 JB 1H 472K-T
C226	4510008400	ELECTROLYTIC 25 MV 22 HC
C228	4030006880	S.CERAMIC C1608 JB 1H 472K-T
C229	4030006850	S.CERAMIC C1608 JB 1H 471K-T

[GEN]: [GEN-21], [GEN-22], [GEN-23] [EUR]: [EUR-21], [EUR-22]
 [GMDSS]: [GEN-23], [EUR-22] [Others]: [GEN-21], [GEN-22], [EUR-21]

S.=Surface mount

[MAIN UNIT]

REF NO.	ORDER NO.	DESCRIPTION
C230	4510006160	ELECTROLYTIC 25 MV 10 HC
C231	4510006160	ELECTROLYTIC 25 MV 10 HC
C232	4030006860	S.CERAMIC C1608 JB 1H 102K-T
C234	4510006160	ELECTROLYTIC 25 MV 10 HC
C235	4510006160	ELECTROLYTIC 25 MV 10 HC
C236	4510006160	ELECTROLYTIC 25 MV 10 HC
C237	4030006880	S.CERAMIC C1608 JB 1H 472K-T
C238	4030007130	S.CERAMIC C1608 CH 1H 101J-T
C239	4030007150	S.CERAMIC C1608 CH 1H 151J-T
C240	4030006880	S.CERAMIC C1608 JB 1H 472K-T
C241	4030006810	S.CERAMIC C1608 SL 1H 271J-T
C242	4030007090	S.CERAMIC C1608 CH 1H 470J-T
C243	4510008400	ELECTROLYTIC 25 MV 22 HC
C244	4030008920	S.CERAMIC C1608 JB 1H 473K-T
C245	4510005490	ELECTROLYTIC 50 MV 2R2 HC
C246	4030006880	S.CERAMIC C1608 JB 1H 472K-T
C247	4030006830	S.CERAMIC C1608 SL 1H 331J-T
C248	4030006860	S.CERAMIC C1608 JB 1H 102K-T
C249	4030010070	S.CERAMIC C1608 X7S 1C 104K-T
C250	4510005120	ELECTROLYTIC 16 MV 47 HC
C251	4510008400	ELECTROLYTIC 25 MV 22 HC
C252	4030008920	S.CERAMIC C1608 JB 1H 473K-T
C253	4030014300	S.CERAMIC C1005 JB 1H 473K-T
C254	4030012610	S.CERAMIC C2012 JB 1C 474K-T
C256	4030009980	S.CERAMIC C1608 JB 1H 152K-T
C257	4310000610	MYLAR 50 F2D 472J
C258	4510008410	ELECTROLYTIC 25 MV 4R7 HC
C259	4030007170	S.CERAMIC C1608 CH 1H 221J-T
C260	4030006880	S.CERAMIC C1608 JB 1H 472K-T
C261	4510005120	ELECTROLYTIC 16 MV 47 HC
C262	4310000360	MYLAR 50 F2D 103J
C263	4510004990	ELECTROLYTIC 16 MV 100 HC
C264	4310000360	MYLAR 50 F2D 103J
C265	4510004910	ELECTROLYTIC 16 MV 10 SWN
C266	4510008410	ELECTROLYTIC 25 MV 4R7 HC
C267	4510008420	ELECTROLYTIC 50 MV R47 HC
C268	4510005120	ELECTROLYTIC 16 MV 47 HC
C269	4510005490	ELECTROLYTIC 50 MV 2R2 HC
C270	4510008410	ELECTROLYTIC 25 MV 4R7 HC
C271	4030010070	S.CERAMIC C1608 X7S 1C 104K-T
C275	4510005120	ELECTROLYTIC 16 MV 47 HC
C276	4030006880	S.CERAMIC C1608 JB 1H 472K-T
C277	4510008410	ELECTROLYTIC 25 MV 4R7 HC
C278	4510005250	ELECTROLYTIC 50 MV 2R2 SWN
C279	4510005250	ELECTROLYTIC 50 MV 2R2 SWN
C280	4510005250	ELECTROLYTIC 50 MV 2R2 SWN
C281	4030010070	S.CERAMIC C1608 X7S 1C 104K-T
C282	4030006880	S.CERAMIC C1608 JB 1H 472K-T
C283	4030006900	S.CERAMIC C1608 JB 1H 103K-T
C284	4030006900	S.CERAMIC C1608 JB 1H 103K-T
C285	4510008420	ELECTROLYTIC 50 MV R47 HC
C286	4510008420	ELECTROLYTIC 50 MV R47 HC
C287	4510006160	ELECTROLYTIC 25 MV 10 HC
C288	4030006880	S.CERAMIC C1608 JB 1H 472K-T
C289	4030006880	S.CERAMIC C1608 JB 1H 472K-T
C290	4510006160	ELECTROLYTIC 25 MV 10 HC
C293	4510006160	ELECTROLYTIC 25 MV 10 HC
C294	4310000380	MYLAR 50 F2D 153J
C295	4310000380	MYLAR 50 F2D 153J
C296	4310000380	MYLAR 50 F2D 153J
C297	4030008920	S.CERAMIC C1608 JB 1H 473K-T
C298	4510006160	ELECTROLYTIC 25 MV 10 HC
C299	4510003790	ELECTROLYTIC 16 MV 10 SWB
C300	4030006880	S.CERAMIC C1608 JB 1H 472K-T
C301	4510003790	ELECTROLYTIC 16 MV 10 SWB
C302	4030006880	S.CERAMIC C1608 JB 1H 472K-T
C303	4510003850	ELECTROLYTIC 50 MV 2R2 SWB
C304	4510001360	ELECTROLYTIC 16 MS5 22UF
C305	4550000340	TANTALUM DN 1C 100M
C306	4030006900	S.CERAMIC C1608 JB 1H 103K-T
C307	4030006860	S.CERAMIC C1608 JB 1H 102K-T
C317	4030006880	S.CERAMIC C1608 JB 1H 472K-T
C319	4030006880	S.CERAMIC C1608 JB 1H 472K-T
C320	4030006880	S.CERAMIC C1608 JB 1H 472K-T
C321	4030006880	S.CERAMIC C1608 JB 1H 472K-T
C322	4030006880	S.CERAMIC C1608 JB 1H 472K-T
C323	4030006880	S.CERAMIC C1608 JB 1H 472K-T
C324	4030006880	S.CERAMIC C1608 JB 1H 472K-T
C325	4030006880	S.CERAMIC C1608 JB 1H 472K-T
C326	4030006880	S.CERAMIC C1608 JB 1H 472K-T
C343	4510008410	ELECTROLYTIC 25 MV 4R7 HC
C361	4030006880	S.CERAMIC C1608 JB 1H 472K-T

[MAIN UNIT]

REF NO.	ORDER NO.	DESCRIPTION
C362	4030006880	S.CERAMIC C1608 JB 1H 472K-T
C363	4030006880	S.CERAMIC C1608 JB 1H 472K-T
C364	4030006880	S.CERAMIC C1608 JB 1H 472K-T
C374	4030006880	S.CERAMIC C1608 JB 1H 472K-T
C387	4030006880	S.CERAMIC C1608 JB 1H 472K-T
C397	4030006880	S.CERAMIC C1608 JB 1H 472K-T
C398	4030006880	S.CERAMIC C1608 JB 1H 472K-T
C401	4030008920	S.CERAMIC C1608 JB 1H 473K-T
C403	4030006880	S.CERAMIC C1608 JB 1H 472K-T
C408	4030007130	S.CERAMIC C1608 CH 1H 101J-T
C409	4030006880	S.CERAMIC C1608 JB 1H 472K-T
C410	4030006880	S.CERAMIC C1608 JB 1H 472K-T
C411	4030006880	S.CERAMIC C1608 JB 1H 472K-T
C412	4030006880	S.CERAMIC C1608 JB 1H 472K-T
C413	4030006880	S.CERAMIC C1608 JB 1H 472K-T
C414	4030006880	S.CERAMIC C1608 JB 1H 472K-T
C416	4030006880	S.CERAMIC C1608 JB 1H 472K-T
C417	4030006880	S.CERAMIC C1608 JB 1H 472K-T
C418	4030006880	S.CERAMIC C1608 JB 1H 472K-T
C419	4030006880	S.CERAMIC C1608 JB 1H 472K-T
C420	4030006880	S.CERAMIC C1608 JB 1H 472K-T
C421	4030006880	S.CERAMIC C1608 JB 1H 472K-T
C434	4030006880	S.CERAMIC C1608 JB 1H 472K-T
C435	4030006880	S.CERAMIC C1608 JB 1H 472K-T
C436	4510005490	ELECTROLYTIC 50 MV 2R2 HC
C437	4030008920	S.CERAMIC C1608 JB 1H 473K-T
C438	4030007030	S.CERAMIC C1608 CH 1H 150J-T
C439	4030007010	S.CERAMIC C1608 CH 1H 100D-T
C444	4030011600	S.CERAMIC C1608 JB 1E 104K-T
C448	4030006880	S.CERAMIC C1608 JB 1H 472K-T
C449	4510008410	ELECTROLYTIC 25 MV 4R7 HC
C450	4030006880	S.CERAMIC C1608 JB 1H 472K-T
C451	4510008410	ELECTROLYTIC 25 MV 4R7 HC
C452	4030006880	S.CERAMIC C1608 JB 1H 472K-T
C454	4030006880	S.CERAMIC C1608 JB 1H 472K-T
C455	4510004590	ELECTROLYTIC 16 MV 470 HC
C456	4030007010	S.CERAMIC C1608 CH 1H 100D-T
C457	4030006920	S.CERAMIC C1608 CH 1H 010C-T
C458	4030007010	S.CERAMIC C1608 CH 1H 100D-T
C459	4030006970	S.CERAMIC C1608 CH 1H 060D-T
C460	4030006920	S.CERAMIC C1608 CH 1H 010C-T
C461	4030006860	S.CERAMIC C1608 JB 1H 102K-T
C462	4030006880	S.CERAMIC C1608 JB 1H 472K-T
C463	4030006860	S.CERAMIC C1608 JB 1H 102K-T
C464	4030006880	S.CERAMIC C1608 JB 1H 472K-T
C501	4030010070	S.CERAMIC C1608 X7S 1C 104K-T
C502	4510004470	ELECTROLYTIC FYLOH 473Z
C503	4510006160	ELECTROLYTIC 25 MV 10 HC
C504	4510003820	ELECTROLYTIC 50 MV R22 SWB
C507	4030010070	S.CERAMIC C1608 X7S 1C 104K-T
C508	4030010070	S.CERAMIC C1608 X7S 1C 104K-T
C509	4030007020	S.CERAMIC C1608 CH 1H 120J-T
C510	4030007020	S.CERAMIC C1608 CH 1H 120J-T
C511	4030006880	S.CERAMIC C1608 JB 1H 472K-T
C512	4030006880	S.CERAMIC C1608 JB 1H 472K-T
C513	4030006880	S.CERAMIC C1608 JB 1H 472K-T
C514	4030006880	S.CERAMIC C1608 JB 1H 472K-T
C515	4030006880	S.CERAMIC C1608 JB 1H 472K-T
C516	4030006880	S.CERAMIC C1608 JB 1H 472K-T
C517	4030006880	S.CERAMIC C1608 JB 1H 472K-T
C518	4030006880	S.CERAMIC C1608 JB 1H 472K-T
C519	4030006880	S.CERAMIC C1608 JB 1H 472K-T
C520	4030006880	S.CERAMIC C1608 JB 1H 472K-T
C521	4030006880	S.CERAMIC C1608 JB 1H 472K-T
C522	4030006880	S.CERAMIC C1608 JB 1H 472K-T
C523	4030006880	S.CERAMIC C1608 JB 1H 472K-T
C524	4030006880	S.CERAMIC C1608 JB 1H 472K-T
C525	4030006880	S.CERAMIC C1608 JB 1H 472K-T
C526	4030006880	S.CERAMIC C1608 JB 1H 472K-T
C527	4030006880	S.CERAMIC C1608 JB 1H 472K-T
C528	4030006880	S.CERAMIC C1608 JB 1H 472K-T
C531	4030006880	S.CERAMIC C1608 JB 1H 472K-T
C532	4030006880	S.CERAMIC C1608 JB 1H 472K-T
C533	4030006880	S.CERAMIC C1608 JB 1H 472K-T
C534	4030006880	S.CERAMIC C1608 JB 1H 472K-T
C535	4030006880	S.CERAMIC C1608 JB 1H 472K-T
C538	4030006880	S.CERAMIC C1608 JB 1H 472K-T
C539	4030006880	S.CERAMIC C1608 JB 1H 472K-T
C542	4030006880	S.CERAMIC C1608 JB 1H 472K-T
C543	4030006880	S.CERAMIC C1608 JB 1H 472K-T
C544	4030006880	S.CERAMIC C1608 JB 1H 472K-T
C546	4030006880	S.CERAMIC C1608 JB 1H 472K-T

[GEN]: [GEN-21], [GEN-22], [GEN-23] [EUR]: [EUR-21], [EUR-22]

[GMDSS]: [GEN-23], [EUR-22] [Others]: [GEN-21], [GEN-22], [EUR-21]

S.=Surface mount

[MAIN UNIT]

REF NO.	ORDER NO.	DESCRIPTION	
C547	4030006880	S.CERAMIC	C1608 JB 1H 472K-T
C548	4030006880	S.CERAMIC	C1608 JB 1H 472K-T
C550	4030006880	S.CERAMIC	C1608 JB 1H 472K-T
C551	4030006880	S.CERAMIC	C1608 JB 1H 472K-T
C555	4030006880	S.CERAMIC	C1608 JB 1H 472K-T
C558	4510005120	ELECTROLYTIC	16 MV 47 HC
C559	4030006880	S.CERAMIC	C1608 JB 1H 472K-T
C560	4030006880	S.CERAMIC	C1608 JB 1H 472K-T
C561	4030007130	S.CERAMIC	C1608 CH 1H 101J-T
C562	4030008920	S.CERAMIC	C1608 JB 1H 473K-T
C564	4030006880	S.CERAMIC	C1608 JB 1H 472K-T
C565	4030006880	S.CERAMIC	C1608 JB 1H 472K-T
C568	4030006880	S.CERAMIC	C1608 JB 1H 472K-T
C569	4030006880	S.CERAMIC	C1608 JB 1H 472K-T
C571	4030008920	S.CERAMIC	C1608 JB 1H 473K-T
C572	4030008920	S.CERAMIC	C1608 JB 1H 473K-T
C573	4030008920	S.CERAMIC	C1608 JB 1H 473K-T
C574	4030007130	S.CERAMIC	C1608 CH 1H 101J-T
C581	4030006880	S.CERAMIC	C1608 JB 1H 472K-T
C582	4030006880	S.CERAMIC	C1608 JB 1H 472K-T
C583	4030006880	S.CERAMIC	C1608 JB 1H 102K-T
C584	4030006880	S.CERAMIC	C1608 JB 1H 472K-T
C585	4030010070	S.CERAMIC	C1608 X7S 1C 104K-T
C593	4030010070	S.CERAMIC	C1608 X7S 1C 104K-T
C594	4030010070	S.CERAMIC	C1608 X7S 1C 104K-T
C595	4030010070	S.CERAMIC	C1608 X7S 1C 104K-T
C597	4030006880	S.CERAMIC	C1608 JB 1H 472K-T
C598	4510008420	ELECTROLYTIC	50 MV R47 HC
C599	4510005000	ELECTROLYTIC	16 MV 220 HC
C600	4510004910	ELECTROLYTIC	16 MV 10 SWN
C601	4510004910	ELECTROLYTIC	16 MV 10 SWN
C602	4030011600	S.CERAMIC	C1608 JB 1E 104K-T [GMDSS]
C603	4030011600	S.CERAMIC	C1608 JB 1E 104K-T [GMDSS]
C604	4030011600	S.CERAMIC	C1608 JB 1E 104K-T [GMDSS]
C605	4510004490	ELECTROLYTIC	25 MV 22 HW [GMDSS]
C606	4030011600	S.CERAMIC	C1608 JB 1E 104K-T [GMDSS]
C607	4030011600	S.CERAMIC	C1608 JB 1E 104K-T [GMDSS]
C608	4030010070	S.CERAMIC	C1608 X7S 1C 104K-T
C609	4510008400	ELECTROLYTIC	25 MV 22 HC
C610	4030010070	S.CERAMIC	C1608 X7S 1C 104K-T
C611	4030011600	S.CERAMIC	C1608 JB 1E 104K-T [GMDSS]
C614	4510005210	ELECTROLYTIC	50 MV 1 SWN
C616	4030006880	S.CERAMIC	C1608 JB 1H 472K-T [GMDSS]
C618	4030007030	S.CERAMIC	C1608 CH 1H 150J-T
C620	4030006920	S.CERAMIC	C1608 CH 1H 010C-T
C622	4030006850	S.CERAMIC	C1608 JB 1H 471K-T
C623	4030009980	S.CERAMIC	C1608 JB 1H 152K-T
C624	4030007140	S.CERAMIC	C1608 CH 1H 121J-T
C625	4030006870	S.CERAMIC	C1608 JB 1H 222K-T
C627	4030006810	S.CERAMIC	C1608 SL 1H 271J-T
C628	4030007030	S.CERAMIC	C1608 CH 1H 150J-T
C629	4030008850	S.CERAMIC	C1608 JB 1H 123K-T
C631	4510008410	ELECTROLYTIC	25 MV 4R7 HC
C632	4510006160	ELECTROLYTIC	25 MV 10 HC
C633	4030008920	S.CERAMIC	C1608 JB 1H 473K-T
C634	4030008920	S.CERAMIC	C1608 JB 1H 473K-T
C635	4510003790	ELECTROLYTIC	16 MV 10 SWB
C637	4030006860	S.CERAMIC	C1608 JB 1H 102K-T
C639	4030009980	S.CERAMIC	C1608 JB 1H 152K-T
C640	4030006880	S.CERAMIC	C1608 JB 1H 472K-T
C641	4030006880	S.CERAMIC	C1608 JB 1H 472K-T
C642	4030006880	S.CERAMIC	C1608 JB 1H 472K-T
C643	4030006880	S.CERAMIC	C1608 JB 1H 472K-T
C644	4030006880	S.CERAMIC	C1608 JB 1H 472K-T
C645	4030006880	S.CERAMIC	C1608 JB 1H 472K-T
C646	4030006860	S.CERAMIC	C1608 JB 1H 102K-T
C647	4030006850	S.CERAMIC	C1608 JB 1H 471K-T
C648	4030006880	S.CERAMIC	C1608 JB 1H 472K-T
C649	4030010070	S.CERAMIC	C1608 X7S 1C 104K-T
C650	4030008920	S.CERAMIC	C1608 JB 1H 473K-T
C651	4030007050	S.CERAMIC	C1608 CH 1H 220J-T
C652	4030010070	S.CERAMIC	C1608 X7S 1C 104K-T
C653	4030010070	S.CERAMIC	C1608 X7S 1C 104K-T
C654	4030006880	S.CERAMIC	C1608 JB 1H 472K-T
C655	4030010070	S.CERAMIC	C1608 X7S 1C 104K-T
C656	4030010070	S.CERAMIC	C1608 X7S 1C 104K-T
C657	4030010070	S.CERAMIC	C1608 X7S 1C 104K-T
C658	4030010070	S.CERAMIC	C1608 X7S 1C 104K-T
C659	4030010070	S.CERAMIC	C1608 X7S 1C 104K-T
C660	4030010070	S.CERAMIC	C1608 X7S 1C 104K-T
C661	4030010070	S.CERAMIC	C1608 X7S 1C 104K-T
C662	4030010070	S.CERAMIC	C1608 X7S 1C 104K-T

[MAIN UNIT]

REF NO.	ORDER NO.	DESCRIPTION	
C663	4030007050	S.CERAMIC	C1608 CH 1H 220J-T
C664	4030006880	S.CERAMIC	C1608 JB 1H 472K-T
C665	4030006880	S.CERAMIC	C1608 JB 1H 472K-T
C666	4030006880	S.CERAMIC	C1608 JB 1H 472K-T
C667	4030006880	S.CERAMIC	C1608 JB 1H 472K-T
C668	4030006880	S.CERAMIC	C1608 JB 1H 472K-T
C669	4030006880	S.CERAMIC	C1608 JB 1H 472K-T
C670	4510005150	ELECTROLYTIC	50 MV 10 HC
C671	4510004990	ELECTROLYTIC	16 MV 100 HC
C672	4510004990	ELECTROLYTIC	16 MV 100 HC
C673	4510004990	ELECTROLYTIC	16 MV 100 HC
C674	4510003840	ELECTROLYTIC	50 MV 1 SWB
C675	4030006880	S.CERAMIC	C1608 JB 1H 472K-T [EUR]
C676	4030006880	S.CERAMIC	C1608 JB 1H 472K-T [EUR]
C677	4030006880	S.CERAMIC	C1608 JB 1H 472K-T [EUR]
C678	4030006880	S.CERAMIC	C1608 JB 1H 472K-T [EUR]
C679	4030006880	S.CERAMIC	C1608 JB 1H 472K-T [EUR]
C680	4030006880	S.CERAMIC	C1608 JB 1H 472K-T [EUR-22]
C681	4030006880	S.CERAMIC	C1608 JB 1H 472K-T [EUR-22]
C682	4030011600	S.CERAMIC	C1608 JB 1E 104K-T
C683	4510004910	ELECTROLYTIC	16 MV 10 SWN
C684	4510008420	ELECTROLYTIC	50 MV R47 HC
C685	4030011600	S.CERAMIC	C1608 JB 1E 104K-T
C686	4510001910	ELECTROLYTIC	25 MS7 10UF (5X7)
C687	4030001910	ELECTROLYTIC	25 MS7 10UF (5X7)
C688	4030001910	ELECTROLYTIC	25 MS7 10UF (5X7)
C690	4030011600	S.CERAMIC	C1608 JB 1E 104K-T
C708	4030011600	S.CERAMIC	C1608 JB 1E 104K-T
C711	4030011600	S.CERAMIC	C1608 JB 1E 104K-T
C712	4030011600	S.CERAMIC	C1608 JB 1E 104K-T
C713	4030011600	S.CERAMIC	C1608 JB 1E 104K-T
C717	4030006880	S.CERAMIC	C1608 JB 1H 472K-T
C718	4030011600	S.CERAMIC	C1608 JB 1E 104K-T
C1051	4030006880	S.CERAMIC	C1608 JB 1H 472K-T
RL2	6330001320	RELAY	AHY103
J1	6510017150	CONNECTOR	TMP-S01X-C1
J2	6510017150	CONNECTOR	TMP-S01X-C1
J3	6510007020	CONNECTOR	TMP-J01X-V6
J4	6510007020	CONNECTOR	TMP-J01X-V6
J5	6510007020	CONNECTOR	TMP-J01X-V6
J6	6450001240	CONNECTOR	HLJ4306-01-3000
J7	6450001440	CONNECTOR	HSJ1403-01-010
J9	6510017660	CONNECTOR	52045-1645
J11	6510023120	CONNECTOR	CD6109SA1J0 <CVI>
J12	6450001580	CONNECTOR	TCS5073-28-4151 [Others]
J13	6510024540	CONNECTOR	TCS5073-27-4151
J15	6510003400	CONNECTOR	B04B-EH-S
J16	6510003430	CONNECTOR	B07B-EH-S
J19	6510017660	CONNECTOR	52045-1645
J20	6510003390	CONNECTOR	B03B-EH-S
J22	6510017650	CONNECTOR	52045-1045
J23	6510003400	CONNECTOR	B04B-EH-S
J29	6510018150	S.CONNECTOR	4-175638-0
J30	6510017950	S.CONNECTOR	4-175638-4
J31	6510023120	CONNECTOR	DCD6109SA1J0 [GMDSS]
J32	6510010020	CONNECTOR	RTB-1.5-2F
J33	6450001560	CONNECTOR	PD-72
S9	2220000520	SWITCH	ESD-11V120
S11	2220000520	SWITCH	ESD-11V120
T1	5920000570	TRANSFORMER	12T01 [GMDSS]
T2	5920000570	TRANSFORMER	12T01 [GMDSS]
T3	5920000570	TRANSFORMER	12T01 [GMDSS]
T4	5920000570	TRANSFORMER	12T01 [GMDSS]
W1	7120000470	JUMPER	ERDS2T0
W10	7030003860	S.RESISTOR	ERJ3GE JPW V [GEN]
W11	7120000010	JUMPER	JPW 02A [Others]
W12	7030003860	S.RESISTOR	ERJ3GE JPW V [Others]
W13	7120000010	JUMPER	JPW 02A [Others]
W14	7030003860	S.RESISTOR	ERJ3GE JPW V [Others]
W17	7030003860	S.RESISTOR	ERJ3GE JPW V [Others]

[GEN]: [GEN-21], [GEN-22], [GEN-23] [EUR]: [EUR-21], [EUR-22]
 [GMDSS]: [GEN-23], [EUR-22] [Others]: [GEN-21], [GEN-22], [EUR-21]

S.=Surface mount

[MAIN UNIT]

REF NO.	ORDER NO.	DESCRIPTION	
W18	7030003860	S.RESISTOR	ERJ3GE JPW V
W23	7030003860	S.RESISTOR	ERJ3GE JPW V
W24	7030003860	S.RESISTOR	ERJ3GE JPW V
W25	7030003860	S.RESISTOR	ERJ3GE JPW V
W27	7030003860	S.RESISTOR	ERJ3GE JPW V
W30	7030003860	S.RESISTOR	ERJ3GE JPW V
W31	7030003860	S.RESISTOR	ERJ3GE JPW V
W33	7030003860	S.RESISTOR	ERJ3GE JPW V
W34	7030003860	S.RESISTOR	ERJ3GE JPW V
EP1	0910049858	PCB	B 4248R

[PLL UNIT]

REF NO.	ORDER NO.	DESCRIPTION	
L3024	6190001550	COIL	MC138-E544GN-110272
L3026	6200003260	S.COIL	NL 322522T-101J
L3028	6200003260	S.COIL	NL 322522T-101J
L3035	6200003430	S.COIL	NL 322522T-R10J
L3036	6200003430	S.COIL	NL 322522T-R10J
L3037	6200003120	S.COIL	NL 322522T-8R2J
L3038	6200001830	S.COIL	NL 322522T-100J
L3040	6200003320	S.COIL	NL 322522T-3R3J-3
L3041	2040000490	COIL	EXC-ELDR25C
L3042	2040000490	COIL	EXC-ELDR25C
L3043	6200003420	S.COIL	NL 322522T-R15J-3
L3044	6200003430	S.COIL	NL 322522T-R10J
L3045	6180000880	COIL	LAL 03NA 100K
L3046	6200001830	S.COIL	NL 322522T-100J
L3047	6200001830	S.COIL	NL 322522T-100J

[PLL UNIT]

REF NO.	ORDER NO.	DESCRIPTION	
IC3001	1140007880	S.IC	TC190G08AF-0046-Z/SC-1246A
IC3002	1140004550	S.IC	M65343FP/SC1287
IC3003	1180001070	S.IC	TA7805F (TE16L)
IC3004	1130004830	S.IC	TC7SU04F (TE85R)
IC3005	1130007660	S.IC	LC7153M-TLM
IC3006	1130004830	S.IC	TC7SU04F (TE85R)
IC3008	1130004830	S.IC	TC7SU04F (TE85R)
Q3001	1530002600	S.TRANSISTOR	2SC4215-O (TE85R)
Q3002	1530002600	S.TRANSISTOR	2SC4215-O (TE85R)
Q3003	1560000720	S.FET	2SK2171-4-TD
Q3004	1530002600	S.TRANSISTOR	2SC4215-O (TE85R)
Q3005	1560000330	S.FET	2SK210-GR (TE85R)
Q3006	1530002690	S.TRANSISTOR	2SC4116-GR (TE85R)
Q3007	1530002600	S.TRANSISTOR	2SC4215-O (TE85R)
Q3008	1530002600	S.TRANSISTOR	2SC4215-O (TE85R)
Q3010	1530002690	S.TRANSISTOR	2SC4116-GR (TE85R)
Q3011	1530002600	S.TRANSISTOR	2SC4215-O (TE85R)
Q3021	1530002600	S.TRANSISTOR	2SC4215-O (TE85R)
Q3022	1590001330	S.TRANSISTOR	DTA114EUA T106
Q3024	1530002600	S.TRANSISTOR	2SC4215-O (TE85R)
Q3025	1530002690	S.TRANSISTOR	2SC4116-GR (TE85R)
D3001	1750000270	S.DIODE	1SS301 (TE85R)
D3002	1750000270	S.DIODE	1SS301 (TE85R)
D3003	1790000540	S.VARICAP	MA338 (TX)
D3004	1720000670	S.VARICAP	HVU17TRF
D3005	1750000070	S.DIODE	1SS226 (TE85R)
D3015	1790000490	S.DIODE	HSM88AS-TR
D3016	1790000490	S.DIODE	HSM88AS-TR
D3020	1720000670	S.VARICAP	HVU17TRF
FI3001	2020001140	S.CERAMIC	SFECA10.7MA5-A-TC
X3001	6050011400	XTAL	CR-282. (30.00000 MHz)
L3001	6200001830	S.COIL	NL 322522T-100J
L3002	6170000230	COIL	LW-25
L3003	6150004370	COIL	LS-472C (C-15045)
L3004	6150004250	COIL	LS-471A (C-14922)
L3005	6150004250	COIL	LS-471A (C-14922)
L3007	6200003260	S.COIL	NL 322522T-101J
L3008	6180001220	COIL	LAL 04NA 100K
L3009	6200003260	S.COIL	NL 322522T-101J
L3010	6200003100	S.COIL	NL 322522T-3R9J-3
L3012	6200003260	S.COIL	NL 322522T-101J
L3013	6130001850	COIL	LB-185
L3015	6200001830	S.COIL	NL 322522T-100J
L3016	6200003260	S.COIL	NL 322522T-101J
L3017	6200001830	S.COIL	NL 322522T-100J
L3019	6200001830	S.COIL	NL 322522T-100J
L3020	6170000180	COIL	LW-19
L3021	6170000230	COIL	LW-25
L3022	6200003260	S.COIL	NL 322522T-101J
L3023	6200003260	S.COIL	NL 322522T-101J

R3001	7030003580	S.RESISTOR	ERJ3GEYJ 153 V (15 kΩ)
R3002	7030003520	S.RESISTOR	ERJ3GEYJ 472 V (4.7 kΩ)
R3003	7030003400	S.RESISTOR	ERJ3GEYJ 471 V (470 Ω)
R3005	7030003280	S.RESISTOR	ERJ3GEYJ 470 V (47 Ω)
R3006	7030003320	S.RESISTOR	ERJ3GEYJ 101 V (100 Ω)
R3007	7030003600	S.RESISTOR	ERJ3GEYJ 223 V (22 kΩ)
R3008	7030003560	S.RESISTOR	ERJ3GEYJ 103 V (10 kΩ)
R3009	7030003360	S.RESISTOR	ERJ3GEYJ 221 V (220 Ω)
R3010	7070000820	RESISTOR	ERG15J 220 (22 Ω)
R3011	7030003320	S.RESISTOR	ERJ3GEYJ 101 V (100 Ω)
R3012	7030003440	S.RESISTOR	ERJ3GEYJ 102 V (1 kΩ)
R3014	7030003800	S.RESISTOR	ERJ3GEYJ 105 V (1 MΩ)
R3017	7030003440	S.RESISTOR	ERJ3GEYJ 102 V (1 kΩ)
R3018	7030003430	S.RESISTOR	ERJ3GEYJ 821 V (820 Ω)
R3019	7030003340	S.RESISTOR	ERJ3GEYJ 151 V (150 Ω)
R3020	7030005400	S.RESISTOR	RR0816P-202-D (2 kΩ)
R3021	7030005400	S.RESISTOR	RR0816P-202-D (2 kΩ)
R3022	7030005390	S.RESISTOR	RR0816P-102-D (1 kΩ)
R3023	7030005400	S.RESISTOR	RR0816P-202-D (2 kΩ)
R3024	7030005390	S.RESISTOR	RR0816P-102-D (1 kΩ)
R3025	7030005400	S.RESISTOR	RR0816P-202-D (2 kΩ)
R3026	7030005390	S.RESISTOR	RR0816P-102-D (1 kΩ)
R3027	7030005400	S.RESISTOR	RR0816P-202-D (2 kΩ)
R3028	7030005390	S.RESISTOR	RR0816P-102-D (1 kΩ)
R3029	7030005400	S.RESISTOR	RR0816P-202-D (2 kΩ)
R3030	7030005390	S.RESISTOR	RR0816P-102-D (1 kΩ)
R3031	7030005400	S.RESISTOR	RR0816P-202-D (2 kΩ)
R3032	7030005390	S.RESISTOR	RR0816P-102-D (1 kΩ)
R3033	7030005400	S.RESISTOR	RR0816P-202-D (2 kΩ)
R3034	7030005380	S.RESISTOR	RR0816P-102-B (1 kΩ)
R3035	7030005370	S.RESISTOR	RR0816P-202-B (2 kΩ)
R3036	7030005380	S.RESISTOR	RR0816P-102-B (1 kΩ)
R3037	7030005370	S.RESISTOR	RR0816P-202-B (2 kΩ)
R3038	7030005380	S.RESISTOR	RR0816P-102-B (1 kΩ)
R3039	7030005370	S.RESISTOR	RR0816P-202-B (2 kΩ)
R3040	7030005380	S.RESISTOR	RR0816P-102-B (1 kΩ)
R3041	7030005370	S.RESISTOR	RR0816P-202-B (2 kΩ)
R3042	7030005380	S.RESISTOR	RR0816P-102-B (1 kΩ)
R3043	7030005370	S.RESISTOR	RR0816P-202-B (2 kΩ)
R3044	7030003380	S.RESISTOR	ERJ3GEYJ 331 V (330 Ω)
R3045	7030003800	S.RESISTOR	ERJ3GEYJ 105 V (1 MΩ)
R3046	7030003570	S.RESISTOR	ERJ3GEYJ 123 V (12 kΩ)
R3048	7030003360	S.RESISTOR	ERJ3GEYJ 221 V (220 Ω)
R3050	7030003360	S.RESISTOR	ERJ3GEYJ 221 V (220 Ω)
R3052	7030003340	S.RESISTOR	ERJ3GEYJ 151 V (150 Ω)
R3053	7030003270	S.RESISTOR	ERJ3GEYJ 390 V (39 Ω)
R3054	7030003340	S.RESISTOR	ERJ3GEYJ 151 V (150 Ω)
R3055	7030003320	S.RESISTOR	ERJ3GEYJ 101 V (100 Ω)
R3056	7030003650	S.RESISTOR	ERJ3GEYJ 563 V (56 kΩ)
R3057	7030003360	S.RESISTOR	ERJ3GEYJ 221 V (220 Ω)
R3058	7030003250	S.RESISTOR	ERJ3GEYJ 270 V (27 Ω)
R3060	7030003320	S.RESISTOR	ERJ3GEYJ 101 V (100 Ω)
R3061	7030003680	S.RESISTOR	ERJ3GEYJ 104 V (100 kΩ)
R3062	7030003680	S.RESISTOR	ERJ3GEYJ 104 V (100 kΩ)
R3063	7030003340	S.RESISTOR	ERJ3GEYJ 151 V (150 Ω)
R3064	7030003690	S.RESISTOR	ERJ3GEYJ 124 V (120 kΩ)
R3065	7030003320	S.RESISTOR	ERJ3GEYJ 101 V (100 Ω)
R3066	7030003400	S.RESISTOR	ERJ3GEYJ 471 V (470 Ω)
R3067	7030003400	S.RESISTOR	ERJ3GEYJ 471 V (470 Ω)
R3068	7030003320	S.RESISTOR	ERJ3GEYJ 101 V (100 Ω)
R3069	7030003480	S.RESISTOR	ERJ3GEYJ 222 V (2.2 kΩ)
R3070	7030003400	S.RESISTOR	ERJ3GEYJ 471 V (470 Ω)
R3071	7030003320	S.RESISTOR	ERJ3GEYJ 101 V (100 Ω)
R3072	7030003640	S.RESISTOR	ERJ3GEYJ 473 V (47 kΩ)
R3074	7030003600	S.RESISTOR	ERJ3GEYJ 223 V (22 kΩ)

[GEN]: [GEN-21], [GEN-22], [GEN-23] [EUR]: [EUR-21], [EUR-22]
 [GMDSS]: [GEN-23], [EUR-22] [Others]: [GEN-21], [GEN-22], [EUR-21]

S.=Surface mount

[PLL UNIT]

REF NO.	ORDER NO.	DESCRIPTION	
R3077	7030003430	S.RESISTOR	ERJ3GEYJ 821 V (820 Ω)
R3079	7030003800	S.RESISTOR	ERJ3GEYJ 105 V (1 MΩ)
R3080	7030003650	S.RESISTOR	ERJ3GEYJ 563 V (56 kΩ)
R3081	7030003520	S.RESISTOR	ERJ3GEYJ 472 V (4.7 kΩ)
R3082	7030003380	S.RESISTOR	ERJ3GEYJ 331 V (330 Ω)
R3083	7030003360	S.RESISTOR	ERJ3GEYJ 221 V (220 Ω)
R3084	7030003480	S.RESISTOR	ERJ3GEYJ 222 V (2.2 kΩ)
R3085	7030003280	S.RESISTOR	ERJ3GEYJ 470 V (47 Ω)
R3086	7030003560	S.RESISTOR	ERJ3GEYJ 103 V (10 kΩ)
R3087	7030003240	S.RESISTOR	ERJ3GEYJ 220 V (22 Ω)
R3090	7030003520	S.RESISTOR	ERJ3GEYJ 472 V (4.7 kΩ)
R3091	7030003440	S.RESISTOR	ERJ3GEYJ 102 V (1 kΩ)
R3092	7030003320	S.RESISTOR	ERJ3GEYJ 101 V (100 Ω)
R3093	7030003630	S.RESISTOR	ERJ3GEYJ 393 V (39 kΩ)
R3095	7030003520	S.RESISTOR	ERJ3GEYJ 472 V (4.7 kΩ)
R3097	7030003640	S.RESISTOR	ERJ3GEYJ 473 V (47 kΩ)
R3098	7030003640	S.RESISTOR	ERJ3GEYJ 473 V (47 kΩ)
R3099	7030003320	S.RESISTOR	ERJ3GEYJ 101 V (100 Ω)
R3100	7030003350	S.RESISTOR	ERJ3GEYJ 181 V (180 Ω)
R3103	7030003280	S.RESISTOR	ERJ3GEYJ 470 V (47 Ω)
R3104	7030003400	S.RESISTOR	ERJ3GEYJ 471 V (470 Ω)
R3105	7030003430	S.RESISTOR	ERJ3GEYJ 821 V (820 Ω)
R3120	7030005400	S.RESISTOR	RR0816P-202-D (2 kΩ)
R3121	7030005400	S.RESISTOR	RR0816P-202-D (2 kΩ)
R3122	7030005390	S.RESISTOR	RR0816P-102-D (1 kΩ)
R3123	7030005400	S.RESISTOR	RR0816P-202-D (2 kΩ)
R3124	7030005390	S.RESISTOR	RR0816P-102-D (1 kΩ)
R3125	7030005400	S.RESISTOR	RR0816P-202-D (2 kΩ)
R3126	7030005390	S.RESISTOR	RR0816P-102-D (1 kΩ)
R3127	7030005400	S.RESISTOR	RR0816P-202-D (2 kΩ)
R3128	7030005390	S.RESISTOR	RR0816P-102-D (1 kΩ)
R3129	7030005400	S.RESISTOR	RR0816P-202-D (2 kΩ)
R3130	7030005390	S.RESISTOR	RR0816P-102-D (1 kΩ)
R3131	7030005400	S.RESISTOR	RR0816P-202-D (2 kΩ)
R3132	7030005390	S.RESISTOR	RR0816P-102-D (1 kΩ)
R3133	7030005400	S.RESISTOR	RR0816P-202-D (2 kΩ)
R3134	7030005380	S.RESISTOR	RR0816P-102-B (1 kΩ)
R3135	7030005370	S.RESISTOR	RR0816P-202-B (2 kΩ)
R3136	7030005380	S.RESISTOR	RR0816P-102-B (1 kΩ)
R3137	7030005370	S.RESISTOR	RR0816P-202-B (2 kΩ)
R3138	7030005380	S.RESISTOR	RR0816P-102-B (1 kΩ)
R3139	7030005370	S.RESISTOR	RR0816P-202-B (2 kΩ)
R3140	7030003440	S.RESISTOR	ERJ3GEYJ 102 V (1 kΩ)
R3141	7030003440	S.RESISTOR	ERJ3GEYJ 102 V (1 kΩ)
R3142	7030003440	S.RESISTOR	ERJ3GEYJ 102 V (1 kΩ)
R3143	7030003440	S.RESISTOR	ERJ3GEYJ 102 V (1 kΩ)
R3144	7030003440	S.RESISTOR	ERJ3GEYJ 102 V (1 kΩ)
R3145	7030003440	S.RESISTOR	ERJ3GEYJ 102 V (1 kΩ)
R3146	7030003440	S.RESISTOR	ERJ3GEYJ 102 V (1 kΩ)
R3147	7030003440	S.RESISTOR	ERJ3GEYJ 102 V (1 kΩ)
R3148	7030003440	S.RESISTOR	ERJ3GEYJ 102 V (1 kΩ)
R3168	7030003520	S.RESISTOR	ERJ3GEYJ 472 V (4.7 kΩ)
R3173	7030003320	S.RESISTOR	ERJ3GEYJ 101 V (100 Ω)
R3174	7030003380	S.RESISTOR	ERJ3GEYJ 331 V (330 Ω)
R3176	7030003640	S.RESISTOR	ERJ3GEYJ 473 V (47 kΩ)
R3177	7030003640	S.RESISTOR	ERJ3GEYJ 473 V (47 kΩ)
R3178	7030003640	S.RESISTOR	ERJ3GEYJ 473 V (47 kΩ)
R3179	7030003640	S.RESISTOR	ERJ3GEYJ 473 V (47 kΩ)
R3180	7030003640	S.RESISTOR	ERJ3GEYJ 473 V (47 kΩ)
R3181	7030003640	S.RESISTOR	ERJ3GEYJ 473 V (47 kΩ)
R3183	7030003640	S.RESISTOR	ERJ3GEYJ 473 V (47 kΩ)
R3184	7030003640	S.RESISTOR	ERJ3GEYJ 473 V (47 kΩ)
R3186	7030003360	S.RESISTOR	ERJ3GEYJ 221 V (220 Ω)
R3187	7030003640	S.RESISTOR	ERJ3GEYJ 473 V (47 kΩ)
R3188	7030003440	S.RESISTOR	ERJ3GEYJ 102 V (1 kΩ)
R3189	7030003440	S.RESISTOR	ERJ3GEYJ 102 V (1 kΩ)
R3190	7030003440	S.RESISTOR	ERJ3GEYJ 102 V (1 kΩ)
R3191	7030003440	S.RESISTOR	ERJ3GEYJ 102 V (1 kΩ)
R3193	7030003430	S.RESISTOR	ERJ3GEYJ 821 V (820 Ω)
R3194	7030003460	S.RESISTOR	ERJ3GEYJ 152 V (1.5 kΩ)
R3195	7030003380	S.RESISTOR	ERJ3GEYJ 331 V (330 Ω)
R3196	7030003400	S.RESISTOR	ERJ3GEYJ 471 V (470 Ω)
R3197	7030003490	S.RESISTOR	ERJ3GEYJ 272 V (2.7 kΩ)
R3198	7030003320	S.RESISTOR	ERJ3GEYJ 101 V (100 Ω)
R3199	7030003360	S.RESISTOR	ERJ3GEYJ 221 V (220 Ω)
R3200	7030003360	S.RESISTOR	ERJ3GEYJ 221 V (220 Ω)
R3201	7030003680	S.RESISTOR	ERJ3GEYJ 104 V (100 kΩ)
R3211	7030003440	S.RESISTOR	ERJ3GEYJ 102 V (1 kΩ)
R3220	7030004040	S.RESISTOR	ERJ3GEYJ 4R7 V (4.7 Ω)
R3221	7030003840	S.RESISTOR	ERJ3GEYJ 225 V (2.2 MΩ)
R3222	7030003220	S.RESISTOR	ERJ3GEYJ 150 V (15 Ω)
R3223	7310002800	S.TRIMMER	RV-156 (RH03A3AJ5) 224

[PLL UNIT]

REF NO.	ORDER NO.	DESCRIPTION	
C3001	4030008320	S.CERAMIC	C1608 UJ 1H 470J-T
C3002	4030006880	S.CERAMIC	C1608 JB 1H 472K-T
C3003	4030018710	S.CERAMIC	GRM1882S1H820JZ01D
C3004	4030007630	S.CERAMIC	C1608 RH 1H 121J-T
C3005	4030006880	S.CERAMIC	C1608 JB 1H 472K-T
C3006	4510005600	S.ELECTROLYTIC	ECEV1CS100SR
C3007	4030006860	S.CERAMIC	C1608 JB 1H 102K-T
C3008	4030006880	S.CERAMIC	C1608 JB 1H 472K-T
C3009	4030007030	S.CERAMIC	C1608 CH 1H 150J-T
C3010	4030006910	S.CERAMIC	C1608 CH 1H 0R5C-T
C3011	4030007030	S.CERAMIC	C1608 CH 1H 150J-T
C3012	4510004630	S.ELECTROLYTIC	ECEV1CA100SR
C3013	4030006880	S.CERAMIC	C1608 JB 1H 472K-T
C3014	4030006860	S.CERAMIC	C1608 JB 1H 102K-T
C3015	4510005600	S.ELECTROLYTIC	ECEV1CS100SR
C3016	4030006880	S.CERAMIC	C1608 JB 1H 472K-T
C3017	4510004630	S.ELECTROLYTIC	ECEV1CA100SR
C3018	4510004640	S.ELECTROLYTIC	ECEV1CA470SP
C3019	4030006880	S.CERAMIC	C1608 JB 1H 472K-T
C3020	4030006860	S.CERAMIC	C1608 JB 1H 102K-T
C3021	4030006880	S.CERAMIC	C1608 JB 1H 472K-T
C3023	4510004640	S.ELECTROLYTIC	ECEV1CA470SP
C3024	4030006880	S.CERAMIC	C1608 JB 1H 472K-T
C3025	4030006880	S.CERAMIC	C1608 JB 1H 472K-T
C3026	4030006880	S.CERAMIC	C1608 JB 1H 472K-T
C3027	4030006880	S.CERAMIC	C1608 JB 1H 472K-T
C3030	4030006880	S.CERAMIC	C1608 JB 1H 472K-T
C3031	4030010070	S.CERAMIC	C1608 X7S 1C 104K-T
C3032	4030010070	S.CERAMIC	C1608 X7S 1C 104K-T
C3033	4030006880	S.CERAMIC	C1608 JB 1H 472K-T
C3034	4030006880	S.CERAMIC	C1608 JB 1H 472K-T
C3035	4030006880	S.CERAMIC	C1608 JB 1H 472K-T
C3036	4030006880	S.CERAMIC	C1608 JB 1H 472K-T
C3037	4030006880	S.CERAMIC	C1608 JB 1H 472K-T
C3038	4030006880	S.CERAMIC	C1608 JB 1H 472K-T
C3039	4030010000	S.CERAMIC	C1608 CH 1H 510J-T
C3040	4030006960	S.CERAMIC	C1608 CH 1H 050C-T
C3041	4030010000	S.CERAMIC	C1608 CH 1H 510J-T
C3042	4030006880	S.CERAMIC	C1608 JB 1H 472K-T
C3043	4030006860	S.CERAMIC	C1608 JB 1H 102K-T
C3044	4550000730	S.TANTALUM	TEESVA 0J 225M8L
C3045	4030007010	S.CERAMIC	C1608 CH 1H 100D-T
C3046	4030007080	S.CERAMIC	C1608 CH 1H 390J-T
C3047	4030006880	S.CERAMIC	C1608 JB 1H 472K-T
C3048	4030018020	S.CERAMIC	C1608 CH 1H 910J-T
C3049	4610001820	S.TRIMMER	TZB4P300AB10R00
C3050	4030007150	S.CERAMIC	C1608 CH 1H 151J-T
C3052	4030006880	S.CERAMIC	C1608 JB 1H 472K-T
C3053	4510005600	S.ELECTROLYTIC	ECEV1CS100SR
C3054	4030007150	S.CERAMIC	C1608 CH 1H 151J-T
C3055	4030007150	S.CERAMIC	C1608 CH 1H 151J-T
C3056	4030007010	S.CERAMIC	C1608 CH 1H 100D-T
C3059	4030006880	S.CERAMIC	C1608 JB 1H 472K-T
C3060	4030006880	S.CERAMIC	C1608 JB 1H 472K-T
C3061	4030006880	S.CERAMIC	C1608 JB 1H 472K-T
C3062	4510005600	S.ELECTROLYTIC	ECEV1CS100SR
C3063	4030006880	S.CERAMIC	C1608 JB 1H 472K-T
C3064	4030006880	S.CERAMIC	C1608 JB 1H 472K-T
C3065	4030006880	S.CERAMIC	C1608 JB 1H 472K-T
C3066	4030006860	S.CERAMIC	C1608 JB 1H 102K-T
C3067	4030006880	S.CERAMIC	C1608 JB 1H 472K-T
C3068	4030006880	S.CERAMIC	C1608 JB 1H 472K-T
C3069	4030006880	S.CERAMIC	C1608 JB 1H 472K-T
C3070	4030006880	S.CERAMIC	C1608 JB 1H 472K-T
C3071	4030007130	S.CERAMIC	C1608 CH 1H 101J-T
C3072	4030006880	S.CERAMIC	C1608 JB 1H 472K-T
C3073	4510005600	S.ELECTROLYTIC	ECEV1CS100SR
C3077	4030006880	S.CERAMIC	C1608 JB 1H 472K-T
C3083	4030006860	S.CERAMIC	C1608 JB 1H 102K-T
C3084	4550006050	S.TANTALUM	TEESVA 0J 106M8L
C3085	4550006110	S.TANTALUM	TEESVB2 0J 336M8L
C3086	4340000100	S.MYLAR	ECHU 1C 473J85
C3087	4510005600	S.ELECTROLYTIC	ECEV1CS100SR
C3088	4030010070	S.CERAMIC	C1608 X7S 1C 104K-T
C3089	4030006880	S.CERAMIC	C1608 JB 1H 472K-T
C3090	4030006860	S.CERAMIC	C1608 JB 1H 102K-T
C3091	4030007140	S.CERAMIC	C1608 CH 1H 121J-T
C3092	4030011340	S.CERAMIC	C1608 CH 1H 471J-T
C3093	4510004590	ELECTROLYTIC	16 MV 470 HC
C3094	4030006860	S.CERAMIC	C1608 JB 1H 102K-T
C3095	4030010070	S.CERAMIC	C1608 X7S 1C 104K-T
C3096	4510004590	ELECTROLYTIC	16 MV 470 HC

[GEN]: [GEN-21], [GEN-22], [GEN-23] [EUR]: [EUR-21], [EUR-22]

[GMDSS]: [GEN-23], [EUR-22] [Others]: [GEN-21], [GEN-22], [EUR-21]

S.=Surface mount

[PLL UNIT]

REF NO.	ORDER NO.	DESCRIPTION	
C3097	4030006880	S.CERAMIC	C1608 JB 1H 472K-T
C3098	4030006920	S.CERAMIC	C1608 CH 1H 010C-T
C3099	4030006860	S.CERAMIC	C1608 JB 1H 102K-T
C3100	4030006880	S.CERAMIC	C1608 JB 1H 472K-T
C3101	4030006930	S.CERAMIC	C1608 CH 1H 020C-T
C3102	4030006880	S.CERAMIC	C1608 JB 1H 472K-T
C3105	4030006860	S.CERAMIC	C1608 JB 1H 102K-T
C3106	4030006880	S.CERAMIC	C1608 JB 1H 472K-T
C3109	4030006880	S.CERAMIC	C1608 JB 1H 472K-T
C3110	4030006880	S.CERAMIC	C1608 JB 1H 472K-T
C3111	4030006880	S.CERAMIC	C1608 JB 1H 472K-T
C3124	4030007090	S.CERAMIC	C1608 CH 1H 470J-T
C3125	4030006860	S.CERAMIC	C1608 JB 1H 102K-T
C3129	4030006880	S.CERAMIC	C1608 JB 1H 472K-T
C3130	4030007110	S.CERAMIC	C1608 CH 1H 680J-T
C3132	4030006960	S.CERAMIC	C1608 CH 1H 050C-T
C3133	4030006880	S.CERAMIC	C1608 JB 1H 472K-T
C3135	4030007060	S.CERAMIC	C1608 CH 1H 270J-T
C3136	4030007020	S.CERAMIC	C1608 CH 1H 120J-T
C3137	4030007060	S.CERAMIC	C1608 CH 1H 270J-T
C3138	4030006980	S.CERAMIC	C1608 CH 1H 070D-T
C3139	4030007040	S.CERAMIC	C1608 CH 1H 180J-T
C3141	4030006880	S.CERAMIC	C1608 JB 1H 472K-T
C3142	4030006880	S.CERAMIC	C1608 JB 1H 472K-T
C3143	4030006880	S.CERAMIC	C1608 JB 1H 472K-T
C3144	4030006880	S.CERAMIC	C1608 JB 1H 472K-T
C3145	4030006880	S.CERAMIC	C1608 JB 1H 472K-T
C3154	4030007040	S.CERAMIC	C1608 CH 1H 180J-T
C3155	4030007000	S.CERAMIC	C1608 CH 1H 090D-T
C3156	4030007060	S.CERAMIC	C1608 CH 1H 270J-T
C3157	4030006960	S.CERAMIC	C1608 CH 1H 050C-T
C3158	4030008560	S.CERAMIC	C1608 CH 1H 300J-T
C3161	4030006880	S.CERAMIC	C1608 JB 1H 472K-T
C3164	4030006880	S.CERAMIC	C1608 JB 1H 472K-T
C3165	4030006880	S.CERAMIC	C1608 JB 1H 472K-T
C3170	4030007090	S.CERAMIC	C1608 CH 1H 470J-T
C3171	4030011280	S.CERAMIC	C1608 CH 1H 271J-T
C3173	4030006880	S.CERAMIC	C1608 JB 1H 472K-T
C3174	4030006880	S.CERAMIC	C1608 JB 1H 472K-T
C3175	4030006880	S.CERAMIC	C1608 JB 1H 472K-T
C3177	4030006880	S.CERAMIC	C1608 JB 1H 472K-T
C3178	4030006880	S.CERAMIC	C1608 JB 1H 472K-T
C3179	4030006880	S.CERAMIC	C1608 JB 1H 472K-T
C3180	4030006880	S.CERAMIC	C1608 JB 1H 472K-T
C3181	4030006880	S.CERAMIC	C1608 JB 1H 472K-T
C3182	4030006860	S.CERAMIC	C1608 JB 1H 102K-T
C3183	4030007130	S.CERAMIC	C1608 CH 1H 101J-T
C3201	4030007060	S.CERAMIC	C1608 CH 1H 270J-T
C3202	4030007010	S.CERAMIC	C1608 CH 1H 100D-T
C3203	4030006960	S.CERAMIC	C1608 CH 1H 050C-T
C3204	4030006880	S.CERAMIC	C1608 JB 1H 472K-T
C3205	4030007090	S.CERAMIC	C1608 CH 1H 470J-T
J3001	6510007900	CONNECTOR	TBP-P01X-A1 (B1)
J3002	6510007900	CONNECTOR	TBP-P01X-A1 (B1)
J3003	6510007900	CONNECTOR	TBP-P01X-A1 (B1)
J3004	6510003080	CONNECTOR	RT01T-1.0B
J3005	6510003080	CONNECTOR	RT01T-1.0B
J3006	6910003140	CONNECTOR	IMSA-9202B-1-02T
J3007	6510017660	CONNECTOR	52045-1645
P3001	6510003240	CONNECTOR	TMP-P01X-A1
P3002	6510003240	CONNECTOR	TMP-P01X-A1
P3003	6510003240	CONNECTOR	TMP-P01X-A1
P3004	6910003120	CONNECTOR	IMSA-9206H-T
W3001	9009130165	WIRE	62/99/200/C24/C31
W3002	9086700300	WIRE	08
W3003	9009130165	WIRE	62/99/200/C24/C31
W3004	9086700300	WIRE	08
W3005	9009130165	WIRE	62/99/200/C24/C31
W3006	9086700300	WIRE	08
W3007	7030003860	S.RESISTOR	ERJ3GE JPW V
W3010	7030003860	S.RESISTOR	ERJ3GE JPW V
W3011	7030003860	S.RESISTOR	ERJ3GE JPW V
EP3001	0910044669	PCB	B 4249I
EP3002	6910000630	BEAD	FSOH070RN

[PA UNIT]

REF NO.	ORDER NO.	DESCRIPTION	
J4601	6510000370	CONNECTOR	MR-DS
F4601	5220000210	HOLDER	FH-052S
F4602	5220000210	HOLDER	FH-052S
F4603	5210000090	FUSE	FGB 30A (FGB0 125V)
F4604	5210000090	FUSE	FGB 30A (FGB0 125V)
W4603	8900005701	CABLE	OPC-569A
W4604	8900005770	CABLE	OPC-564 (N:16 L:220)
W4605	8900005780	CABLE	OPC-565 (N:10 L:220) [Other]
			OPC-627 [EUR]
WS1	8970022010	M.OTHER	SX1632 1.5D COAXIAL TUBE (1)
EP4603	6910000340	SHEET	P101 KD [EUR]
EP4604	6910000340	SHEET	P101 KD [EUR]
EP4605	6910000340	SHEET	P101 KD
EP4607	6910000310	INSULATOR	B312D [EUR]
EP4608	6910000310	INSULATOR	B312D [EUR]
EP4609	6910000310	INSULATOR	B312D
EP4611	8930024970	SHEET	1241 SHEET [EUR]
EP4612	8930024970	SHEET	1241 SHEET [EUR]
EP4614	9017680190	TUBE	10 (d) L=25 mm [GEN-23]

[FILTER BOARD]

REF NO.	ORDER NO.	DESCRIPTION	
Q4301	1590002190	TRANSISTOR	DTC114ES TP
D4301	1710000060	DIODE	1SS55-T4
D4302	1710000060	DIODE	1SS55-T4
D4303	1710000060	DIODE	1SS55-T4
D4304	1710000060	DIODE	1SS55-T4
D4305	1710000060	DIODE	1SS55-T4
D4306	1710000060	DIODE	1SS55-T4
D4307	1710000060	DIODE	1SS55-T4
D4308	1710000060	DIODE	1SS55-T4
D4309	1710000980	DIODE	MBD701
D4310	1710000980	DIODE	MBD701
D4311	1710000060	DIODE	1SS55-T4
L4301	6180000900	COIL	LAL 03NA 101K
L4302	6140001990	COIL	LR-226 (T68-2)
L4303	6140002000	COIL	LR-227 (T68-2)
L4304	6180000900	COIL	LAL 03NA 101K
L4305	6180000900	COIL	LAL 03NA 101K
L4306	6140002900	COIL	LR-263 <KN>
L4307	6140002820	COIL	LR-235 <KN>
L4308	6140002830	COIL	LR-236 <KN>
L4309	6180000900	COIL	LAL 03NA 101K
L4310	6180000900	COIL	LAL 03NA 101K
L4311	6140002850	COIL	LR-238 <KN>
L4312	6140002820	COIL	LR-235 <KN>
L4313	6140002820	COIL	LR-235 <KN>
L4314	6180000900	COIL	LAL 03NA 101K
L4315	6180000900	COIL	LAL 03NA 101K
L4316	6140002840	COIL	LR-237 <KN>
L4317	6140002900	COIL	LR-263 <KN>
L4318	6140002900	COIL	LR-263 <KN>
L4319	6180000900	COIL	LAL 03NA 101K
L4320	6180000900	COIL	LAL 03NA 101K
L4321	6140002860	COIL	LR-241 <KN>
L4322	6140002840	COIL	LR-237 <KN>
L4323	6140002840	COIL	LR-237 <KN>
L4324	6180000900	COIL	LAL 03NA 101K
L4325	6180000900	COIL	LAL 03NA 101K
L4327	6140002880	COIL	LR-243 <KN>
L4328	6140002870	COIL	LR-242 <KN>
L4329	6140002870	COIL	LR-242 <KN>
L4330	6180000900	COIL	LAL 03NA 101K

[GEN]: [GEN-21], [GEN-22], [GEN-23] [EUR]: [EUR-21], [EUR-22]

[GMDSS]: [GEN-23], [EUR-22] [Others]: [GEN-21], [GEN-22], [EUR-21]

S.=Surface mount

[FILTER BOARD]

REF NO.	ORDER NO.	DESCRIPTION	
L4331	6180000900	COIL	LAL 03NA 101K
L4332	6140003580	COIL	LR-399 (3.5%)
L4333	6140002290	COIL	LR-242L4334
L4334	6180000900	COIL	LAL 03NA 101K
L4335	6180000900	COIL	LAL 03NA 101K
L4336	6140002890	COIL	LR-262 <KN>
L4337	6140002890	COIL	LR-262 <KN>
L4338	6180000900	COIL	LAL 03NA 101K
L4339	6180000900	COIL	LAL 03NA 101K
L4340	6180000900	COIL	LAL 03NA 101K
L4341	6140002530	COIL	LR-291 (TR10X5X5 3A6)
L4342	6140001460	COIL	LR-170
L4343	6180000900	COIL	LAL 03NA 101K
L4344	6180000900	COIL	LAL 03NA 101K
L4345	6140002830	COIL	LR-236 <KN>
L4346	6140003570	COIL	LR-398 (3.5%)
R4301	7010004372	RESISTOR	PSD1/4 22 kΩ
R4302	7010007240	RESISTOR	PSD1/4V 100 KΩ
R4303	7010006980	RESISTOR	PSD1/4 10 KΩ
R4304	7010007240	RESISTOR	PSD1/4V 100 KΩ
R4305	7010007180	RESISTOR	PSD1/4V 22 KΩ
R4306	7010006980	RESISTOR	PSD1/4 10 KΩ
R4307	7010004701	RESISTOR	PSD1/2 68 Ω
R4308	7010000911	RESISTOR	R25X T-24J 10 Ω
R4309	7540000010	ABSORBER	DSA-301LA
R4312	7010004272	RESISTOR	PSD1/4 4.7 kΩ
R4313	7010007140	RESISTOR	PSD1/4V 4.7KΩ
R4314	7010007290	RESISTOR	PSD1/4V 1 MΩ
C4301	4020000980	CYLINDER	UP050 B 104K-NA-CZ
C4302	4320000651	DIP MICA	KD20C 102J5A
C4303	4010006410	CERAMIC	HM13SJ SL 471J 500V
C4304	4010006410	CERAMIC	HM13SJ SL 471J 500V
C4305	4320000981	DIP MICA	KD20C 222J5A
C4306	4010005360	CERAMIC	HM11SJ SL 301J 500V
C4307	4010005880	CERAMIC	HM95SJ SL 271J 500V
C4308	4320000951	DIP MICA	KD20C 272J5A
C4309	4010005850	CERAMIC	HM95SJ SL 181J 500V
C4310	4010005480	CERAMIC	HM60SJ CH 100D 500V
C4311	4010005930	CERAMIC	HM11SJ SL 391J 500V
C4312	4010005930	CERAMIC	HM11SJ SL 391J 500V
C4313	4010005370	CERAMIC	HM11SJ SL 331J 500V
C4314	4010005930	CERAMIC	HM11SJ SL 391J 500V
C4315	4020000980	CYLINDER	UP050 B 104K-NA-CZ
C4316	4020000980	CYLINDER	UP050 B 104K-NA-CZ
C4317	4010005690	CERAMIC	HM60SJ SL 300J 500V
C4318	4010005370	CERAMIC	HM11SJ SL 331J 500V
C4319	4010006410	CERAMIC	HM13SJ SL 471J 500V
C4320	4010005370	CERAMIC	HM11SJ SL 331J 500V
C4321	4010005880	CERAMIC	HM95SJ SL 271J 500V
C4322	4010005880	CERAMIC	HM95SJ SL 271J 500V
C4323	4010005880	CERAMIC	HM95SJ SL 271J 500V
C4324	4010006410	CERAMIC	HM13SJ SL 471J 500V
C4325	4010006410	CERAMIC	HM13SJ SL 471J 500V
C4326	4010006410	CERAMIC	HM13SJ SL 471J 500V
C4327	4010005880	CERAMIC	HM95SJ SL 271J 500V
C4328	4010005370	CERAMIC	HM11SJ SL 331J 500V
C4329	4010005370	CERAMIC	HM11SJ SL 331J 500V
C4330	4010006410	CERAMIC	HM13SJ SL 471J 500V
C4331	4010005930	CERAMIC	HM11SJ SL 391J 500V
C4332	4010005370	CERAMIC	HM11SJ SL 331J 500V
C4333	4010005820	CERAMIC	HM74SJ SL 121J 500V
C4334	4010005820	CERAMIC	HM74SJ SL 121J 500V
C4335	4010005930	CERAMIC	HM11SJ SL 391J 500V
C4336	4010005930	CERAMIC	HM11SJ SL 391J 500V
C4337	4010005750	CERAMIC	HM60SJ SL 680J 500V
C4338	4020000980	CYLINDER	UP050 B 104K-NA-CZ
C4339	4010006900	CERAMIC	HE80SJ YB 472K 50V
C4340	4010005870	CERAMIC	HM95SJ SL 221J 500V
C4341	4010005370	CERAMIC	HM11SJ SL 331J 500V
C4342	4010005370	CERAMIC	HM11SJ SL 331J 500V
C4343	4010005930	CERAMIC	HM11SJ SL 391J 500V
C4344	4010005830	CERAMIC	HM74SJ SL 151J 500V
C4345	4010005370	CERAMIC	HM11SJ SL 331J 500V
C4346	4010006410	CERAMIC	HM13SJ SL 471J 500V
C4347	4010005780	CERAMIC	HM60SJ SL 101J 500V
C4348	4010005360	CERAMIC	HM11SJ SL 301J 500V
C4349	4010006900	CERAMIC	HE80SJ YB 472K 50V
C4350	4010006900	CERAMIC	HE80SJ YB 472K 50V

[FILTER BOARD]

REF NO.	ORDER NO.	DESCRIPTION	
C4351	4010005850	CERAMIC	HM95SJ SL 181J 500V
C4352	4010005370	CERAMIC	HM11SJ SL 331J 500V
C4353	4010005820	CERAMIC	HM74SJ SL 121J 500V
C4354	4010005880	CERAMIC	HM95SJ SL 271J 500V
C4355	4010005360	CERAMIC	HM11SJ SL 301J 500V
C4356	4010005740	CERAMIC	HM60SJ SL 560J 500V
C4357	4010005560	CERAMIC	HM60SJ SL 050C 500V
C4358	4010005360	CERAMIC	HM11SJ SL 301J 500V
C4359	4010006900	CERAMIC	HE80SJ YB 472K 50V
C4360	4010006900	CERAMIC	HE80SJ YB 472K 50V
C4361	4010005930	CERAMIC	HM11SJ SL 391J 500V
C4362	4010005820	CERAMIC	HM74SJ SL 121J 500V
C4363	4010005930	CERAMIC	HM11SJ SL 391J 500V
C4364	4010005770	CERAMIC	HM60SJ SL 820J 500V
C4365	4010005870	CERAMIC	HM95SJ SL 221J 500V
C4366	4010006900	CERAMIC	HE80SJ YB 472K 50V
C4367	4010006900	CERAMIC	HE80SJ YB 472K 50V
C4368	4010005880	CERAMIC	HM95SJ SL 271J 500V
C4369	4010008600	CERAMIC	HP74SJ SL 101J 1KV
C4370	4010005370	CERAMIC	HM11SJ SL 331J 500V
C4371	4010005750	CERAMIC	HM60SJ SL 680J 500V
C4372	4010005770	CERAMIC	HM60SJ SL 820J 500V
C4373	4010006900	CERAMIC	HE80SJ YB 472K 50V
C4374	4010006900	CERAMIC	HE80SJ YB 472K 50V
C4377	4010005860	CERAMIC	HM95SJ SL 201J 500V
C4378	4010008610	CERAMIC	HP60SJ SL 470J 1KV
C4379	4010005870	CERAMIC	HM95SJ SL 221J 500V
C4380	4010006900	CERAMIC	HE80SJ YB 472K 50V
C4381	4010006900	CERAMIC	HE80SJ YB 472K 50V
C4382	4010005830	CERAMIC	HM74SJ SL 151J 500V
C4383	4010005660	CERAMIC	HM60SJ SL 220J 500V
C4384	4010005360	CERAMIC	HM11SJ SL 301J 500V
C4385	4010008610	CERAMIC	HP60SJ SL 470J 1KV
C4386	4010005830	CERAMIC	HM74SJ SL 151J 500V
C4387	4010006900	CERAMIC	HE80SJ YB 472K 50V
C4388	4010006850	CERAMIC	HE40SJ YB 471K 50V
C4389	4010006850	CERAMIC	HE40SJ YB 471K 50V
C4390	4010006380	CERAMIC	HE90SJ SL 471J 50V
C4391	4010006380	CERAMIC	HE90SJ SL 471J 50V
C4392	4610002240	TRIMMER	ECR-LA030E52
C4393	4010006310	CERAMIC	HE60SJ SL 181J 50V
C4394	4010006900	CERAMIC	HE80SJ YB 472K 50V
C4395	4010006900	CERAMIC	HE80SJ YB 472K 50V
C4396	4010006900	CERAMIC	HE80SJ YB 472K 50V
C4398	4010007600	CERAMIC	HM17SJ YB 103K 500V
C4399	4010007600	CERAMIC	HM17SJ YB 103K 500V
C4400	4010006280	CERAMIC	HE50SJ SL 101J 50V
C4401	4010006110	CERAMIC	HE40SJ SL 180J 50V
C4402	4010006280	CERAMIC	HE50SJ SL 101J 50V
C4404	4010006900	CERAMIC	HE80SJ YB 472K 50V
C4406	4020000990	CYLINDER	UP050 B 473K-NA-CZ
C4407	4510006160	ELECTROLYTIC	25 MV 10 HC
C4408	4010005730	CERAMIC	HM60SJ SL 470J 500V
C4409	4010005480	CERAMIC	HM60SJ CH 100D 500V
C4410	4010005820	CERAMIC	HM74SJ SL 121J 500V
C4411	4010005480	CERAMIC	HM60SJ CH 100D 500V
C4412	4010005770	CERAMIC	HM60SJ SL 820J 500V
C4413	4010005740	CERAMIC	HM60SJ SL 560J 500V
C4414	4010005480	CERAMIC	HM60SJ CH 100D 500V
C4415	4010005780	CERAMIC	HM60SJ SL 101J 500V
C4416	4010006900	CERAMIC	HE80SJ YB 472K 50V
C4417	4010005780	CERAMIC	HM60SJ SL 101J 500V
C4420	4010005770	CERAMIC	HM60SJ SL 820J 500V
C4421	4010005660	CERAMIC	HM60SJ SL 220J 500V
C4422	4510005480	ELECTROLYTIC	50 MV 1 HC
C4423	4510005480	ELECTROLYTIC	50 MV 1 HC
C4424	4510005480	ELECTROLYTIC	50 MV 1 HC
C4425	4510005480	ELECTROLYTIC	50 MV 1 HC
C4426	4510005480	ELECTROLYTIC	50 MV 1 HC
C4427	4510005480	ELECTROLYTIC	50 MV 1 HC
C4428	4510005480	ELECTROLYTIC	50 MV 1 HC
C4429	4010005640	CERAMIC	HM60SJ SL 180J 500V
C4430	4010006900	CERAMIC	HE80SJ YB 472K 50V
C4431	4010005480	CERAMIC	HM60SJ CH 100D 500V
RL4301	330001570	RELAY	AJS1315
RL4302	6330001570	RELAY	AJS1315
RL4303	6330001570	RELAY	AJS1315
RL4304	6330001570	RELAY	AJS1315
RL4305	6330001570	RELAY	AJS1315
RL4306	6330001570	RELAY	AJS1315

[GEN]: [GEN-21], [GEN-22], [GEN-23] [EUR]: [EUR-21], [EUR-22]
 [GMDSS]: [GEN-23], [EUR-22] [Others]: [GEN-21], [GEN-22], [EUR-21]

S.=Surface mount

[FILTER BOARD]

REF NO.	ORDER NO.	DESCRIPTION	
RL4307	6330001570	RELAY	AJS1315
RL4308	6330001570	RELAY	AJS1315
RL4309	6330001570	RELAY	AJS1315
RL4310	6330001570	RELAY	AJS1315
RL4311	6330001570	RELAY	AJS1315
RL4312	6330001570	RELAY	AJS1315
RL4313	6330001570	RELAY	AJS1315
RL4314	6330001570	RELAY	AJS1315
RL4315	6330001570	RELAY	AJS1315
RL4316	6330001570	RELAY	AJS1315
RL4317	6330000780	RELAY	AGP 2013 (DSP1-DC12V)
J4303	6510018571	CONNECTOR	16FE-BT-VK-N
J4304	6510007020	CONNECTOR	TMP-J01X-V6
W4302	9019601025	JUMPER	74/98/025/X98/X98
W4303	9019601025	JUMPER	74/98/025/X98/X98
W4304	9019601025	JUMPER	74/98/025/X98/X98
W4305	9019601025	JUMPER	74/98/025/X98/X98
W4306	9019601025	JUMPER	74/98/025/X98/X98
W4307	9019601025	JUMPER	74/98/025/X98/X98
W4308	9019601025	JUMPER	74/98/025/X98/X98
W4309	9019601025	JUMPER	74/98/025/X98/X98
W4310	9019601025	JUMPER	74/98/025/X98/X98
W4312	6910001030	JUMPER	IPS-1041-4
W4313	6910001030	JUMPER	IPS-1041-4
W4314	6910001030	JUMPER	IPS-1041-4
W4315	9008503020	JUMPER	74/98/030/X98/X98
W4316	9019601025	JUMPER	74/98/025/X98/X98
W4317	9008503020	JUMPER	74/98/030/X98/X98
W4319	7120000010	JUMPER	JPW 02A
W4320	6910001030	JUMPER	IPS-1041-4
W4321	6910001030	JUMPER	IPS-1041-4
W4328	9019601025	JUMPER	74/98/025/X98/X98
W4329	7120000380	JUMPER	JPW 01 R-01
W4330	7120000010	JUMPER	JPW 02A
WS1	8970022020	M.OTHER	SX1632 1.5D COAXAL TUBE (2)
EP4301	0910045057	PCB	B 4251G

[PA150W BOARD]

REF NO.	ORDER NO.	DESCRIPTION	
IC4001	1110002030	IC	TA7808S
IC4002	1110000960	S.IC	NJM4558M-TE1
IC4003	1170000290	S.IC	PS2701-1-F3
IC4004	1170000290	S.IC	PS2701-1-F3
Q4001	1530000190	TRANSISTOR	2SC3133
Q4002	1530000190	TRANSISTOR	2SC3133
Q4003	1530000200	TRANSISTOR	2SC2904
Q4004	1530000200	TRANSISTOR	2SC2904
Q4005	1510001040	S.TRANSISTOR	2SA1037AKT146S
Q4006	1540000500	TRANSISTOR	2SD1585K
Q4007	1530001970	S.TRANSISTOR	2SC1623-T2B-L6
Q4008	1530000790	TRANSISTOR	2SC1971
D4001	790000710	VARISTOR	MA29B
D4002	1790000710	VARISTOR	MA29B
D4003	1790000710	VARISTOR	MA29B
D4004	1710000830	S.DIODE	DF30SC4M-4072 [Others]
L4001	6140002350	COIL	LR-274 (RIB4X7X5 3A6)
L4003	6140003610	COIL	LR-402
L4004	6140002980	COIL	LR-143 <KN>
L4005	2040000490	COIL	EXC-ELDR25C
L4006	6140002220	COIL	LR-270 (TR6X3X2 3A9)
L4007	2040000490	COIL	EXC-ELDR25C
L4009	6140000610	COIL	LR-83
L4010	6140002990	COIL	LR-148 <KN> [Others]
	6140003390	COIL	LR-381 <KN> [GMDSS]
L4011	2040000490	COIL	EXC-ELDR25C
L4012	6170000140	COIL	LW-15
L4013	6140003610	COIL	LR-402
L4014	6200003260	S.COIL	NL 322522T-101J
L4016	6180001220	COIL	LAL 04NA 100K
L4018	2040000490	COIL	EXC-ELDR25C
L4020	6200003260	S.COIL	NL 322522T-101J
L4021	6200003260	S.COIL	NL 322522T-101J
L4022	6200003260	S.COIL	NL 322522T-101J
L4023	6180001220	COIL	LAL 04NA 100K
R4004	7010000211	RESISTOR	PSN1/4V 47 Ω
R4005	7010000211	RESISTOR	PSN1/4V 47 Ω
R4006	7030006490	S.RESISTOR	MCR100JZHJ 68 Ω (680)
R4007	7030006490	S.RESISTOR	MCR100JZHJ 68 Ω (680)
R4008	7070000321	RESISTOR	ERX1SJ 3R3 (3.3 Ω)
R4009	7070000321	RESISTOR	ERX1SJ 3R3 (3.3 Ω)
R4010	7070000321	RESISTOR	ERX1SJ 3R3 (3.3 Ω)
R4011	7070000321	RESISTOR	ERX1SJ 3R3 (3.3 Ω)
R4012	7070000321	RESISTOR	ERX1SJ 3R3 (3.3 Ω)
R4013	7070000321	RESISTOR	ERX1SJ 3R3 (3.3 Ω)
R4014	7010004651	RESISTOR	PSD1/2 10 Ω
R4015	7010004651	RESISTOR	PSD1/2 10 Ω
R4016	7070000281	RESISTOR	ERX1SJ 2R2 (2.2 Ω)
R4017	7070000281	RESISTOR	ERX1SJ 2R2 (2.2 Ω)
R4018	7030000460	S.RESISTOR	MCR10EZHZ 4.7 kΩ
R4019	7030000460	S.RESISTOR	MCR10EZHZ 4.7 kΩ
R4020	7010004741	RESISTOR	PSD1/2 150 Ω
R4022	7310004950	TRIMMER	KVSF687AC 101 100 Ω
R4023	7070000311	RESISTOR	ERG1SJ 100 (10 Ω)
R4024	7030000290	S.RESISTOR	MCR10EZHZ 180 Ω (181)
R4025	7310004940	TRIMMER	KVSF637AC 471 470 Ω
R4026	7100000640	RESISTOR	5 SI 0.012 Ω(J)
R4027	7030000600	S.RESISTOR	MCR10EZHZ 68 kΩ
R4028	7030000600	S.RESISTOR	MCR10EZHZ 68 kΩ
R4029	7030000560	S.RESISTOR	MCR10EZHZ 33 kΩ
R4030	7030000560	S.RESISTOR	MCR10EZHZ 33 kΩ
R4031	7310004970	TRIMMER	KVSF637AC 472 4.7 kΩ
R4032	7030000740	S.RESISTOR	MCR10EZHZ 1 MΩ
R4033	7030000500	S.RESISTOR	MCR10EZHZ 10 kΩ
R4034	7010000301	RESISTOR	PSN1/4V 270 Ω
R4035	7070000251	RESISTOR	ERX2SJ 4R7 (4.7 Ω)
R4036	7010000331	RESISTOR	PSN1/4V 470 Ω
R4039	7010000091	RESISTOR	PSN1/4V 4.7 Ω
R4040	7030006500	S.RESISTOR	MCR100JZHJ 100 Ω (101)
R4044	7010000331	RESISTOR	PSN1/4V 470 Ω
R4045	7030000140	S.RESISTOR	MCR10EZHZ 10 Ω (100)
R4046	7030000290	S.RESISTOR	MCR10EZHZ 180 Ω (181)
R4047	7010000051	RESISTOR	PSN1/4V 2.2 Ω
R4048	7010000061	RESISTOR	PSN1/4V 2.7 Ω

[GEN]: [GEN-21], [GEN-22], [GEN-23] [EUR]: [EUR-21], [EUR-22]

[GMDSS]: [GEN-23], [EUR-22] [Others]: [GEN-21], [GEN-22], [EUR-21]

S.=Surface mount

[PA150W BOARD]

REF NO.	ORDER NO.	DESCRIPTION	
R4049	7010000281	RESISTOR	PSN1/4V 180 Ω
R4050	7010000411	RESISTOR	PSN1/4V 2.2 kΩ
R4051	7030000340	S.RESISTOR	MCR10EZHZ 470 Ω (471)
R4052	7030000150	S.RESISTOR	MCR10EZHZ 12 Ω (120)
R4053	7030000340	S.RESISTOR	MCR10EZHZ 470 Ω (471)
C4003	4010005360	CERAMIC	HM11SJ SL 301J 500V
C4004	4010005360	CERAMIC	HM11SJ SL 301J 500V
C4006	4310000360	MYLAR	50 F2D 103J
C4007	4310000360	MYLAR	50 F2D 103J
C4008	4030005050	S.CERAMIC	C2012 CH 1H 331J-T
C4010	4030011760	S.CERAMIC	GRM55R1X2D682JV01L
C4011	4030011760	S.CERAMIC	GRM55R1X2D682JV01L
C4012	4010006410	CERAMIC	HM13SJ SL 471J 500V
C4013	4030018370	S.CERAMIC	ERF22X 6C1H 102J D01L
C4014	4030018370	S.CERAMIC	ERF22X 6C1H 102J D01L
C4015	4030011760	S.CERAMIC	GRM55R1X2D682JV01L
C4016	4030011760	S.CERAMIC	GRM55R1X2D682JV01L
C4018	4030004740	S.CERAMIC	C2012 JB 1H 472K-T
C4019	4030004740	S.CERAMIC	C2012 JB 1H 472K-T
C4020	4510005120	ELECTROLYTIC	16 MV 47 HC
C4021	4510004990	ELECTROLYTIC	16 MV 100 HC
C4022	4030005110	S.CERAMIC	C2012 JB 1E 473K-T
C4023	4510004510	ELECTROLYTIC	25 MV 470 HC
C4024	4030005110	S.CERAMIC	C2012 JB 1E 473K-T
C4026	4510006160	ELECTROLYTIC	25 MV 10 HC
C4027	4030004740	S.CERAMIC	C2012 JB 1H 472K-T
C4028	4510004600	ELECTROLYTIC	16 MV 1000 HC
C4029	4030005110	S.CERAMIC	C2012 JB 1E 473K-T
C4030	4030005110	S.CERAMIC	C2012 JB 1E 473K-T
C4031	4030005110	S.CERAMIC	C2012 JB 1E 473K-T
C4032	4030004990	S.CERAMIC	C2012 CH 1H 101J-T
C4033	4030011790	S.CERAMIC	GRM55RF52A684ZD01L
C4034	4030004740	S.CERAMIC	C2012 JB 1H 472K-T
C4035	4510005040	ELECTROLYTIC	25 MV 1000 HC
C4036	4030004740	S.CERAMIC	C2012 JB 1H 472K-T
C4038	4030004740	S.CERAMIC	C2012 JB 1H 472K-T
C4041	4030008960	S.CERAMIC	C2012 JB 1C 104K-T
C4042	4030008960	S.CERAMIC	C2012 JB 1C 104K-T
C4043	4030008960	S.CERAMIC	C2012 JB 1C 104K-T
C4044	4030008960	S.CERAMIC	C2012 JB 1C 104K-T
C4045	4320000961	DIP MICA	KD20C 472J5A
C4046	4030004740	S.CERAMIC	C2012 JB 1H 472K-T
C4047	4030004740	S.CERAMIC	C2012 JB 1H 472K-T
C4048	4030004740	S.CERAMIC	C2012 JB 1H 472K-T
C4050	4510005040	ELECTROLYTIC	25 MV 1000 HC
C4051	4510004590	ELECTROLYTIC	16 MV 470 HC
C4052	4510006160	ELECTROLYTIC	25 MV 10 HC
C4053	4030004740	S.CERAMIC	C2012 JB 1H 472K-T
C4054	4030004740	S.CERAMIC	C2012 JB 1H 472K-T
C4055	4030018370	S.CERAMIC	ERF22X 6C1H 102J D01L
C4056	4030004740	S.CERAMIC	C2012 JB 1H 472K-T
C4057	4320000811	DIP MICA	KD20C 681J5A
C4059	4030004740	S.CERAMIC	C2012 JB 1H 472K-T
C4063	4510004590	ELECTROLYTIC	16 MV 470 HC
C4064	4030005030	S.CERAMIC	C2012 CH 1H 221J-T
C4065	4020000990	CYLINDER	UP050 B 473K-NA-CZ
C4066	4020000990	CYLINDER	UP050 B 473K-NA-CZ
C4067	4010008570	CERAMIC	RPER11H473K2K1A01
C4068	4030004740	S.CERAMIC	C2012 JB 1H 472K-T
C4069	4030005110	S.CERAMIC	C2012 JB 1E 473K-T
C4070	4030004720	S.CERAMIC	C2012 JB 1H 102K-T
C4071	4030004930	S.CERAMIC	C2012 CH 1H 330J-T
C4072	4030008960	S.CERAMIC	C2012 JB 1C 104K-T
C4073	4030008960	S.CERAMIC	C2012 JB 1C 104K-T
C4074	4030008960	S.CERAMIC	C2012 JB 1C 104K-T
C4075	4030008960	S.CERAMIC	C2012 JB 1C 104K-T
C4076	4030008960	S.CERAMIC	C2012 JB 1C 104K-T
C4077	4030004720	S.CERAMIC	C2012 JB 1H 102K-T
C4078	4030008960	S.CERAMIC	C2012 JB 1C 104K-T
C4079	4030004990	S.CERAMIC	C2012 CH 1H 101J-T
C4080	4040000260	BARRIERLAYR	UZE 08X 104M [EUR]
C4081	4040000260	BARRIERLAYR	UZE 08X 104M [EUR]
J4002	6510007020	CONNECTOR	TMP-J01X-V6
J4003	6510018381	CONNECTOR	10FE-BT-VK-N
J4004	6510003080	CONNECTOR	RT01T-1.0B
J4005	6510003080	CONNECTOR	RT01T-1.0B

[PA150W BOARD]

REF NO.	ORDER NO.	DESCRIPTION	
S4001	6910006900	THERMAL	OHD-3 110M
S4002	6910000050	THERMAL	OHD-3 50M
W4001	7120000010	JUMPER	JPW-02A [Others]
	9040300020	WIRE	15/08/065/W07/W07 [GMDSS]
W4002	7120000010	JUMPER	JPW-02A [Others]
	9040300010	WIRE	15/08/065/W07/W07 [GMDSS]
W4003	7120000010	JUMPER	JPW-02A [Others]
	9040300020	WIRE	15/08/065/W07/W07 [GMDSS]
W4004	7120000010	JUMPER	JPW-02A [Others]
	9040300020	WIRE	15/08/065/W07/W07 [GMDSS]
W4008	9045201001	WIRE	74/98/040/X98/X98
W4009	9045201001	WIRE	74/98/040/X98/X98
W4010	9040401001	JUMPER	74/98/050/X98/X98
W4011	9056000180	WIRE	74/98/080/X98/X98
WS1	8970022030	M.OTHER	SX1632 J LEAD SET (1)
WS2	8970022040	M.OTHER	SX1632 1.5D COAXIAL TUBE (1)
EP4001	0910045048	PCB	B 4250H
EP4003	6910000610	BEAD	FSRH050100RN000B
EP4004	6910000610	BEAD	FSRH050100RN000B
EP4006	6910000630	BEAD	FSRH070140RN000B
EP4008	6510018330	TERMINAL	F4053A
EP4009	6510018330	TERMINAL	F4053A
EP4010	9001602001	TUBE	IRRAX 0.7 (d) L=10 mm
EP4011	9001602001	TUBE	IRRAX 0.7 (d) L=10 mm
EP4012	9034701901	TUBE	IRRAX 0.7 (d) L=20 mm
EP4014	9029305901	TUBE	IRRAX 1 (d) L=15 mm

[TERMINAL BOARD]

REF NO.	ORDER NO.	DESCRIPTION	
D7001	1710000830	S.DIODE	DF30SC4M-4072 [GMDSS]
C7001	4510005980	ELECTROLYTIC	16 MV 4700 HC
C7002	4010006900	CERAMIC	HE80SJ YB 472K 50V
C7003	4010006890	CERAMIC	HE60SJ YB 222K 50V
C7004	4010006890	CERAMIC	HE60SJ YB 222K 50V
C7005	4010006900	CERAMIC	HE80SJ YB 472K 50V
C7006	4010006900	CERAMIC	HE80SJ YB 472K 50V
C7008	4030001370	S.CERAMIC	GR44 CH 682K [GMDSS]
C7009	4030001370	S.CERAMIC	GR44 CH 682K [GMDSS]
C7010	4030001370	S.CERAMIC	GR44 CH 682K [GMDSS]
J7001	6510010020	CONNECTOR	RTB-1.5-2F
EP7001	0910044565	PCB	B 4421E
EP7003	6510018330	TERMINAL	F4053A
EP7004	6510018330	TERMINAL	F4053A
EP7010	9017680190	TUBE	10 (d) L=25 mm [Others]

[GEN]: [GEN-21], [GEN-22], [GEN-23] [EUR]: [EUR-21], [EUR-22]
 [GMDSS]: [GEN-23], [EUR-22] [Others]: [GEN-21], [GEN-22], [EUR-21]

S.=Surface mount

[REG BOARD]

REF NO.	ORDER NO.	DESCRIPTION	
IC8001	1110003070	S.IC	μPC494GS-E1
IC8002	1110001820	S.IC	μPC1093T-E1
IC8003	1170000290	S.IC	PS2701-1-F3
Q8001	1560001180	S.TRANSISTOR	2SK2266
Q8003	1510000800	S.TRANSISTOR	2SA1213-Y (TE12R,C)
D8002	1790001360	DIODE	SF10SC6
D8003	1790001780	DIODE	MA700
L8001	5920000450	COIL	FK-080E-1020
L8003	5920000450	COIL	FK-080E-1020
R8001	7030000430	S.RESISTOR	MCR10EZHZ 2.7 kΩ
R8002	7030000460	S.RESISTOR	MCR10EZHZ 4.7 kΩ
R8003	7030000490	S.RESISTOR	MCR10EZHZ 8.2 kΩ
R8004	7030000390	S.RESISTOR	MCR10EZHZ 1.2 kΩ
R8005	7030000460	S.RESISTOR	MCR10EZHZ 4.7 kΩ
R8006	7030000460	S.RESISTOR	MCR10EZHZ 4.7 kΩ
R8007	7030000480	S.RESISTOR	MCR10EZHZ 6.8 kΩ
R8008	7030000440	S.RESISTOR	MCR10EZHZ 3.3 kΩ
R8009	7030001090	S.RESISTOR	MCR50JZHJ 47 Ω (470)
R8010	7030001210	S.RESISTOR	MCR50JZHJ 470 Ω (471)
R8011	7030000460	S.RESISTOR	MCR10EZHZ 4.7 kΩ
R8012	7030000260	S.RESISTOR	MCR10EZHZ 100 Ω (101)
R8013	7310005010	S.RESISTOR	KVSF637AC 102
R8014	7030000450	S.RESISTOR	MCR10EZHZ 3.9 kΩ
R8015	7030000380	S.RESISTOR	MCR10EZHZ 1 kΩ
R8016	7030000200	S.RESISTOR	MCR10EZHZ 33 Ω (330)
R8019	7030000340	S.RESISTOR	MCR10EZHZ 470 Ω (471)
R8020	7030000380	S.RESISTOR	MCR10EZHZ 1 kΩ
C8001	4510004590	ELECTROLYTIC	16 MV 470 HC
C8002	4030005110	S.CERAMIC	C2012 JB 1E 473K-T
C8003	4560000050	CERAMIC	D67X5T 1E 684M51
C8004	4510007250	ELECTROLYTIC	25 MV 1000 AX
C8005	4510007250	ELECTROLYTIC	25 MV 1000 AX
C8006	4510006160	ELECTROLYTIC	25 MV 10 HC
C8007	4310000360	MYLAR	50 F2D 103J
C8008	4030004740	S.CERAMIC	C2012 JB 1H 472K-T
C8009	4510007250	ELECTROLYTIC	25 MV 1000 AX
C8010	4510007250	ELECTROLYTIC	25 MV 1000 AX
C8011	4560000050	CERAMIC	D67X5T 1E 684M51
C8012	4030004730	S.CERAMIC	C2012 JB 1H 222K-T
C8013	4510006020	ELECTROLYTIC	16 MV 2200 HC
C8014	4560000050	CERAMIC	D67X5T 1E 684M51
C8015	4560000050	CERAMIC	D67X5T 1E 684M51
T8001	5920000440	TRANSFORMER	TO-25
EP8001	0910045073	B4420C SX-1632	

[MIC BOARD]

REF NO.	ORDER NO.	DESCRIPTION	
J2301	6510021050	CONNECTOR	A28 SOCKET
J2302	6510018381	CONNECTOR	10FE-BT-VK-N
EP2301	0910044821	PCB	B 4503A

[VR1 BOARD]

REF NO.	ORDER NO.	DESCRIPTION	
R2401	7210002540	VARIABLE	TP96N937-15F-10KB-1540
J2401	6510018391	CONNECTOR	06FE-BT-VK-N
EP2401	0910044832	PCB	B 4367B

[VR2 BOARD]

REF NO.	ORDER NO.	DESCRIPTION	
R2401	7210002730	VARIABLE	TP96N944-15F-10KB-1632
J2501	6510018391	CONNECTOR	06FE-BT-VK-N
EP2501	0910044842	PCB	B 4508B

[PLL-A UNIT] ([GMDSS] only)

PLL NO.	REF NO.	ORDER	DESCRIPTION
IC3001	1140007880	S.IC	TC190G08AF-0046-Z/SC-1246A
IC3002	1140004550	S.IC	M65343FP/SC1287
IC3003	1180001070	S.IC	TA7805F (TE16L)
IC3004	1130004830	S.IC	TC7SU04F (TE85R)
IC3005	1130007660	S.IC	LC7153M-TLM
IC3006	1130004830	S.IC	TC7SU04F (TE85R)
IC3008	1130004830	S.IC	TC7SU04F (TE85R)
IC3009	1180000420	S.IC	TA78L05F (TE12R)
IC3010	1110000960	S.IC	NJM4558M-TE1
Q3002	1530002600	S.TRANSISTOR	2SC4215-O (TE85R)
Q3003	1560000720	S.FET	2SK2171-4-TD
Q3004	1530002600	S.TRANSISTOR	2SC4215-O (TE85R)
Q3005	1560000330	S.FET	2SK210-GR (TE85R)
Q3006	1530002690	S.TRANSISTOR	2SC4116-GR (TE85R)
Q3007	1530002600	S.TRANSISTOR	2SC4215-O (TE85R)
Q3008	1530002600	S.TRANSISTOR	2SC4215-O (TE85R)
Q3009	1530002690	S.TRANSISTOR	2SC4116-GR (TE85R)
Q3010	1530002690	S.TRANSISTOR	2SC4116-GR (TE85R)
Q3011	1530002600	S.TRANSISTOR	2SC4215-O (TE85R)
Q3021	1530002600	S.TRANSISTOR	2SC4215-O (TE85R)
Q3022	1590001330	S.TRANSISTOR	DTA114EUA T106
Q3024	1530002600	S.TRANSISTOR	2SC4215-O (TE85R)
Q3025	1530002690	S.TRANSISTOR	2SC4116-GR (TE85R)
Q3026	1590000680	S.TRANSISTOR	DTC114EUA T106
D3001	1750000270	S.DIODE	1SS301 (TE85R)
D3002	1750000270	S.DIODE	1SS301 (TE85R)
D3003	1790000540	S.VARICAP	MA338 (TX)
D3004	1720000670	S.VARICAP	HVU17D3005
D3005	1750000070	S.DIODE	1SS226 (TE85R)
D3006	1790000620	S.DIODE	MA77 (TX)
D3015	1790000490	S.DIODE	HSM88AS-TR
D3016	1790000490	S.DIODE	HSM88AS-TR
D3017	1750000270	S.DIODE	1SS301 (TE85R)
D3020	1720000670	S.VARICAP	HVU17
FI3001	2020001140	S.CERAMIC	SFECA10.7MA5-A-TC
X3002	6050011360	XTAL	CR-612 POCO 30.00000 MHz

[GEN]: [GEN-21], [GEN-22], [GEN-23] [EUR]: [EUR-21], [EUR-22]

[GMDSS]: [GEN-23], [EUR-22] [Others]: [GEN-21], [GEN-22], [EUR-21]

S.=Surface mount

[PLL-A UNIT]

REF NO.	ORDER NO.	DESCRIPTION	
L3004	6150004250	COIL	LS-471A (C-14922)
L3005	6150004250	COIL	LS-471A (C-14922)
L3007	6200003260	S.COIL	NL 322522T-101J
L3008	6180001220	COIL	LAL 04NA 100K
L3009	6200003260	S.COIL	NL 322522T-101J
L3010	6200003100	S.COIL	NL 322522T-3R9J-3
L3011	6200003260	S.COIL	NL 322522T-101J
L3012	6200003260	S.COIL	NL 322522T-101J
L3013	6130001850	COIL	LB-185
L3015	6200001830	S.COIL	NL 322522T-100J
L3016	6200003260	S.COIL	NL 322522T-101J
L3017	6200001830	S.COIL	NL 322522T-100J
L3019	6200001830	S.COIL	NL 322522T-100J
L3020	6170000180	COIL	LW-19
L3021	6170000230	COIL	LW-25
L3022	6200003260	S.COIL	NL 322522T-101J
L3023	6200003260	S.COIL	NL 322522T-101J
L3024	6190001090	COIL	MC138-E544EN-110164
L3026	6200003260	S.COIL	NL 322522T-101J
L3028	6200003260	S.COIL	NL 322522T-101J
L3035	6200003430	S.COIL	NL 322522T-R10J
L3036	6200003430	S.COIL	NL 322522T-R10J
L3037	6200003120	S.COIL	NL 322522T-8R2J
L3038	6200001830	S.COIL	NL 322522T-100J
L3040	6200003320	S.COIL	NL 322522T-3R3J-3
L3041	2040000490	COIL	EXC-ELDR25C
L3042	2040000490	COIL	EXC-ELDR25C
L3043	6200003420	S.COIL	NL 322522T-R15J-3
L3044	6200003430	S.COIL	NL 322522T-R10J
L3045	6180000880	COIL	LAL 03NA 100K
L3046	6200001830	S.COIL	NL 322522T-100J
L3047	6200001830	S.COIL	NL 322522T-100J
R3005	7030003280	S.RESISTOR	ERJ3GEYJ 470 V (47 Ω)
R3006	7030003320	S.RESISTOR	ERJ3GEYJ 101 V (100 Ω)
R3007	7030003600	S.RESISTOR	ERJ3GEYJ 223 V (22 kΩ)
R3008	7030003560	S.RESISTOR	ERJ3GEYJ 103 V (10 kΩ)
R3009	7030003360	S.RESISTOR	ERJ3GEYJ 221 V (220 Ω)
R3010	7070000820	RESISTOR	ERG1SJ 220 (22 Ω)
R3011	7030003320	S.RESISTOR	ERJ3GEYJ 101 V (100 Ω)
R3012	7030003440	S.RESISTOR	ERJ3GEYJ 102 V (1 kΩ)
R3014	7030003800	S.RESISTOR	ERJ3GEYJ 105 V (1 MΩ)
R3017	7030003440	S.RESISTOR	ERJ3GEYJ 102 V (1 kΩ)
R3018	7030003430	S.RESISTOR	ERJ3GEYJ 821 V (820 Ω)
R3019	7030003340	S.RESISTOR	ERJ3GEYJ 151 V (150 Ω)
R3020	7030005400	S.RESISTOR	RR0816P-202-D (2 kΩ)
R3021	7030005400	S.RESISTOR	RR0816P-202-D (2 kΩ)
R3022	7030005390	S.RESISTOR	RR0816P-102-D (1 kΩ)
R3023	7030005400	S.RESISTOR	RR0816P-202-D (2 kΩ)
R3024	7030005390	S.RESISTOR	RR0816P-102-D (1 kΩ)
R3025	7030005400	S.RESISTOR	RR0816P-202-D (2 kΩ)
R3026	7030005390	S.RESISTOR	RR0816P-102-D (1 kΩ)
R3027	7030005400	S.RESISTOR	RR0816P-202-D (2 kΩ)
R3028	7030005390	S.RESISTOR	RR0816P-102-D (1 kΩ)
R3029	7030005400	S.RESISTOR	RR0816P-202-D (2 kΩ)
R3030	7030005390	S.RESISTOR	RR0816P-102-D (1 kΩ)
R3031	7030005400	S.RESISTOR	RR0816P-202-D (2 kΩ)
R3032	7030005390	S.RESISTOR	RR0816P-102-D (1 kΩ)
R3033	7030005400	S.RESISTOR	RR0816P-202-D (2 kΩ)
R3034	7030005380	S.RESISTOR	RR0816P-102-B (1 kΩ)
R3035	7030005370	S.RESISTOR	RR0816P-202-B (2 kΩ)
R3036	7030005380	S.RESISTOR	RR0816P-102-B (1 kΩ)
R3037	7030005370	S.RESISTOR	RR0816P-202-B (2 kΩ)
R3038	7030005380	S.RESISTOR	RR0816P-102-B (1 kΩ)
R3039	7030005370	S.RESISTOR	RR0816P-202-B (2 kΩ)
R3040	7030005380	S.RESISTOR	RR0816P-102-B (1 kΩ)
R3041	7030005370	S.RESISTOR	RR0816P-202-B (2 kΩ)
R3042	7030005380	S.RESISTOR	RR0816P-102-B (1 kΩ)
R3043	7030005370	S.RESISTOR	RR0816P-202-B (2 kΩ)
R3044	7030003380	S.RESISTOR	ERJ3GEYJ 331 V (330 Ω)
R3045	7030003800	S.RESISTOR	ERJ3GEYJ 105 V (1 MΩ)
R3046	7030003570	S.RESISTOR	ERJ3GEYJ 123 V (12 kΩ)
R3048	7030003360	S.RESISTOR	ERJ3GEYJ 221 V (220 Ω)
R3052	7030003340	S.RESISTOR	ERJ3GEYJ 151 V (150 Ω)
R3053	7030003270	S.RESISTOR	ERJ3GEYJ 390 V (39 Ω)
R3054	7030003340	S.RESISTOR	ERJ3GEYJ 151 V (150 Ω)
R3055	7030003320	S.RESISTOR	ERJ3GEYJ 101 V (100 Ω)
R3056	7030003650	S.RESISTOR	ERJ3GEYJ 563 V (56 kΩ)
R3057	7030003360	S.RESISTOR	ERJ3GEYJ 221 V (220 Ω)
R3058	7030003250	S.RESISTOR	ERJ3GEYJ 270 V (27 Ω)
R3060	7030003320	S.RESISTOR	ERJ3GEYJ 101 V (100 Ω)

[PLL-A UNIT]

REF NO.	ORDER NO.	DESCRIPTION	
R3061	7030003680	S.RESISTOR	ERJ3GEYJ 104 V (100 kΩ)
R3062	7030003680	S.RESISTOR	ERJ3GEYJ 104 V (100 kΩ)
R3063	7030003340	S.RESISTOR	ERJ3GEYJ 151 V (150 Ω)
R3064	7030003690	S.RESISTOR	ERJ3GEYJ 124 V (120 kΩ)
R3065	7030003320	S.RESISTOR	ERJ3GEYJ 101 V (100 Ω)
R3066	7030003400	S.RESISTOR	ERJ3GEYJ 471 V (470 Ω)
R3067	7030003400	S.RESISTOR	ERJ3GEYJ 471 V (470 Ω)
R3068	7030003320	S.RESISTOR	ERJ3GEYJ 101 V (100 Ω)
R3069	7030003480	S.RESISTOR	ERJ3GEYJ 222 V (2.2 kΩ)
R3070	7030003400	S.RESISTOR	ERJ3GEYJ 471 V (470 Ω)
R3071	7030003320	S.RESISTOR	ERJ3GEYJ 101 V (100 Ω)
R3072	7030003640	S.RESISTOR	ERJ3GEYJ 473 V (47 kΩ)
R3073	7030003500	S.RESISTOR	ERJ3GEYJ 332 V (3.3 kΩ)
R3074	7030003600	S.RESISTOR	ERJ3GEYJ 223 V (22 kΩ)
R3077	7030003430	S.RESISTOR	ERJ3GEYJ 821 V (820 Ω)
R3079	7030003800	S.RESISTOR	ERJ3GEYJ 105 V (1 MΩ)
R3080	7030003650	S.RESISTOR	ERJ3GEYJ 563 V (56 kΩ)
R3081	7030003520	S.RESISTOR	ERJ3GEYJ 472 V (4.7 kΩ)
R3082	7030003380	S.RESISTOR	ERJ3GEYJ 331 V (330 Ω)
R3083	7030003380	S.RESISTOR	ERJ3GEYJ 331 V (330 Ω)
R3084	7030003480	S.RESISTOR	ERJ3GEYJ 222 V (2.2 kΩ)
R3085	7030003320	S.RESISTOR	ERJ3GEYJ 101 V (100 Ω)
R3086	7030003560	S.RESISTOR	ERJ3GEYJ 103 V (10 kΩ)
R3087	7030003240	S.RESISTOR	ERJ3GEYJ 220 V (22 Ω)
R3090	7030003520	S.RESISTOR	ERJ3GEYJ 472 V (4.7 kΩ)
R3091	7030003440	S.RESISTOR	ERJ3GEYJ 102 V (1 kΩ)
R3092	7030003320	S.RESISTOR	ERJ3GEYJ 101 V (100 Ω)
R3093	7030003630	S.RESISTOR	ERJ3GEYJ 393 V (39 kΩ)
R3094	7030003480	S.RESISTOR	ERJ3GEYJ 222 V (2.2 kΩ)
R3095	7030003520	S.RESISTOR	ERJ3GEYJ 472 V (4.7 kΩ)
R3096	7030003480	S.RESISTOR	ERJ3GEYJ 222 V (2.2 kΩ)
R3097	7030003640	S.RESISTOR	ERJ3GEYJ 473 V (47 kΩ)
R3098	7030003640	S.RESISTOR	ERJ3GEYJ 473 V (47 kΩ)
R3099	7030003320	S.RESISTOR	ERJ3GEYJ 101 V (100 Ω)
R3100	7030003350	S.RESISTOR	ERJ3GEYJ 181 V (180 Ω)
R3104	7030003400	S.RESISTOR	ERJ3GEYJ 471 V (470 Ω)
R3105	7030003430	S.RESISTOR	ERJ3GEYJ 821 V (820 Ω)
R3120	7030005400	S.RESISTOR	RR0816P-202-D (2 kΩ)
R3121	7030005400	S.RESISTOR	RR0816P-202-D (2 kΩ)
R3122	7030005390	S.RESISTOR	RR0816P-102-D (1 kΩ)
R3123	7030005400	S.RESISTOR	RR0816P-202-D (2 kΩ)
R3124	7030005390	S.RESISTOR	RR0816P-102-D (1 kΩ)
R3125	7030005400	S.RESISTOR	RR0816P-202-D (2 kΩ)
R3126	7030005390	S.RESISTOR	RR0816P-102-D (1 kΩ)
R3127	7030005400	S.RESISTOR	RR0816P-202-D (2 kΩ)
R3128	7030005390	S.RESISTOR	RR0816P-102-D (1 kΩ)
R3129	7030005400	S.RESISTOR	RR0816P-202-D (2 kΩ)
R3130	7030005390	S.RESISTOR	RR0816P-102-D (1 kΩ)
R3131	7030005400	S.RESISTOR	RR0816P-202-D (2 kΩ)
R3132	7030005390	S.RESISTOR	RR0816P-102-D (1 kΩ)
R3133	7030005400	S.RESISTOR	RR0816P-202-D (2 kΩ)
R3134	7030005380	S.RESISTOR	RR0816P-102-B (1 kΩ)
R3135	7030005370	S.RESISTOR	RR0816P-202-B (2 kΩ)
R3136	7030005380	S.RESISTOR	RR0816P-102-B (1 kΩ)
R3137	7030005370	S.RESISTOR	RR0816P-202-B (2 kΩ)
R3138	7030005380	S.RESISTOR	RR0816P-102-B (1 kΩ)
R3139	7030005370	S.RESISTOR	RR0816P-202-B (2 kΩ)
R3140	7030003440	S.RESISTOR	ERJ3GEYJ 102 V (1 kΩ)
R3141	7030003440	S.RESISTOR	ERJ3GEYJ 102 V (1 kΩ)
R3142	7030003440	S.RESISTOR	ERJ3GEYJ 102 V (1 kΩ)
R3143	7030003440	S.RESISTOR	ERJ3GEYJ 102 V (1 kΩ)
R3144	7030003440	S.RESISTOR	ERJ3GEYJ 102 V (1 kΩ)
R3145	7030003440	S.RESISTOR	ERJ3GEYJ 102 V (1 kΩ)
R3146	7030003440	S.RESISTOR	ERJ3GEYJ 102 V (1 kΩ)
R3147	7030003440	S.RESISTOR	ERJ3GEYJ 102 V (1 kΩ)
R3148	7030003440	S.RESISTOR	ERJ3GEYJ 102 V (1 kΩ)
R3168	7030003520	S.RESISTOR	ERJ3GEYJ 472 V (4.7 kΩ)
R3173	7030003320	S.RESISTOR	ERJ3GEYJ 101 V (100 Ω)
R3174	7030003380	S.RESISTOR	ERJ3GEYJ 331 V (330 Ω)
R3176	7030003640	S.RESISTOR	ERJ3GEYJ 473 V (47 kΩ)
R3177	7030003640	S.RESISTOR	ERJ3GEYJ 473 V (47 kΩ)
R3178	7030003640	S.RESISTOR	ERJ3GEYJ 473 V (47 kΩ)
R3179	7030003640	S.RESISTOR	ERJ3GEYJ 473 V (47 kΩ)
R3180	7030003640	S.RESISTOR	ERJ3GEYJ 473 V (47 kΩ)
R3181	7030003640	S.RESISTOR	ERJ3GEYJ 473 V (47 kΩ)
R3183	7030003640	S.RESISTOR	ERJ3GEYJ 473 V (47 kΩ)
R3184	7030003640	S.RESISTOR	ERJ3GEYJ 473 V (47 kΩ)
R3186	7030003460	S.RESISTOR	ERJ3GEYJ 152 V (1.5 kΩ)
R3187	7030003640	S.RESISTOR	ERJ3GEYJ 473 V (47 kΩ)
R3188	7030003440	S.RESISTOR	ERJ3GEYJ 102 V (1 kΩ)
R3189	7030003440	S.RESISTOR	ERJ3GEYJ 102 V (1 kΩ)
R3190	7030003440	S.RESISTOR	ERJ3GEYJ 102 V (1 kΩ)

[GEN]: [GEN-21], [GEN-22], [GEN-23] [EUR]: [EUR-21], [EUR-22]
 [GMDSS]: [GEN-23], [EUR-22] [Others]: [GEN-21], [GEN-22], [EUR-21]

S.=Surface mount

[PLL-A UNIT]

REF NO.	ORDER NO.	DESCRIPTION	
R3191	7030003440	S.RESISTOR	ERJ3GEYJ 102 V (1 kΩ)
R3193	7030003430	S.RESISTOR	ERJ3GEYJ 821 V (820 Ω)
R3194	7030003460	S.RESISTOR	ERJ3GEYJ 152 V (1.5 kΩ)
R3195	7030003380	S.RESISTOR	ERJ3GEYJ 331 V (330 Ω)
R3196	7030003400	S.RESISTOR	ERJ3GEYJ 471 V (470 Ω)
R3197	7030003490	S.RESISTOR	ERJ3GEYJ 272 V (2.7 kΩ)
R3198	7030003320	S.RESISTOR	ERJ3GEYJ 101 V (100 Ω)
R3199	7030003360	S.RESISTOR	ERJ3GEYJ 221 V (220 Ω)
R3200	7030003460	S.RESISTOR	ERJ3GEYJ 152 V (1.5 kΩ)
R3201	7030003680	S.RESISTOR	ERJ3GEYJ 104 V (100 kΩ)
R3202	7030008060	S.RESISTOR	RR0816P-222-D (2.2 kΩ)
R3203	7030008060	S.RESISTOR	RR0816P-222-D (2.2 kΩ)
R3204	7030005350	S.RESISTOR	RR0816P-182-D (1.8 kΩ)
R3205	7030003620	S.RESISTOR	ERJ3GEYJ 333 V (33 kΩ)
C3006	4510005600	S.ELECTROLYTIC	ECEV1CS100SR
C3007	4030006860	S.CERAMIC	C1608 JB 1H 102K-T
C3008	4030006880	S.CERAMIC	C1608 JB 1H 472K-T
C3009	4030007030	S.CERAMIC	C1608 CH 1H 150J-T
C3010	4030006910	S.CERAMIC	C1608 CH 1H 0R5C-T
C3011	4030007030	S.CERAMIC	C1608 CH 1H 150J-T
C3013	4030006880	S.CERAMIC	C1608 JB 1H 472K-T
C3014	4030006860	S.CERAMIC	C1608 JB 1H 102K-T
C3016	4030006880	S.CERAMIC	C1608 JB 1H 472K-T
C3017	4510004630	S.ELECTROLYTIC	ECEV1CA100SR
C3018	4510004640	S.ELECTROLYTIC	ECEV1CA470SP
C3019	4030006880	S.CERAMIC	C1608 JB 1H 472K-T
C3020	4030006860	S.CERAMIC	C1608 JB 1H 102K-T
C3021	4030006880	S.CERAMIC	C1608 JB 1H 472K-T
C3023	4510004640	S.ELECTROLYTIC	ECEV1CA470SP
C3024	4030006880	S.CERAMIC	C1608 JB 1H 472K-T
C3025	4030006880	S.CERAMIC	C1608 JB 1H 472K-T
C3026	4030006880	S.CERAMIC	C1608 JB 1H 472K-T
C3027	4030006880	S.CERAMIC	C1608 JB 1H 472K-T
C3030	4030006880	S.CERAMIC	C1608 JB 1H 472K-T
C3031	4030010070	S.CERAMIC	C1608 X7S 1C 104K-T
C3032	4030010070	S.CERAMIC	C1608 X7S 1C 104K-T
C3033	4030006880	S.CERAMIC	C1608 JB 1H 472K-T
C3034	4030006880	S.CERAMIC	C1608 JB 1H 472K-T
C3035	4030006880	S.CERAMIC	C1608 JB 1H 472K-T
C3036	4030006880	S.CERAMIC	C1608 JB 1H 472K-T
C3037	4030006880	S.CERAMIC	C1608 JB 1H 472K-T
C3038	4030006880	S.CERAMIC	C1608 JB 1H 472K-T
C3039	4030010000	S.CERAMIC	C1608 CH 1H 510J-T
C3040	4030006960	S.CERAMIC	C1608 CH 1H 050C-T
C3041	4030010000	S.CERAMIC	C1608 CH 1H 510J-T
C3042	4030006880	S.CERAMIC	C1608 JB 1H 472K-T
C3043	4030006860	S.CERAMIC	C1608 JB 1H 102K-T
C3044	4550000730	S.TANTALUM	TEESVA 0J 225M8L
C3045	4030007010	S.CERAMIC	C1608 CH 1H 100D-T
C3046	4030007080	S.CERAMIC	C1608 CH 1H 390J-T
C3047	4030006880	S.CERAMIC	C1608 JB 1H 472K-T
C3048	4030018020	S.CERAMIC	C1608 CH 1H 910J-T
C3049	4610001820	S.TANTALUM	TZB4P300AB10R00
C3050	4030007150	S.CERAMIC	C1608 CH 1H 151J-T
C3052	4030006880	S.CERAMIC	C1608 JB 1H 472K-T
C3053	4510005600	S.ELECTROLYTIC	ECEV1CS100SR
C3054	4030007150	S.CERAMIC	C1608 CH 1H 151J-T
C3055	4030007150	S.CERAMIC	C1608 CH 1H 151J-T
C3056	4030007010	S.CERAMIC	C1608 CH 1H 100D-T
C3059	4030006880	S.CERAMIC	C1608 JB 1H 472K-T
C3060	4030006880	S.CERAMIC	C1608 JB 1H 472K-T
C3061	4030006880	S.CERAMIC	C1608 JB 1H 472K-T
C3062	4510005600	S.ELECTROLYTIC	ECEV1CS100SR
C3063	4030006880	S.CERAMIC	C1608 JB 1H 472K-T
C3066	4030006860	S.CERAMIC	C1608 JB 1H 102K-T
C3067	4030006880	S.CERAMIC	C1608 JB 1H 472K-T
C3068	4030006880	S.CERAMIC	C1608 JB 1H 472K-T
C3070	4030006880	S.CERAMIC	C1608 JB 1H 472K-T
C3071	4030007130	S.CERAMIC	C1608 CH 1H 101J-T
C3072	4030006880	S.CERAMIC	C1608 JB 1H 472K-T
C3073	4510005600	S.ELECTROLYTIC	ECEV1CS100SR
C3077	4030006880	S.CERAMIC	C1608 JB 1H 472K-T
C3083	4030006860	S.CERAMIC	C1608 JB 1H 102K-T
C3084	4550003250	S.TANTALUM	TEESVA 1V 474M8L
C3085	4550006050	S.TANTALUM	TEESVA 0J 106M8L
C3086	4340000100	S.MYLAR	ECHU 1C 473JB5
C3087	4510005600	S.ELECTROLYTIC	ECEV1CS100SR
C3088	4030010070	S.CERAMIC	C1608 X7S 1C 104K-T
C3089	4030006880	S.CERAMIC	C1608 JB 1H 472K-T
C3090	4030006860	S.CERAMIC	C1608 JB 1H 102K-T

[PLL-A UNIT]

REF NO.	ORDER NO.	DESCRIPTION	
C3091	4030007130	S.CERAMIC	C1608 CH 1H 101J-T
C3092	4030006880	S.CERAMIC	C1608 JB 1H 472K-T
C3093	4510004590	ELECTROLYTIC	16 MV 470 HC
C3094	4030006860	S.CERAMIC	C1608 JB 1H 102K-T
C3095	4030010070	S.CERAMIC	C1608 X7S 1C 104K-T
C3096	4510004590	ELECTROLYTIC	16 MV 470 HC
C3097	4030006880	S.CERAMIC	C1608 JB 1H 472K-T
C3098	4030006920	S.CERAMIC	C1608 CH 1H 010C-T
C3099	4030006860	S.CERAMIC	C1608 JB 1H 102K-T
C3100	4030006880	S.CERAMIC	C1608 JB 1H 472K-T
C3101	4030006930	S.CERAMIC	C1608 CH 1H 020C-T
C3102	4030006880	S.CERAMIC	C1608 JB 1H 472K-T
C3105	4030006860	S.CERAMIC	C1608 JB 1H 102K-T
C3107	4030006860	S.CERAMIC	C1608 JB 1H 102K-T
C3109	4030006880	S.CERAMIC	C1608 JB 1H 472K-T
C3110	4030006880	S.CERAMIC	C1608 JB 1H 472K-T
C3111	4030006880	S.CERAMIC	C1608 JB 1H 472K-T
C3114	4030006880	S.CERAMIC	C1608 JB 1H 472K-T
C3124	4030007090	S.CERAMIC	C1608 CH 1H 470J-T
C3125	4030006860	S.CERAMIC	C1608 JB 1H 102K-T
C3129	4030006880	S.CERAMIC	C1608 JB 1H 472K-T
C3130	4030007110	S.CERAMIC	C1608 CH 1H 680J-T
C3132	4030006960	S.CERAMIC	C1608 CH 1H 050C-T
C3133	4030006880	S.CERAMIC	C1608 JB 1H 472K-T
C3135	4030007060	S.CERAMIC	C1608 CH 1H 270J-T
C3136	4030007020	S.CERAMIC	C1608 CH 1H 120J-T
C3137	4030007060	S.CERAMIC	C1608 CH 1H 270J-T
C3138	4030006980	S.CERAMIC	C1608 CH 1H 070D-T
C3139	4030007040	S.CERAMIC	C1608 CH 1H 180J-T
C3141	4030006880	S.CERAMIC	C1608 JB 1H 472K-T
C3142	4030006880	S.CERAMIC	C1608 JB 1H 472K-T
C3143	4030006880	S.CERAMIC	C1608 JB 1H 472K-T
C3144	4030006880	S.CERAMIC	C1608 JB 1H 472K-T
C3145	4030006880	S.CERAMIC	C1608 JB 1H 472K-T
C3154	4030007040	S.CERAMIC	C1608 CH 1H 180J-T
C3155	4030007000	S.CERAMIC	C1608 CH 1H 090D-T
C3156	4030007060	S.CERAMIC	C1608 CH 1H 270J-T
C3157	4030006960	S.CERAMIC	C1608 CH 1H 050C-T
C3158	4030008560	S.CERAMIC	C1608 CH 1H 300J-T
C3161	4030006880	S.CERAMIC	C1608 JB 1H 472K-T
C3164	4030006880	S.CERAMIC	C1608 JB 1H 472K-T
C3165	4030006880	S.CERAMIC	C1608 JB 1H 472K-T
C3170	4030007090	S.CERAMIC	C1608 CH 1H 470J-T
C3171	4030011280	S.CERAMIC	C1608 CH 1H 271J-T
C3173	4030006880	S.CERAMIC	C1608 JB 1H 472K-T
C3174	4030006880	S.CERAMIC	C1608 JB 1H 472K-T
C3175	4030006880	S.CERAMIC	C1608 JB 1H 472K-T
C3177	4030006880	S.CERAMIC	C1608 JB 1H 472K-T
C3178	4030006880	S.CERAMIC	C1608 JB 1H 472K-T
C3179	4030006880	S.CERAMIC	C1608 JB 1H 472K-T
C3180	4030006880	S.CERAMIC	C1608 JB 1H 472K-T
C3181	4030006880	S.CERAMIC	C1608 JB 1H 472K-T
C3182	4030006860	S.CERAMIC	C1608 JB 1H 102K-T
C3183	4030007130	S.CERAMIC	C1608 CH 1H 101J-T
C3184	4030006880	S.CERAMIC	C1608 JB 1H 472K-T
C3185	4030006880	S.CERAMIC	C1608 JB 1H 472K-T
C3186	4510005600	S.ELECTROLYTIC	ECEV1CS100SR
C3187	4030011600	S.CERAMIC	C1608 JB 1E 104K-T
C3188	4030011600	S.CERAMIC	C1608 JB 1E 104K-T
C3189	4510004870	S.ELECTROLYTIC	ECEV1CA330P
C3190	4030011600	S.CERAMIC	C1608 JB 1E 104K-T
C3191	4030011600	S.CERAMIC	C1608 JB 1E 104K-T
C3192	4030011600	S.CERAMIC	C1608 JB 1E 104K-T
C3193	4510005600	S.ELECTROLYTIC	ECEV1CS100SR
C3194	4030011600	S.CERAMIC	C1608 JB 1E 104K-T
RL3001	6330001320	RELAY	AHY103
J3004	6510003080	CONNECTOR	RT01T-1.0B
J3005	6510003080	CONNECTOR	RT01T-1.0B
J3007	6510017660	CONNECTOR	52045-1645
W3007	7030003860	S.RESISTOR	ERJ3GE JPW V
EP3001	0910049833	PCB	B5126C

[GEN]: [GEN-21], [GEN-22], [GEN-23] [EUR]: [EUR-21], [EUR-22]
 [GMDSS]: [GEN-23], [EUR-22] [Others]: [GEN-21], [GEN-22], [EUR-21]

S.=Surface mount

[CHASSIS UNIT]

REF NO.	ORDER NO.	DESCRIPTION		
MF1001	2710000520	FAN	SB0812H-ICOM-00	[Others]
	2710000570	FAN	VFA-8018-BH10-1000	[GMDSS]
W1003	8900006220	CABLE	OPC-539	
W1012	8900006082	CABLE	OPC-567B	
EP1001	6910013480	E.OTHER	MGB12-07B	

[ALARM BOARD] (except [GEN-21])

REF NO.	ORDER NO.	DESCRIPTION		M.	H/V LOCATION
IC5001	1130007800	S.IC	S-7116AF-TF	B	25.5/6.2
Q5001	1530002690	S.TR	2SC4116-GR (TE85R)	T	23.9/10.5
X5001	6060000150	S.CE	CSAC3.58MGC300CD-TC	T	14/2.6
R5001	7030003620	S.RE	ERJ3GEYJ 333 V (33 kΩ)	T	25.6/2.3
R5002	7030003640	S.RE	ERJ3GEYJ 473 V (47 kΩ)	T	21.6/2.3
R5003	7030003440	S.RE	ERJ3GEYJ 102 V (1 kΩ)	T	23.6/3.1
R5004	7030003640	S.RE	ERJ3GEYJ 473 V (47 kΩ)	T	16/10
R5005	7030003440	S.RE	ERJ3GEYJ 102 V (1 kΩ)	T	17.3/10
R5006	7030003680	S.RE	ERJ3GEYJ 104 V (100 kΩ)	T	21/10.8
R5007	7030003710	S.RE	ERJ3GEYJ 184 V (180 kΩ)	T	25.4/8.6
R5008	7030003440	S.RE	ERJ3GEYJ 102 V (1 kΩ)	T	26.1/10.4
R5009	7030003440	S.RE	ERJ3GEYJ 102 V (1 kΩ)	T	14.1/17
R5010	7030003640	S.RE	ERJ3GEYJ 473 V (47 kΩ)	T	12.1/17.7
C5001	4550006140	S.TA	ECST1EY474R	T	20.5/9.1
C5002	4550006210	S.TA	ECST1CX106R	T	4.9/3.6
C5004	4030006880	S.CE	C1608 JB 1H 472K-T	T	14.7/10
C5005	4030007090	S.CE	C1608 CH 1H 470J-T	T	12.1/10
C5006	4030007090	S.CE	C1608 CH 1H 470J-T	T	13.4/10
C5007	4030006860	S.CE	C1608 JB 1H 102K-T	T	21.6/3.6
C5008	4030006850	S.CE	C1608 JB 1H 471K-T	T	12.1/16.2
J5001	6510018160	S.CO	4-175643-0	T	5/10
J5002	6510018170	S.CO	4-175643-4	T	31/10
EP5001	0910045602	PCB	B 4368B		

M.=Mounted side (T: Mounted on the Top side, B: Mounted on the Bottom side)
S.=Surface mount

[GEN]: [GEN-21], [GEN-22], [GEN-23] [EUR]: [EUR-21], [EUR-22]
[GMDSS]: [GEN-23], [EUR-22] [Others]: [GEN-21], [GEN-22], [EUR-21]

SECTION 6 MECHANICAL PARTS AND DISASSEMBLY

[FRONT PARTS]

REF. NO.	ORDER NO.	DESCRIPTION	QTY.
S2801	2260001580	Switch JPZ2120-0101	1
SP2801	2510000441	Speaker F77G08-6205	1
MP2801	8210012342	1632 front panel (A)-1	1
	8210012192	1632 front panel-1	1
MP2802	8310035581	1632 window plate	1
MP2803	8930035591	1632 3-key-1	1
MP2804	8930035600	1632 4-key	1
MP2805	8930035610	1632 14-key	1
MP2806	8930035640	1632 power key	1
MP2807	8930035650	1632 1-key	1
MP2808	8930035660	1632 2-key	1
MP2809	8610009750	Knob N232	2
MP2810	8610009760	Knob N233	2
MP2811	8210012200	1632 mask plate	1
MP2812	8930035580	1632 sensor seal	2
MP2813	8930035571	1632 knob plate-1	1
MP2816	8930035630	1632 front seal	1
MP2817	8930031830	O ring SO-008-17	2
MP2818	8010016024	1632 sub chassis-4	1
MP2819	8810007410	Screw PH M3 × 6 NI	4
MP2820	8810008660	Screw PH BT M3 × 8 NI-ZU	7
MP2821	8930036350	1632 T-key	1
MP2822	8930036320	1632 key spacer	1
MP2823	8810008790	Screw FH M3 × 6 NI	2
MP2824	8610009240	Knob sprng NO.7800P	2
MP2825	8930032370	Shaft tape (A)	2
MP2831	8930045080	1632 clip	1
MP2832	8930050270	1632 LCD sponge	1

[LOGIC UNIT]

REF. NO.	ORDER NO.	DESCRIPTION	QTY.
DS2004	5010000180	LCD DLC-7978P	1
MP2001	8410002002	1632 heatsink plate-2	1
MP2002	8930035621	1632 LCD holder-1	1
MP2003	8930036280	1632 LCD-L filter	1
MP2004	8930036310	1632 LCD-U filter	1
MP2006	8810004300	Screw PH M3 × 10 ZK	1
MP2007	8830000190	Nut M3 NI BS	1
MP2008	8930036570	1632 lamp rubber	3

[VR1 BOARD]

REF. NO.	ORDER NO.	DESCRIPTION	QTY.
R2401	7210002540	Variable resistor TP96N937-15F-10KB-1540	1

[VR2 BOARD]

REF. NO.	ORDER NO.	DESCRIPTION	QTY.
R2501	7210002730	Variable resistor TP96N944-15F-10KB-1632	1

[SENSOR1 BOARD]

REF. NO.	ORDER NO.	DESCRIPTION	QTY.
S2601	2250000020	Encoder SRB18100 25KC	1

[SENSOR2 BOARD]

REF. NO.	ORDER NO.	DESCRIPTION	QTY.
S2701	2250000020	Encoder SRB18100 25KC	1

[MIC BOARD]

REF. NO.	ORDER NO.	DESCRIPTION	QTY.
J2301	6510021050	Connector A28 socket	1

[CHASSIS PARTS]

REF. NO.	ORDER NO.	DESCRIPTION	QTY.
W1012	8900006082	Cable OPC-567B	1
MF1001	2710000520	Fan SB0812H-ICOM-00	1
	2710000570	Fan VFA-8018-BH10-1000	1
MP1003	8010015771	1632 main chassis-1	1
	8010017211	1632 G-main chassis-1	1
MP1005	8850000180	Flat washer M5 SUS	3
MP1006	8850000500	Spring washer M5 SUS	1
MP1007	8830000250	Nut M5 SUS	1
MP1008	8830000370	Wing nut M5 SUS	1
MP1010	8810008630	Screw PH BT M3 × 6 NI-ZU	7
MP1011	8810008630	Screw PH BT M3 × 6 NI-ZU	7
MP1015	8810009850	Screw PH BT M4 × 12 NI-ZU	4
MP1018	8110005511	1632 cover-1	1
	8110005560	1632 G-cover	1
MP1020	8210012221	1632 rear panel-1	1
	8210015140	1632 rear panel (A)-1	1
MP1022	8930035780	1632 rear seal	1
MP1024	8930035750	1632 connector plate	1
	8930036840	1632 G-connector plate	1
MP1026	8930035740	1632 connector seal	1
MP1027	8930035760	1632 fan seal	1
MP1028	8930035730	1632 fan plate	1
MP1029	8810003840	Screw BiH M3 × 8 ZK SUS	1
MP1030	8810003840	Screw BiH M3 × 8 ZK SUS	4
	8810003840	Screw BiH M3 × 8 ZK SUS	2
MP1031	8820000550	Cap bolt M4 × 8 ZK	4
	8810008910	Screw PH M4 × 25 SUS	4
MP1038	8810003840	Screw BiH M3 × 8 ZK SUS	9
MP1040	8810008790	Screw FH M3 × 6 NI	4
MP1043	8810003840	Screw BiH M3 × 8 ZK SUS	4
MP1044	8930037050	1632 side seal	4
MP1045	8930037030	1562 stand-off	2
	8930037030	1562 stand-off	4
MP1046	8930036390	1562 CA-plate	2
MP1047	8810008800	Screw PH UNC NO.4 × 4 SUS	4
MP1050	8930037900	Himelon sheet BB	1
MP1051	8930040020	Himelon sheet BJ	4
MP1055	8850001700	Insulation flat washer (Y)	4
MP1056	8850001691	Insulation flat washer (X)-1	3
MP1057	8930045110	1632 G-A seal	1
MP1058	8930045100	1632 G-B seal	1
MP1059	8930050321	Thermally sheet (M)-1	1
MP1060	8930050331	Thermally sheet (N)-1	1
MP1061	8850001810	Sealing washer (V)	13

[FILTER BOARD]

REF. NO.	ORDER NO.	DESCRIPTION	QTY.
MP4301	8930014140	Earth spring (D)	1

[PA150W BOARD]

REF. NO.	ORDER NO.	DESCRIPTION	QTY.
MP4001	8860000110	Earth lug B3 (M4) AG BS	1
MP4002	8860000110	Earth lug B3 (M4) AG BS	1
MP4004	6910008240	Clip 59TN4772	1
MP4005	6910008240	Clip 59TN4772	1

[PA PARTS]

REF. NO.	ORDER NO.	DESCRIPTION	QTY.
F4601	5220000210	Holder FH-052S	1
F4602	5220000210	Holder FH-052S	1
F4603	5210000090	Fuse FGB 30A	1
F4604	5210000090	Fuse FGB 30A	1
J4601	6510000370	Connector MR-DS	1
W4603	8900005701	Cable OPC-569A	1
EP4603	6910000340	Sheet P101 KD	[EUR] 1
EP4604	6910000340	Sheet P101 KD	[EUR] 1
EP4605	6910000340	Sheet P101 KD	1
EP4607	6910000310	Insulation plate B312D	[EUR] 1
EP4608	6910000310	Insulation plate B312D	[EUR] 1
EP4609	6910000310	Insulation plate B312D	1
EP4611	8930024970	1241 insulation sheet	[EUR] 1
EP4612	8930024970	1241 insulation sheet	[EUR] 1
MP4601	8810008630	Screw PH BT M3 × 6 NI-ZU	4
MP4602	8810008630	Screw PH BT M3 × 6 NI-ZU	[EUR] 3
MP4603	8810008630	Screw PH BT M3 × 6 NI-ZU	4
MP4604	8810008630	Screw PH BT M3 × 6 NI-ZU	8
MP4605	8810003840	Screw BiH M3 × 8 ZK SUS	2
MP4608	8410002173	1632 heatsink (A)-3	[Others] 1
	8410002183	1632 heatsink (B)-3	[GMDSS] 1
MP4609	8110005391	1632 PA cover-1	1
MP4610	8930035790	1632 ANT plate	1
MP4611	8810008630	Screw PH BT M3 × 6 NI-ZU	25
MP4612	8810007410	Screw PH M3 × 6 NI	1
MP4613	8810007410	Screw PH M3 × 6 NI	1
MP4614	8810007410	Screw PH M3 × 6 NI	1
MP4615	8810007410	Screw PH M3 × 6 NI	1
MP4616	8810007410	Screw PH M3 × 6 NI	1
MP4617	8810008460	Setscrew H M2.6 × 16 NI	1
MP4618	8810008490	Setscrew H M2.6 × 8 NI	1
		[GEN-21], [GEN-22]	1
	8810009040	Setscrew H M2.6 × 10 NI	[EUR-21] 1
	8810008460	Setscrew H M2.6 × 16 NI	[GMDSS] 1
MP4619	8810008490	Setscrew H M2.6 × 8 NI	1
		[GEN-21], [GEN-22]	1
	8810009040	Setscrew H M2.6 × 10 NI	[EUR-21] 1
	8810008460	Setscrew H M2.6 × 16 NI	[GMDSS] 1
MP4620	8810008460	Setscrew H M2.6 × 16 NI	1
MP4623	8810007410	Screw PH M3 × 6 NI	[EUR] 1
MP4628	8930020810	Insulation washer (M) [GMDSS], [EUR-21]	4
	8930020810	Insulation washer (M) [GEN-21], [GEN-22]	2
MP4629	8930034300	1542 ANT seal	[GMDSS] 1
MP4630	8930035770	1632 heatsink seal	[GMDSS] 1
MP4631	8810007410	Screw PH M3 × 6 NI	2
MP4632	8810007410	Screw PH M3 × 6 NI	2
MP4633	8930045030	1632 F-cover	[GMDSS] 2
MP4634	8930036300	1632 FH-B seal	[Others] 2
MP4635	8930015750	Himelon sheet S	1
MP4636	8930037870	1632 PA-A sheet	4
MP4637	8930037880	1632 PA-B sheet	4
MP4639	8930038720	1632 REG sponge	[EUR] 1
MP4640	8930038730	1632 REG plate	[EUR] 1
MP4641	8410002200	1632 PA heatsink	[GMDSS] 1
MP4642	8930045040	1632 PA angle	[GMDSS] 1
MP4643	8810008300	Screw FH BT M3 × 8 NI	[GMDSS] 2
MP4645*	8930043580	1981 A-sheet (C)	[GMDSS] 1
MP4646	8930046112	1632 sheet-2 TC200TKC	[GMDSS] 1

Screw abbreviations BT: Self-tapping PH: Pan head
 FH: Flat head BiH: Binding head
 ZK: Black BS: Brass
 NI: Nickel SUS: Stainless
 NI-ZU: Nickel-Zinc

[MAIN UNIT]

REF. NO.	ORDER NO.	DESCRIPTION	QTY.
MP1	8510000230	220 shield case	1
MP2	8510000241	220 shield case cover -1	1
MP3	8510002200	VCO case	1
MP4	8510000230	220 shield case	1
MP5	8510008300	963 DDS shield case	1
MP6	8510008310	963 DDS shield cover	1
MP8	8510001060	Shield case	1
MP9	8510001740	Shield case top cover	1
MP10	8930011830	Holder 9M filter lug	[Others] 1
MP11	8510004640	220 shield plate (C)	1
MP12	8930005440	Insulation plate E	1
MP13	8510004640	220 shield plate (C)	1
MP14	8930005440	Insulation plate E	1
MP15	8510000241	220 shield case cover -1	1
MP16	8930005320	Filter spacer	2

[PLL/PLL-A UNIT]

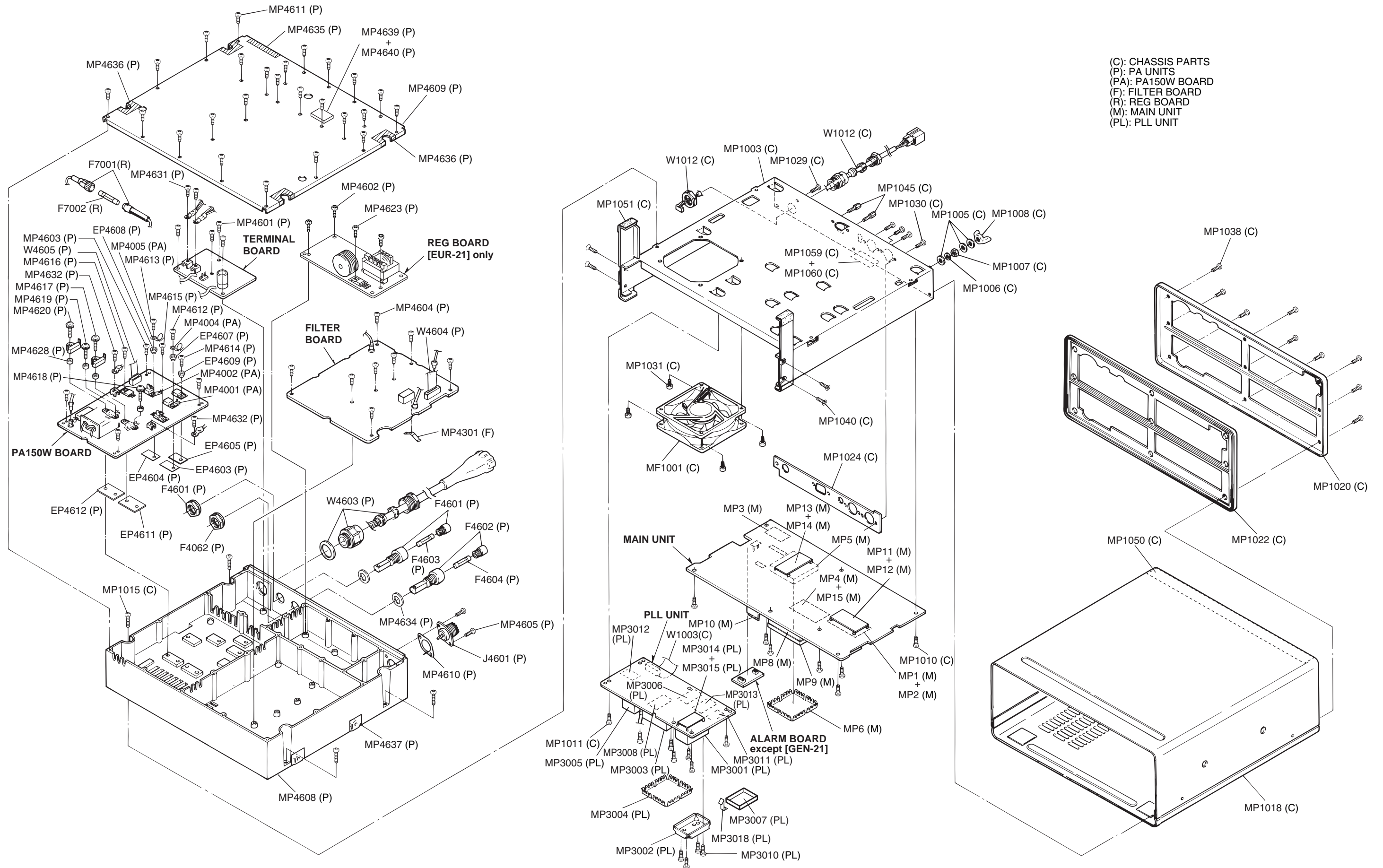
REF. NO.	ORDER NO.	DESCRIPTION	QTY.
MP3001	8510009220	1386 shield case	1
MP3002	8510009860	1632 shield cover	1
MP3003	8510008300	963 DDS shield case	1
MP3004	8510008310	963 DDS shield cover	1
MP3005	8510000230	220 shield case	1
MP3006	8510000881	194 VCO case-1	1
MP3007	8510006510	194 VCO case cover (E)	1
MP3008	8510005330	Coil case	1
MP3010	8810008860	Setscrew A 2.6 × 5	4
MP3011	8510002200	VCO case	1
MP3012	8510006941	DTMF shield case-1	1
MP3013	8510002200	VCO case	1
MP3014	8510000210	194 shield plate	1
MP3015	8930005570	Insulation plate U	1
MP3016*	8930045120	1632 PLL plate	[GMDSS] 1
MP3018	8930050240	1632 PLL spring	[Others] 1

[ACCESSORIES]

REF. NO.	ORDER NO.	DESCRIPTION	QTY.
F1201	5210000090	Fuse FGB 30A	2
F1202	5210000060	Fuse FGB 5A	2
J1201	6450001270	Connector TCP0577-71-5201	1
J1202	6450001280	Connector TCP0587-71-5401	1
J1203	5610000040	Connector AP321	1
W1201	8900006070	Cable OPC-568	1
EP1202	6910009540	Insulation plate WS07MF-0A	4
EP1204	6910009390	Cover TCP9426-01-010	[GMDSS] 1
MC1201	7700001980	Microphone EM-101 except [EUR-22]	1
MP1203	8850000180	Flat washer M5 SUS	4
MP1207	8830000260	Nut M6 SUS	8
MP1208	8850000510	Spring washer M6 SUS	4
MP1211	8010016140	1632 mobil bracket	1
MP1212	8810001500	Screw PH A M6 × 30 SUS	4
MP1214	8810001470	Screw PH A M3.5 × 30 SUS except [EUR-22]	2
MP1215	8850000200	Flat washer M6 (6 × 20 × 1.5) SUS	8
MP1216	8820000170	Knob bolt (A) M5 × 10 SUS	4
MP1217	8930036560	1632 cushion rubber	4
MP1218	8950004140	1632 mic hanger except [EUR-22]	1
MP1219	8810003500	Hex head bolt M6 × 50 SUS	4

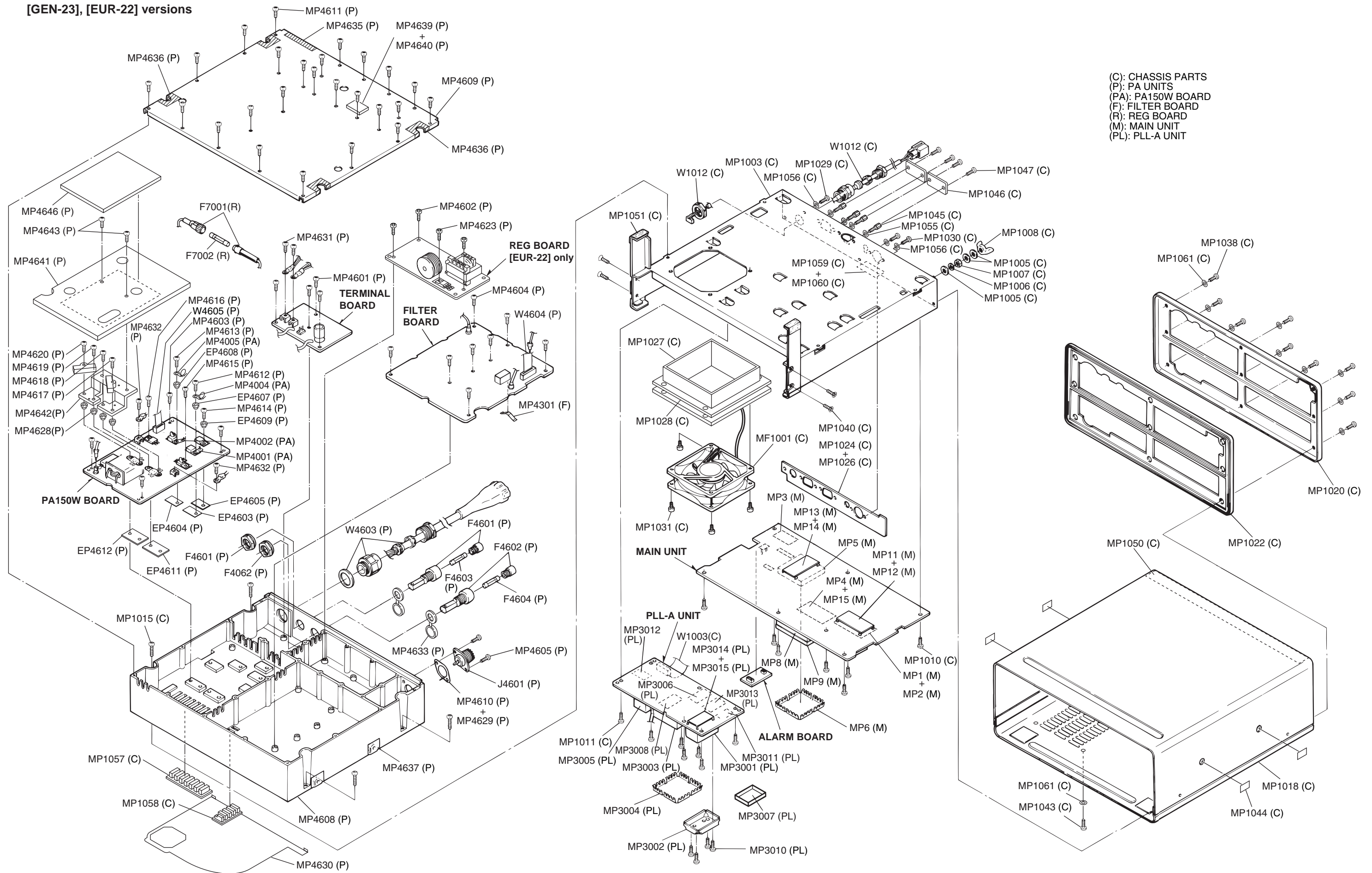
Note *: Refer to SECTION 8.

[GEN-21], [GEN-22], [EUR-21] versions



(C): CHASSIS PARTS
(P): PA UNITS
(PA): PA150W BOARD
(F): FILTER BOARD
(R): REG BOARD
(M): MAIN UNIT
(PL): PLL UNIT

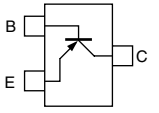
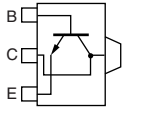
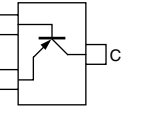
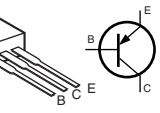
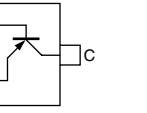
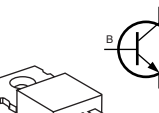
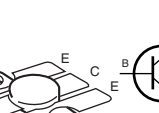
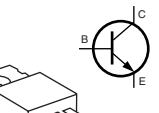
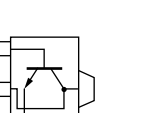
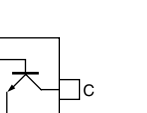
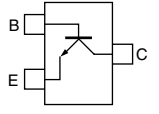
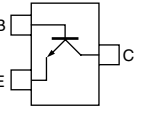
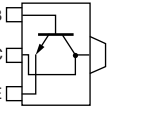
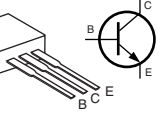
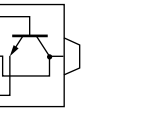
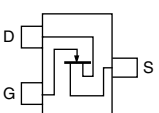
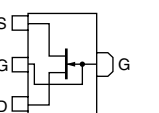
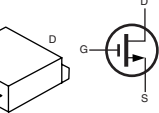
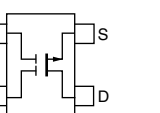
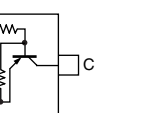
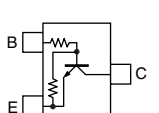
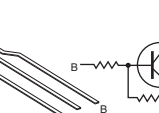
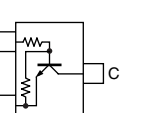
[GEN-23], [EUR-22] versions



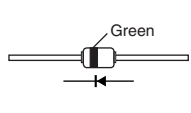
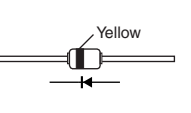
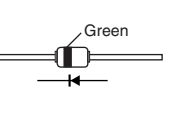
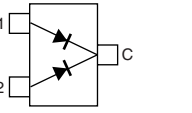
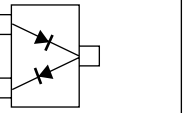
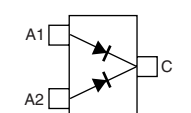
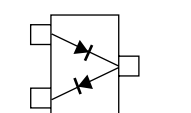
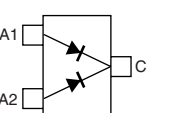
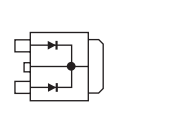
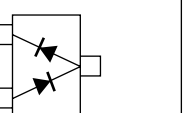
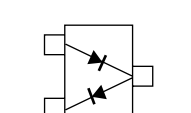
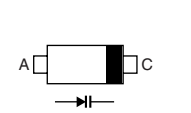
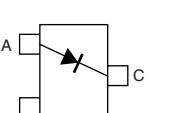
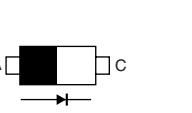
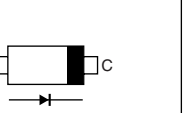
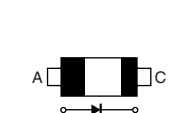
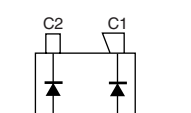
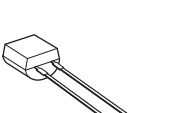
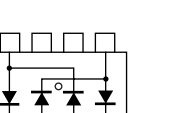
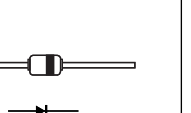
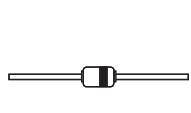
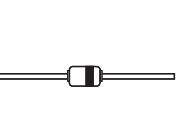
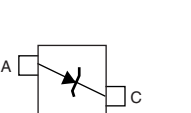
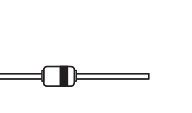
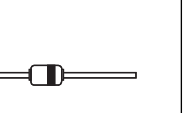
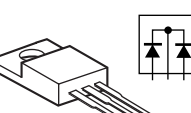
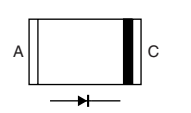
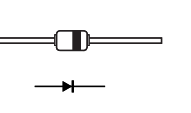
(C): CHASSIS PARTS
(P): PA UNITS
(PA): PA150W BOARD
(F): FILTER BOARD
(R): REG BOARD
(M): MAIN UNIT
(PL): PLL-A UNIT

SECTION 7 SEMI-CONDUCTOR INFORMATION

• TRANSISTOR AND FET'S

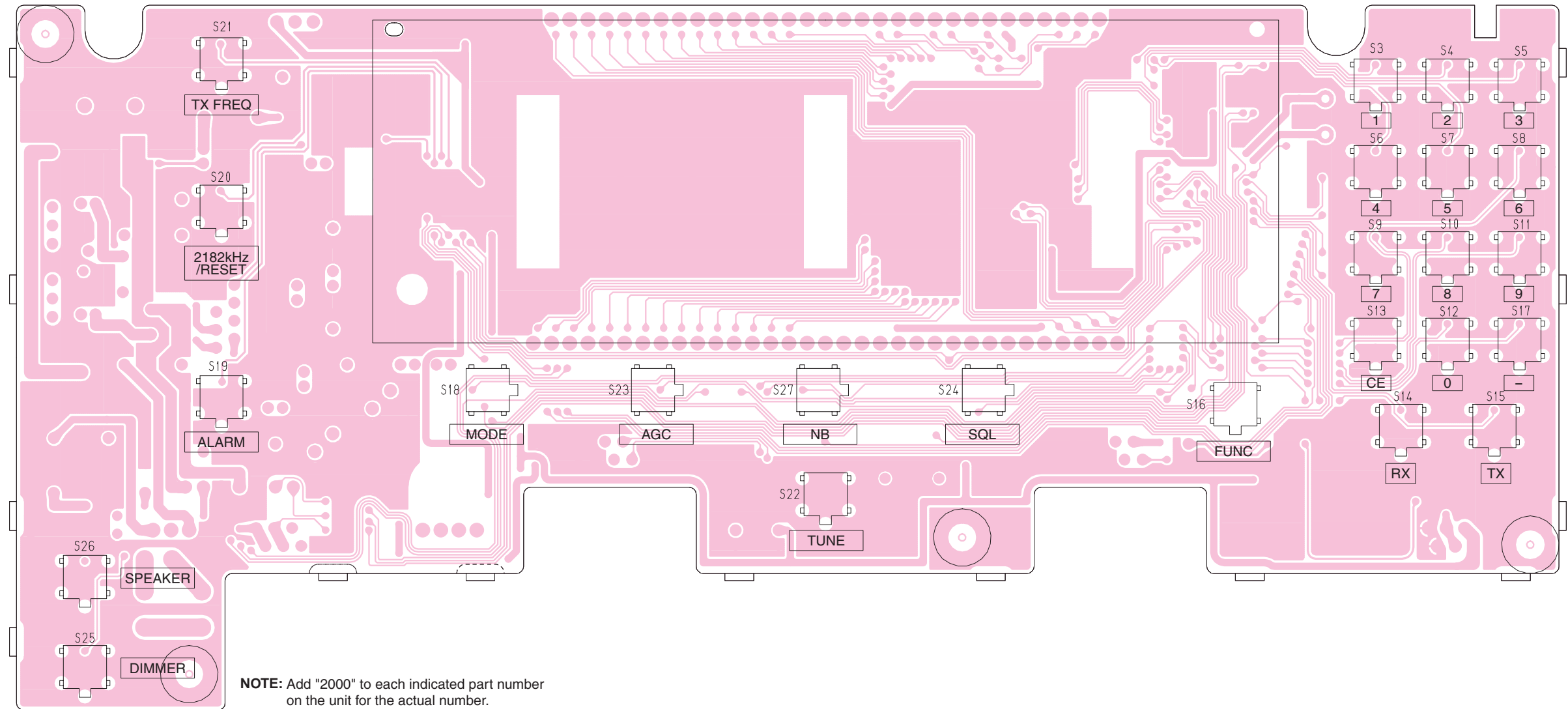
2SA1037K WT R (Symbol: FR) 	2SA1213 Y (Symbol: NY) 	2SA1586 GR (Symbol: SG) 	2SB1015 Y 	2SC1623 L6 (Symbol: L6) 
2SC1971 	2SC2904 	2SC3133 	2SC3647 S TD (Symbol: CC) 	2SC4116 GR (Symbol: LG) 
2SC4213 B (Symbol: AB) 	2SC4215 O (Symbol: QO) 	2SC4673 D TD (Symbol: CO) 	2SD1585 K 	2SD1619 T TD (Symbol: DB) 
2SK210 GR (Symbol: YG) 	2SK2171 4 TD (Symbol: KM) 	2SK2286 (Symbol: None) 	3SK131 T2 MAS (Symbol: V11) 	DTA114EUA T106 (Symbol: 14) 
DTC114EK T147 (Symbol: 24) 	DTC114ES TP 	DTC114EUA T106 (Symbol: 24) 		

• DIODES

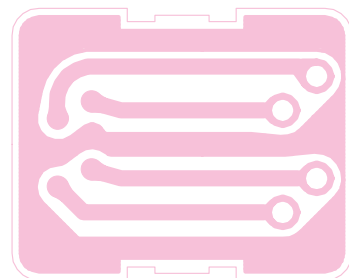
1SS55 (Symbol: Green line) 	1SS133 (Symbol: Yellow line) 	1SS165 (Symbol: Green line) 	1SS184 (Symbol: B3) 	1SS226 (Symbol: C3) 
1SS301 (Symbol: B3) 	1SS302 (Symbol: C3) 	DAN222TL (Symbol: N) 	DF30SC4M 4062 (Symbol: 30SC4M) 	HSM88ASR TR (Symbol: C3) 
HSM88AS TR (Symbol: C1) 	HVU17 TRF (Symbol: E) 	MA29B (Symbol: Y) 	MA77 (Symbol: 4B) 	MA304 (Symbol: 7R) 
MA338 (Symbol: 6H) 	MA862 (Symbol: M11) 	MBD701 (Symbol: 5H) 	ND433G (Symbol: 433) 	RD5.1E B2 (Symbol: 5.12) 
RD6.2E B2 (Symbol: 6.22) 	RD9.1E B3 (Symbol: 9.13) 	RD9.1M B1 (Symbol: 911) 	RD12E B2 (Symbol: 12) 	RD13E B2 (Symbol: 13) 
SF10SC6 (Symbol: F10SC6) 	UM9957F/TR (Symbol: None) 	XB15A204 (Symbol: 204) 		

SECTION 8 BOARD LAYOUTS

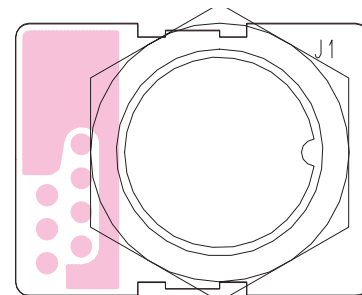
8-1 LOGIC UNIT • TOP VIEW



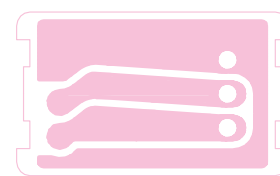
8-2 SENSOR1/2 BOARDS • TOP VIEW



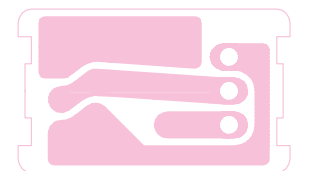
8-3 MIC BOARD • TOP VIEW



8-4 VR1 BOARD • TOP VIEW

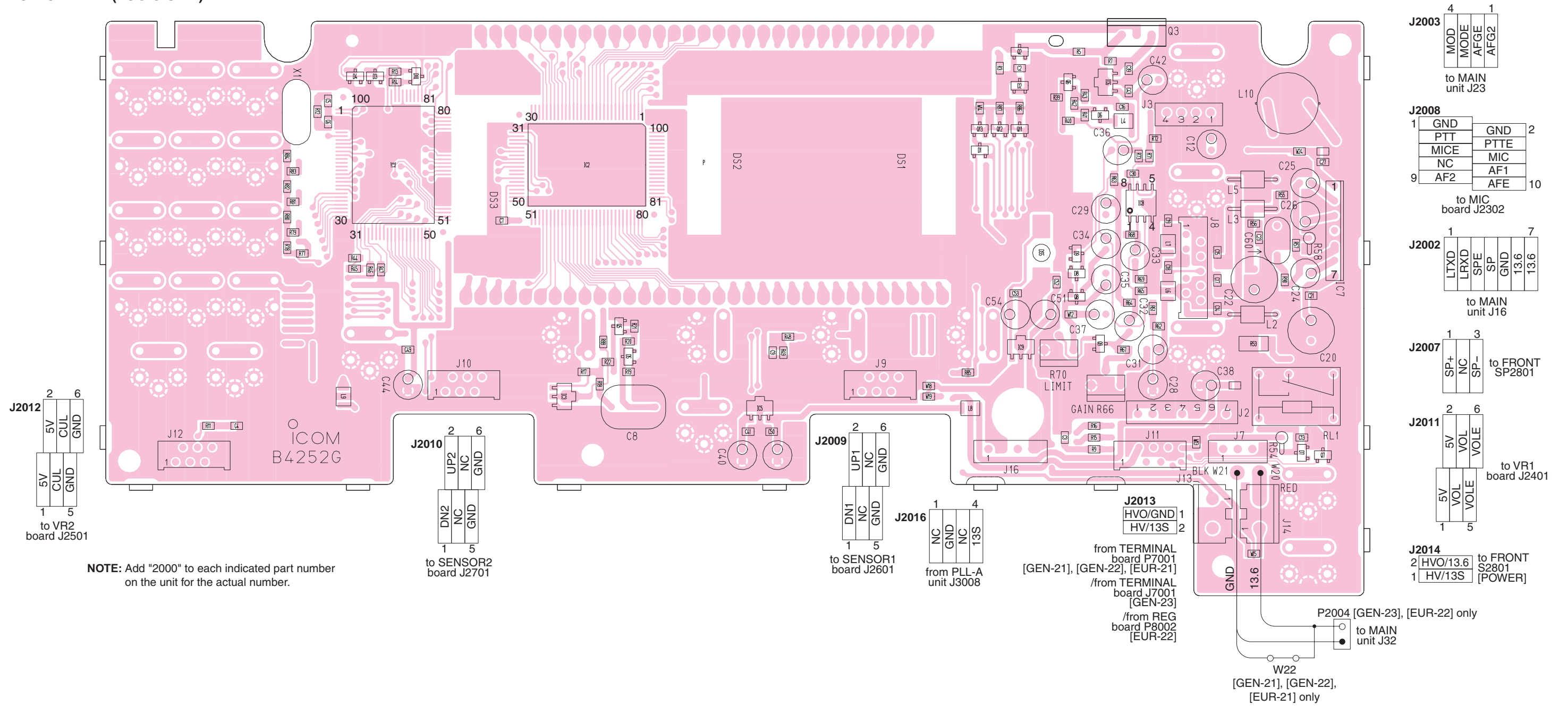


8-5 VR2 BOARD • TOP VIEW

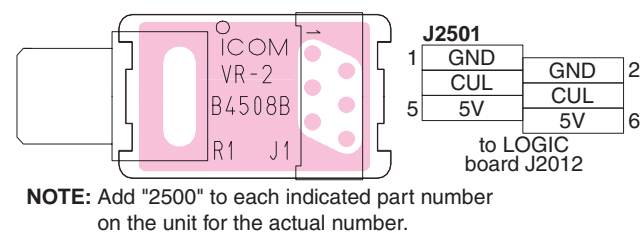


NOTE: Add "2300" to each indicated part number on the unit for the actual number.

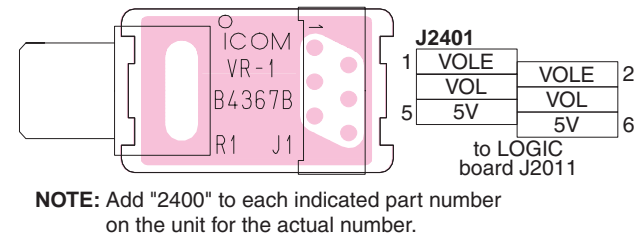
• BOTTOM VIEW (LOGIC UNIT)



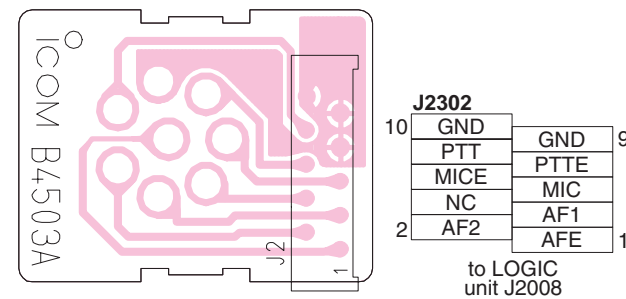
• BOTTOM VIEW (VR2 BOARD)



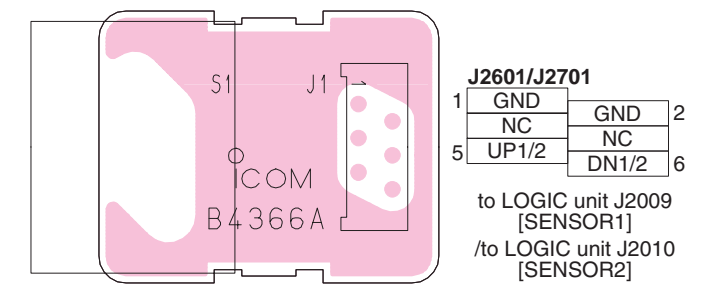
• BOTTOM VIEW (VR1 BOARD)



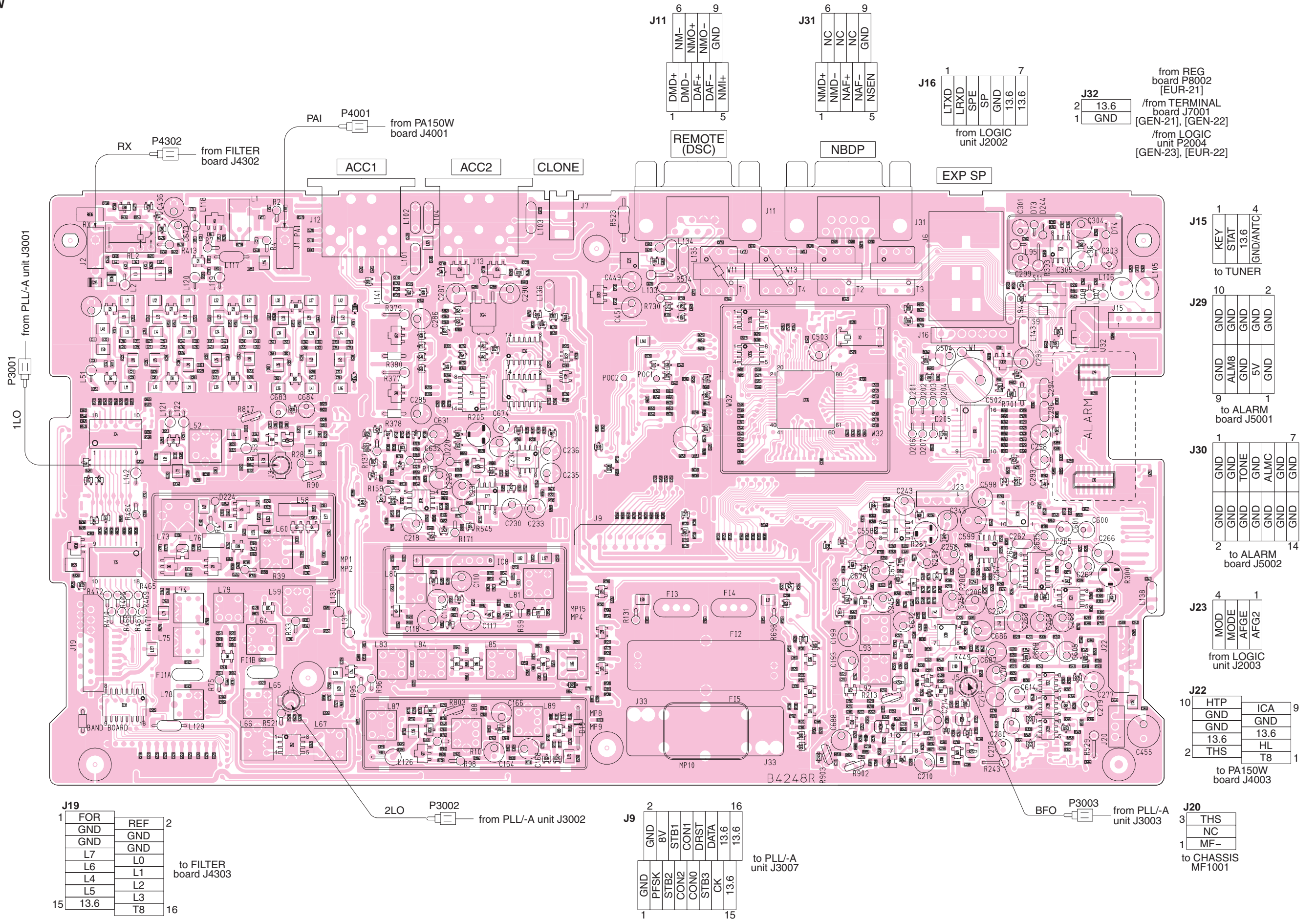
• BOTTOM VIEW (MIC BOARD)



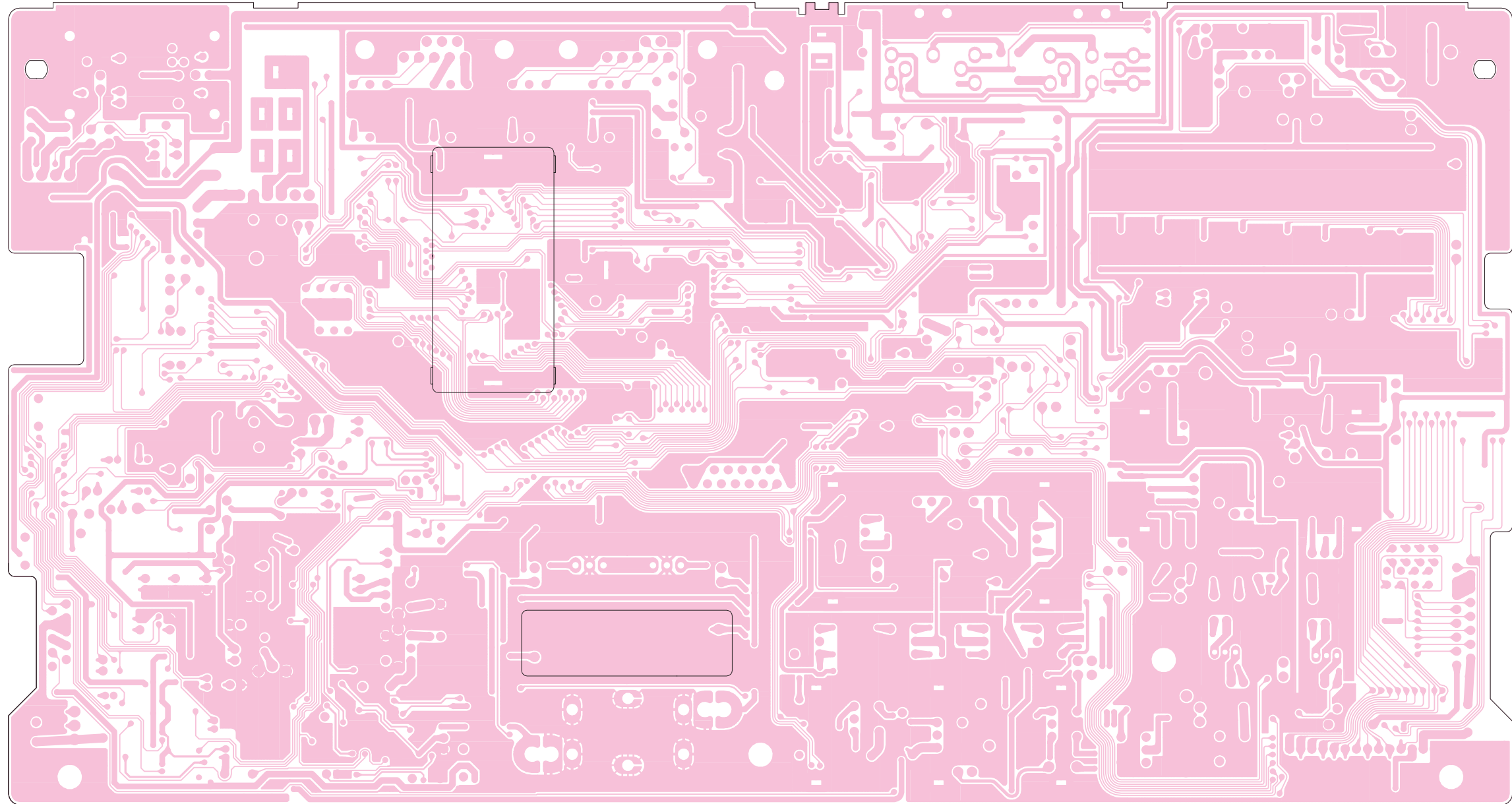
• BOTTOM VIEW (SENSOR1/2 BOARD)



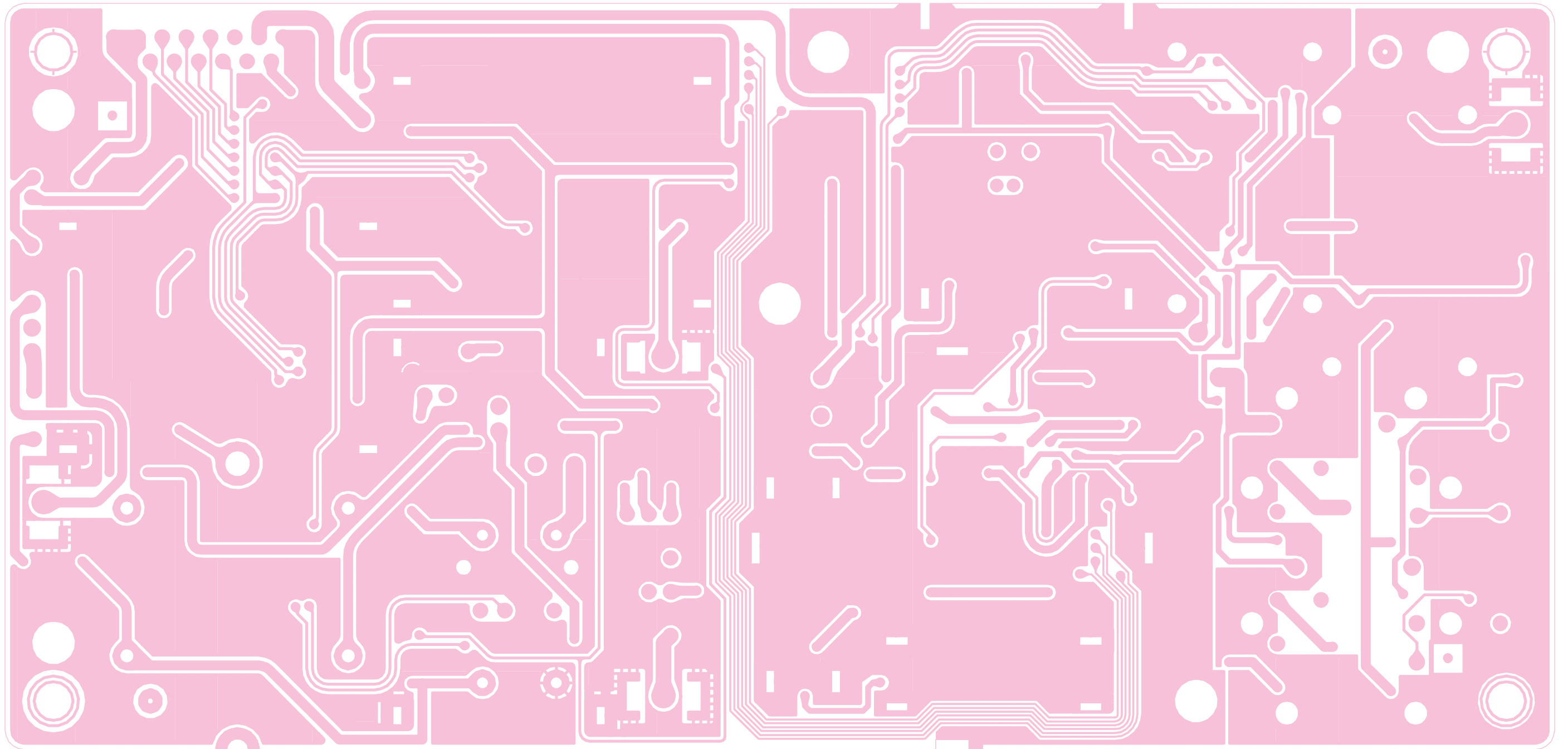
8-6 MAIN UNIT
• TOP VIEW



• BOTTOM VIEW (MAIN UNIT)

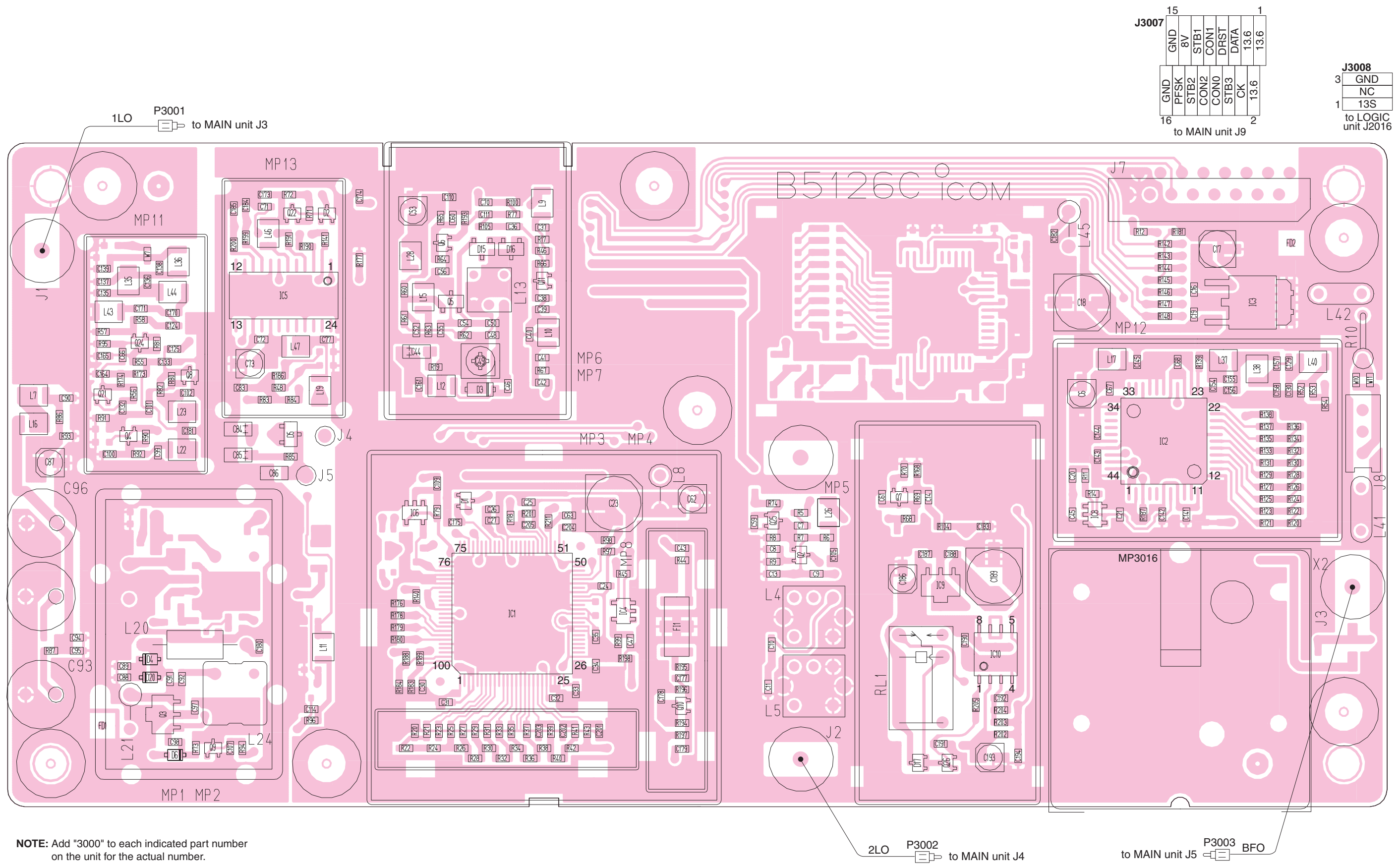


• BOTTOM VIEW (PLL UNIT)



8-8 PLL-A UNIT (for [GEN-23], [EUR-22])

• TOP VIEW



15	GND
14	8V
13	STB1
12	CON1
11	DIRST
10	DATA
9	13.6
8	13.6
7	13.6
6	13.6
5	13.6
4	13.6
3	13.6
2	13.6
1	13.6

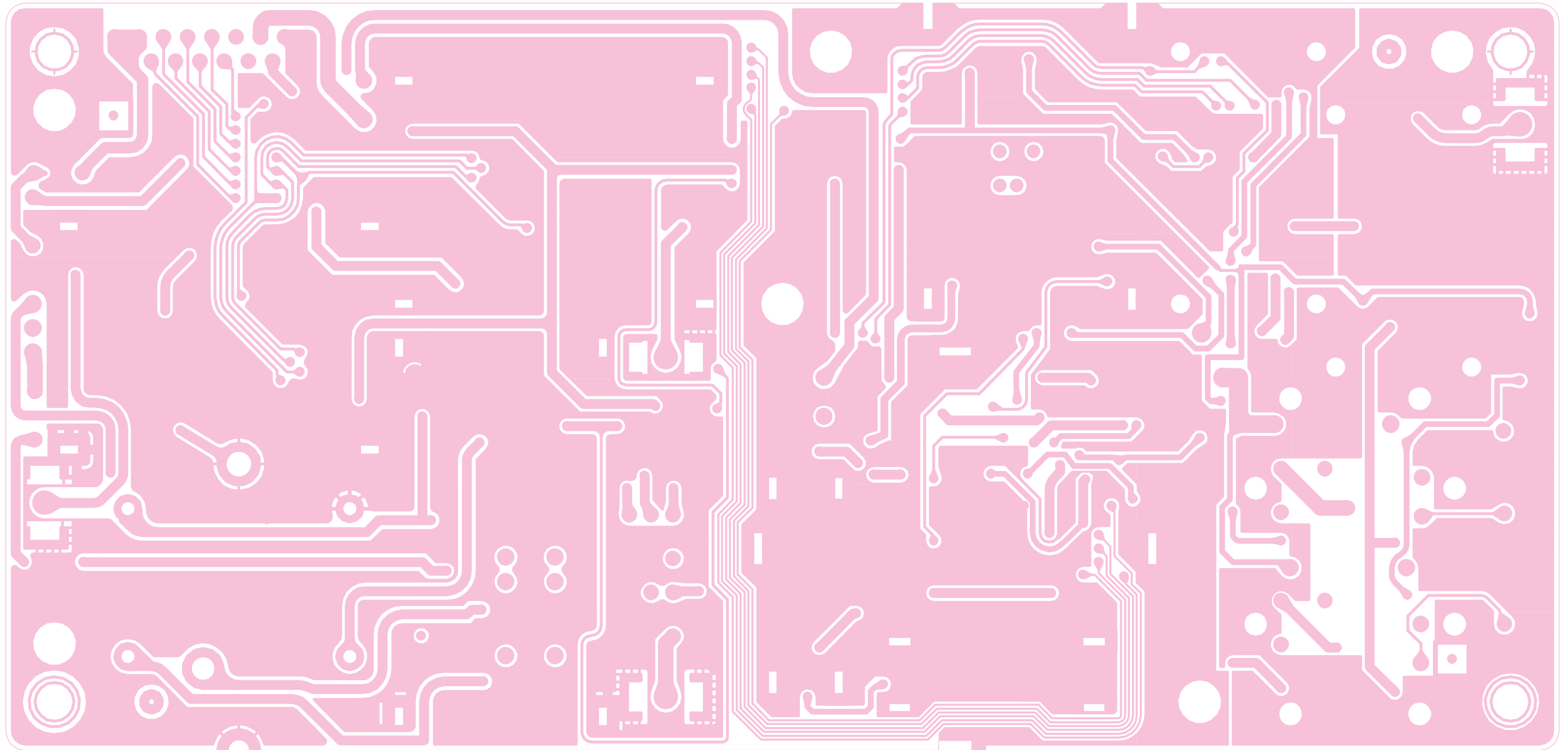
to MAIN unit J9

3	GND
2	NC
1	13S

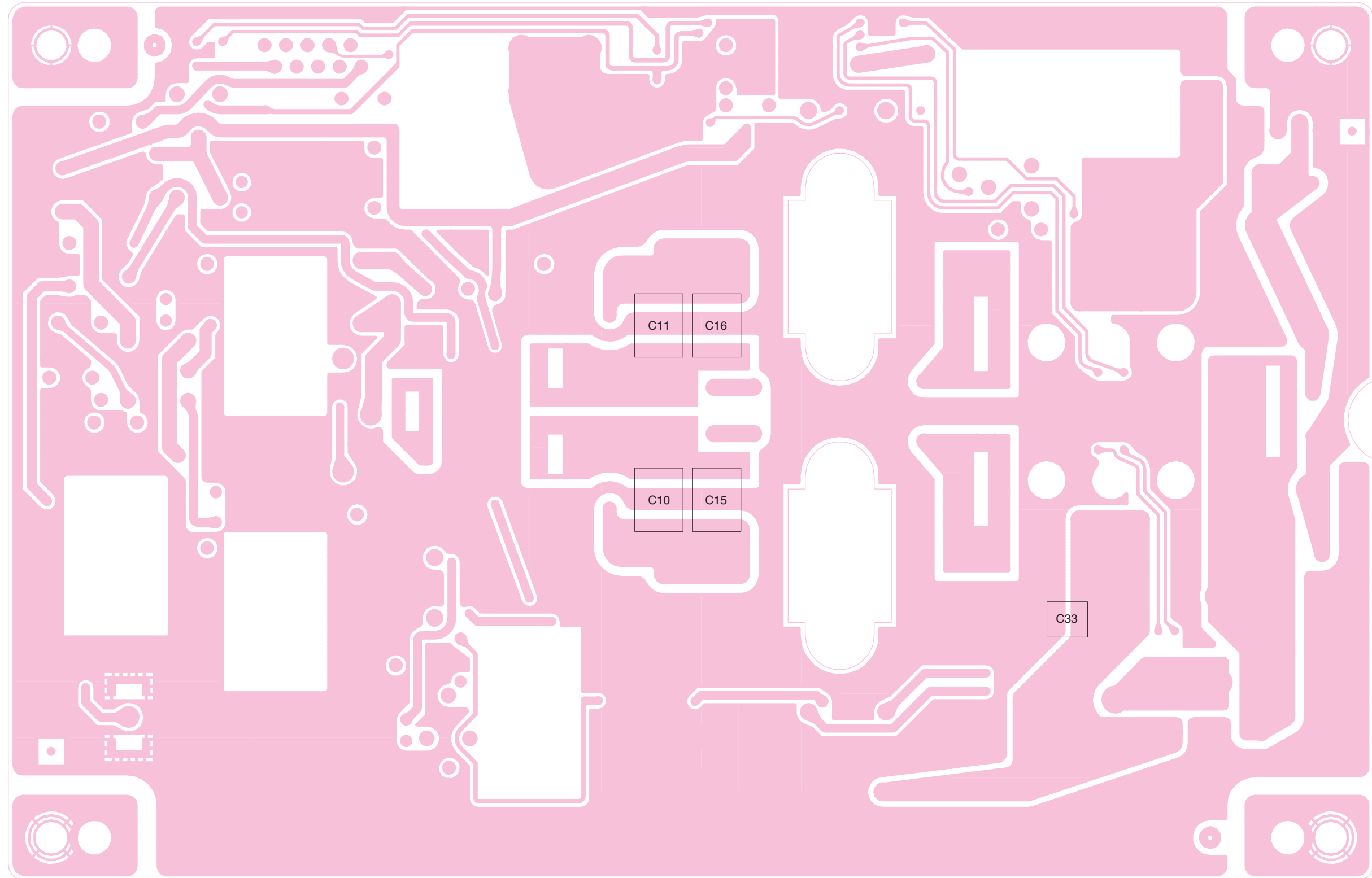
to LOGIC unit J2016

NOTE: Add "3000" to each indicated part number on the unit for the actual number.

• BOTTOM VIEW (PLL-A UNIT)

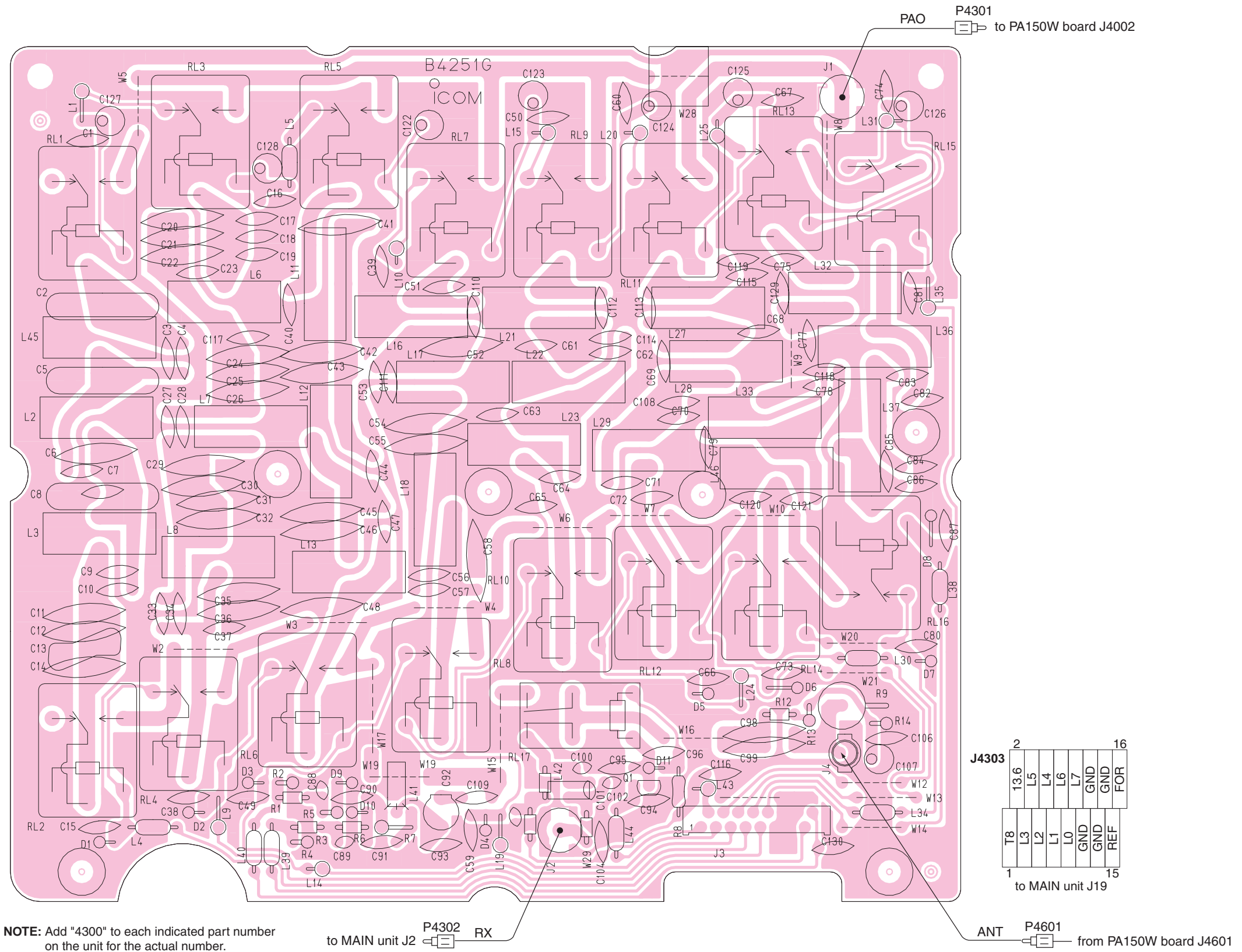


• BOTTOM VIEW (PA150W BOARD)

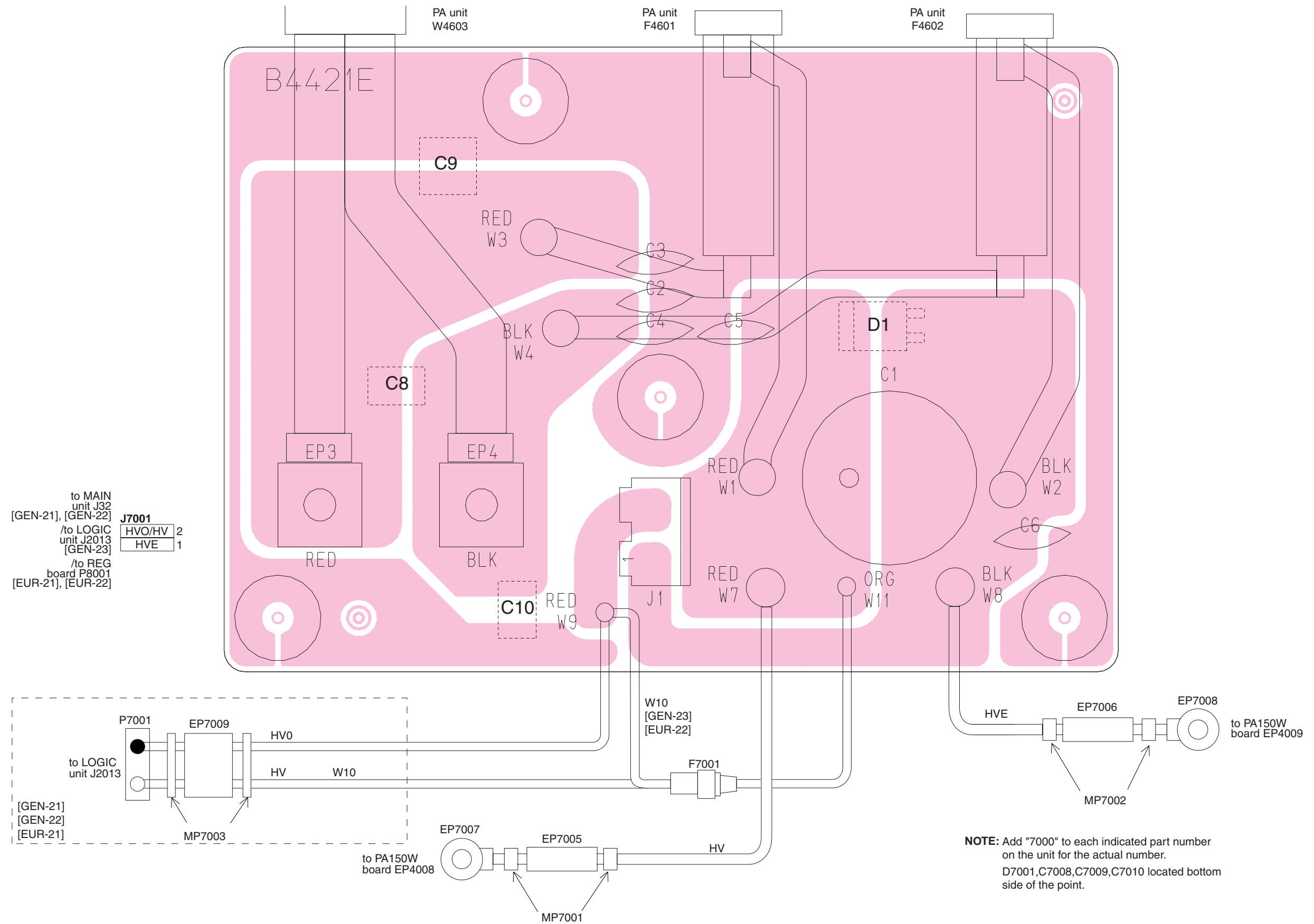


NOTE: Add "4000" to each indicated part number on the unit for the actual number.

8-10 FILTER BOARD



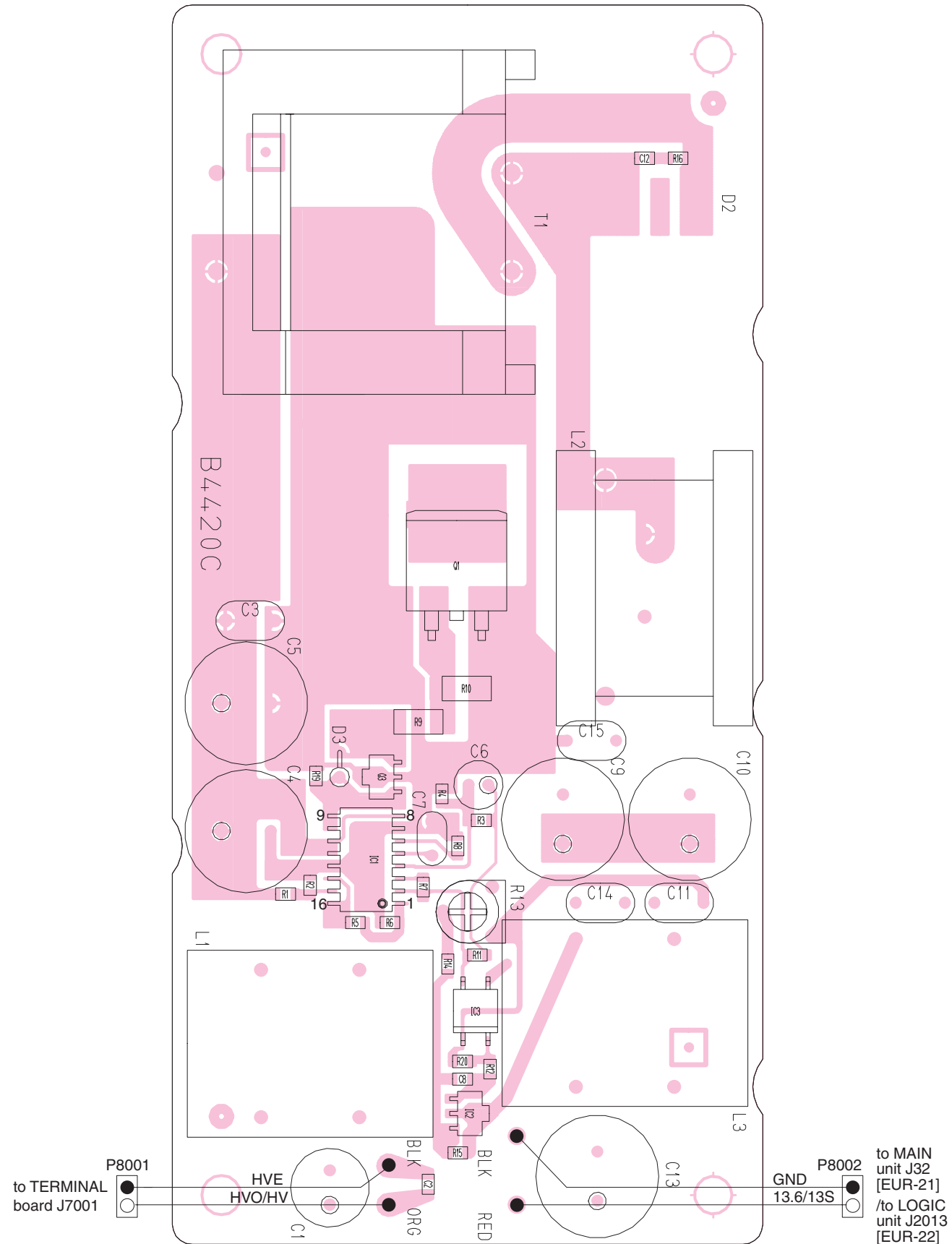
8-11 TERMINAL BOARD



NOTE: Add "7000" to each indicated part number on the unit for the actual number.
 D7001, C7008, C7009, C7010 located bottom side of the point.

8-12 REG BOARD [EUR] only

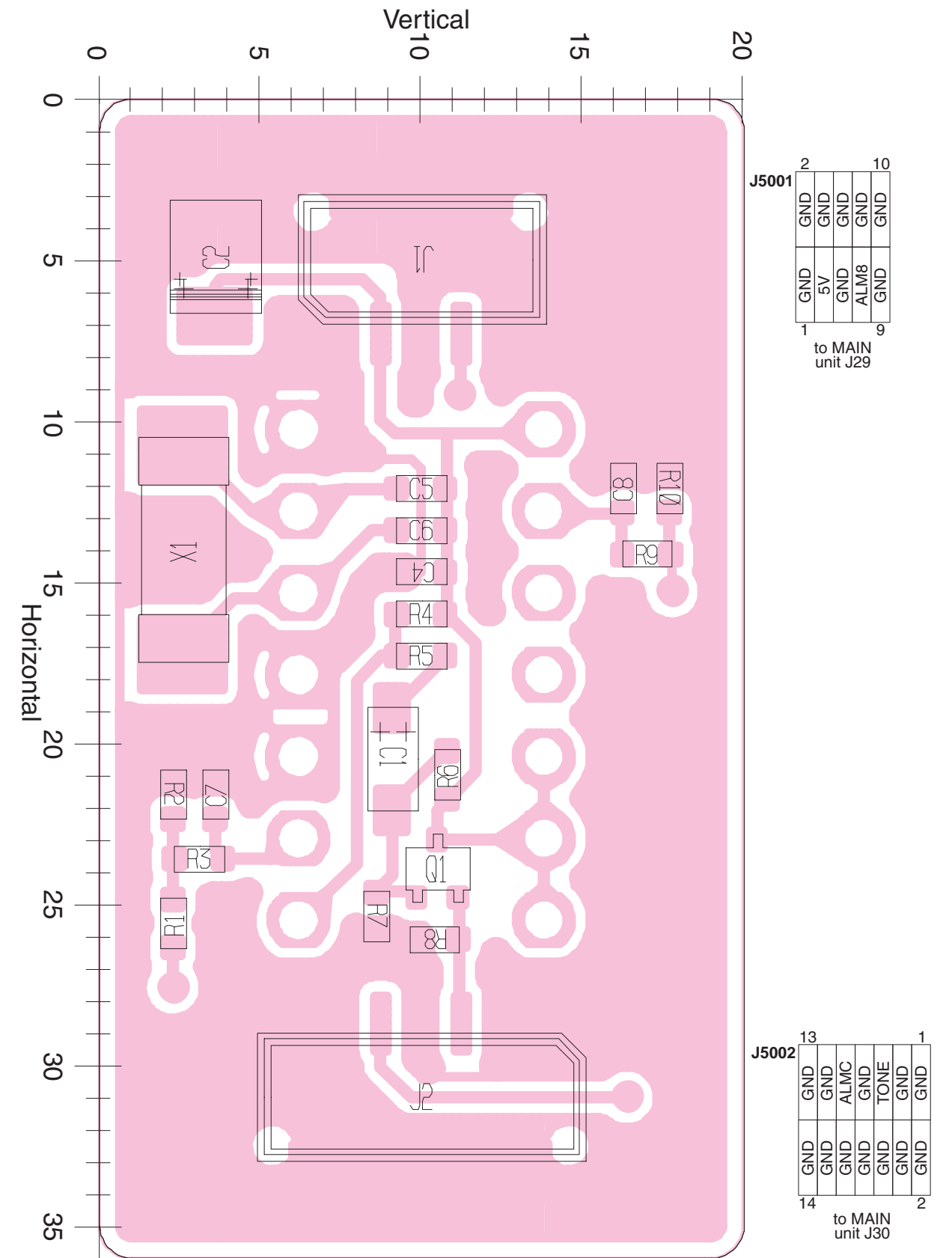
• TOP VIEW



NOTE: Add "8000" to each indicated part number on the unit for the actual number.

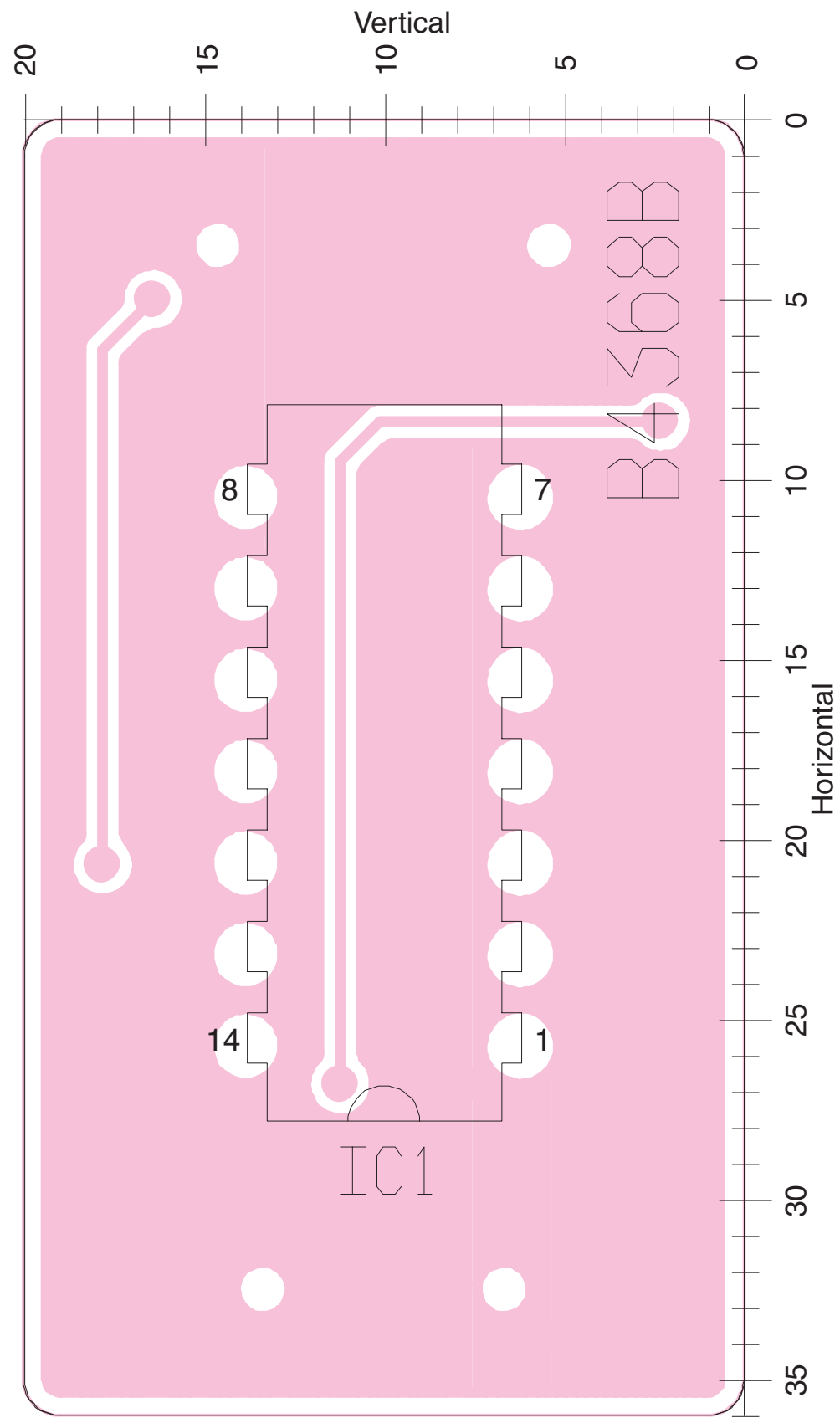
8-13 ALARM BOARD except [GEN-21]

• TOP VIEW



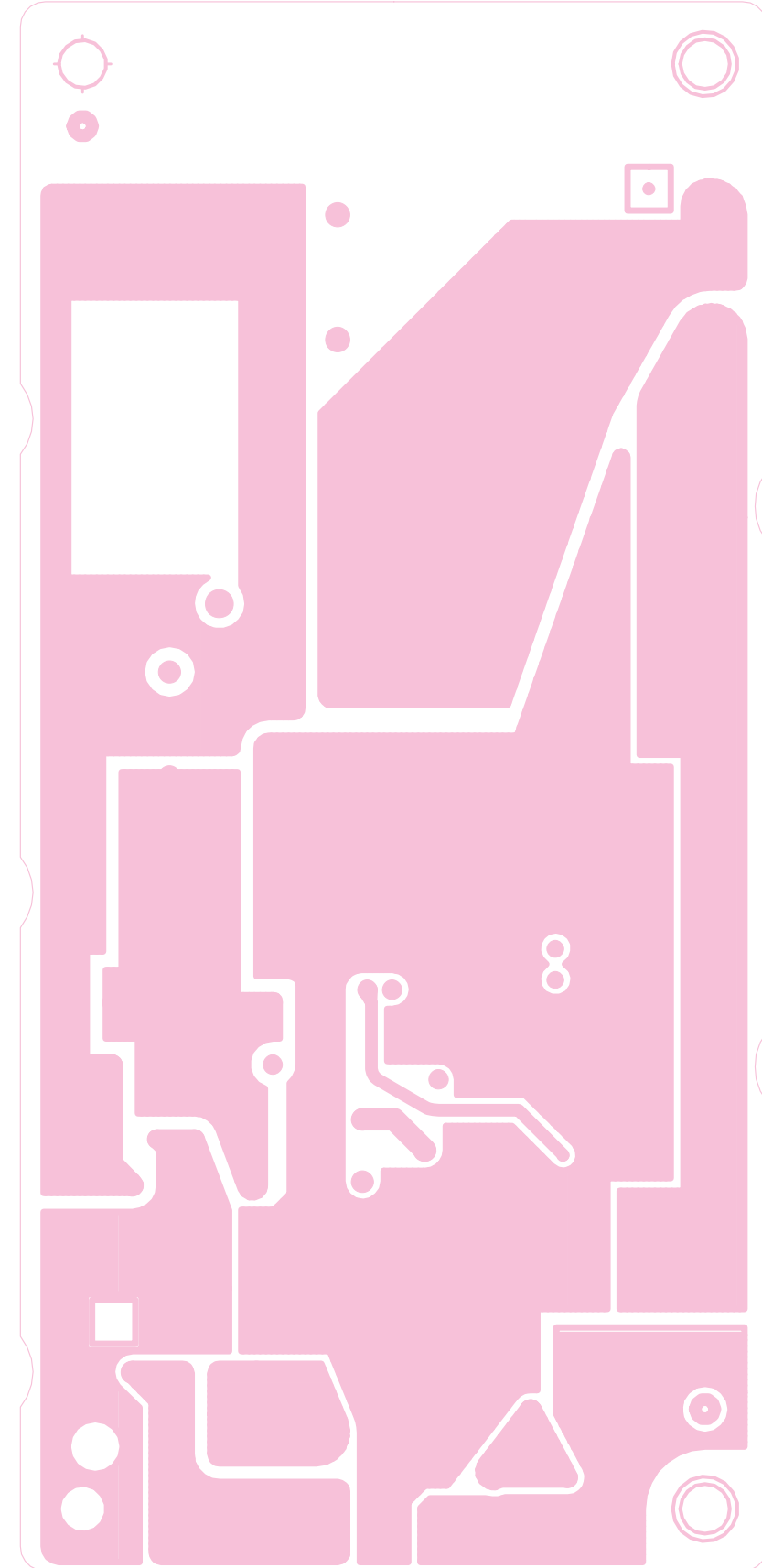
NOTE: Add "5000" to each indicated part number on the unit for the actual number.

• BOTTOM VIEW (ALARM BOARD)

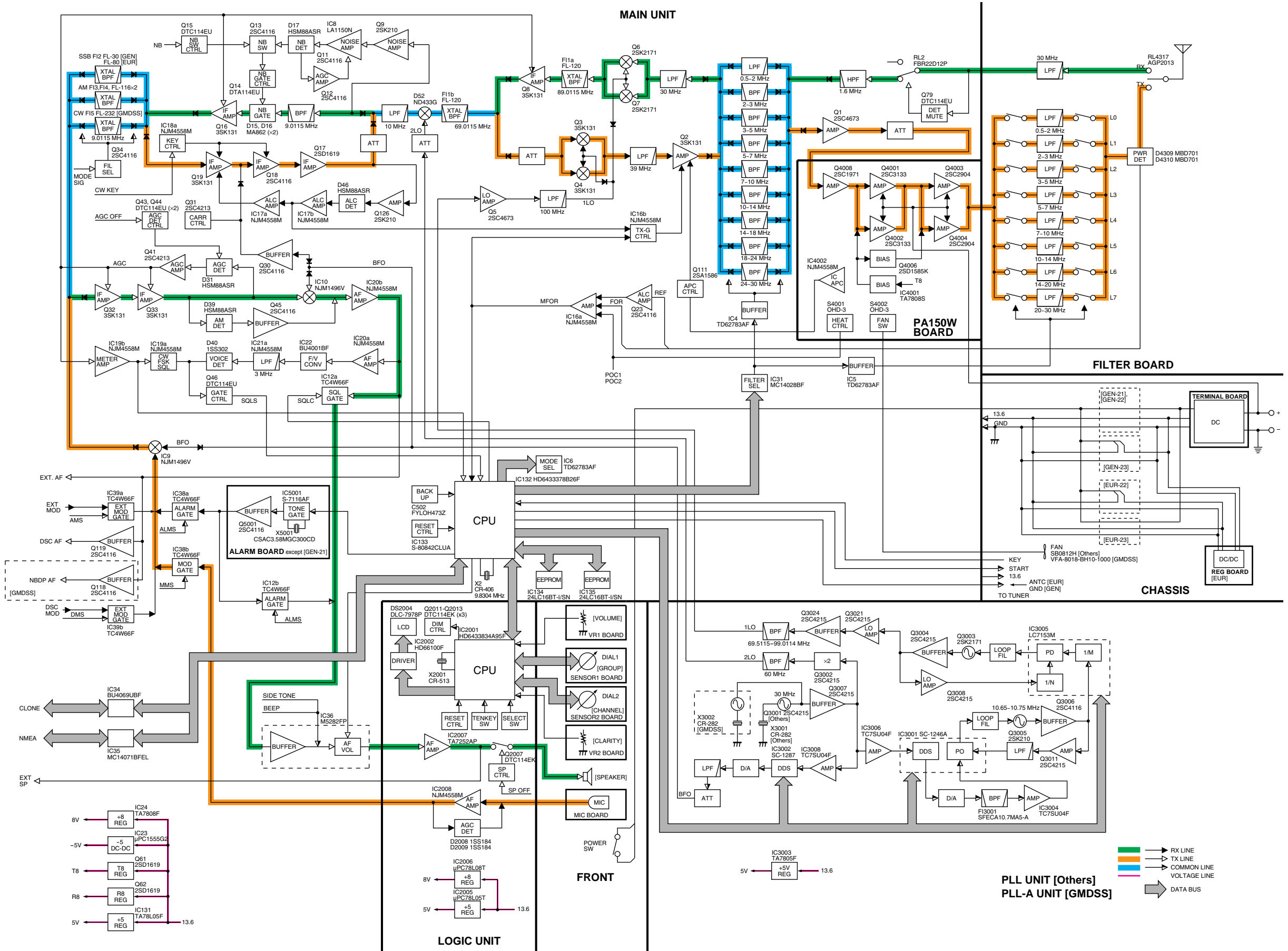


NOTE: Add "5000" to each indicated part number on the unit for the actual number.

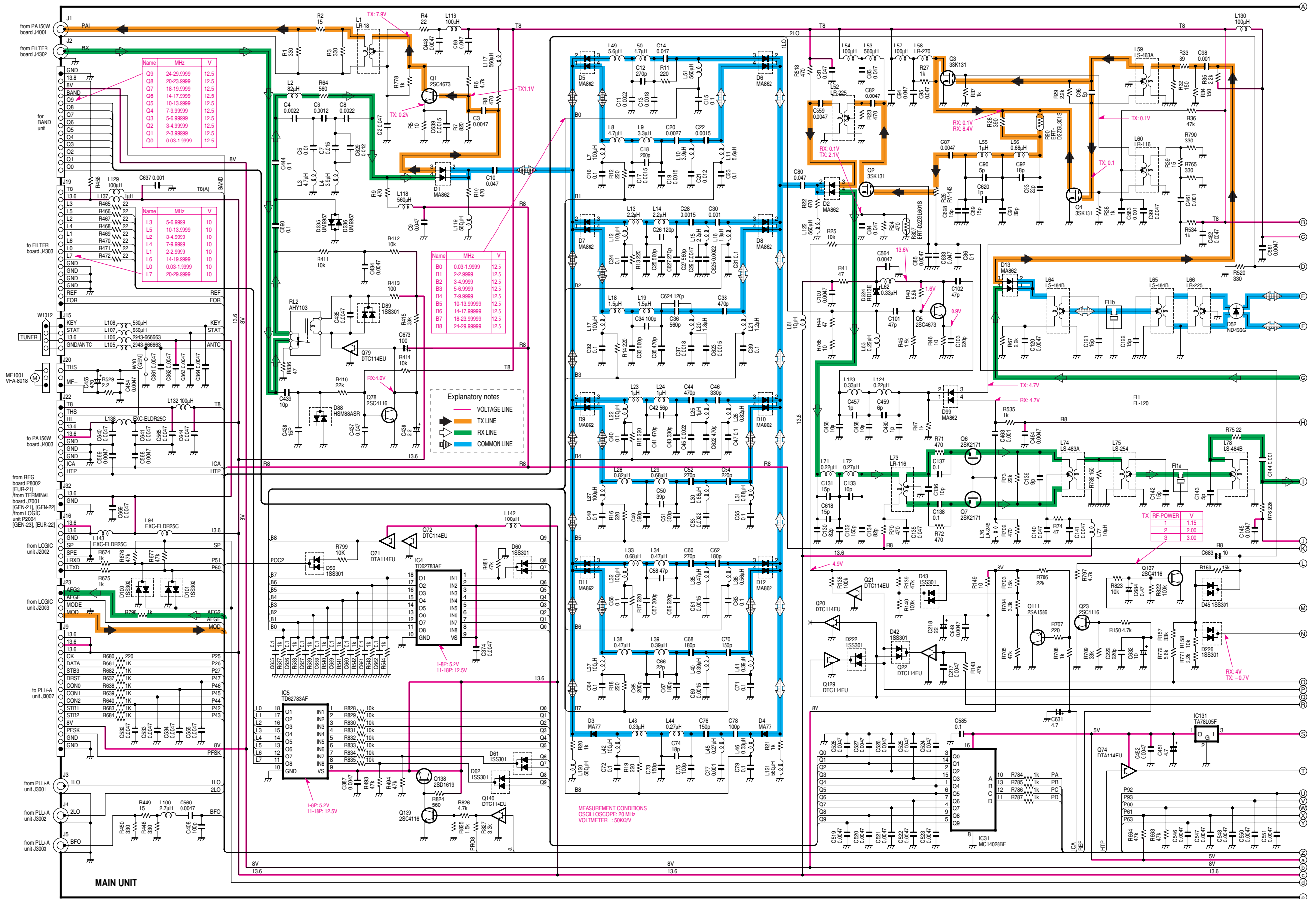
• BOTTOM VIEW (REG BOARD)

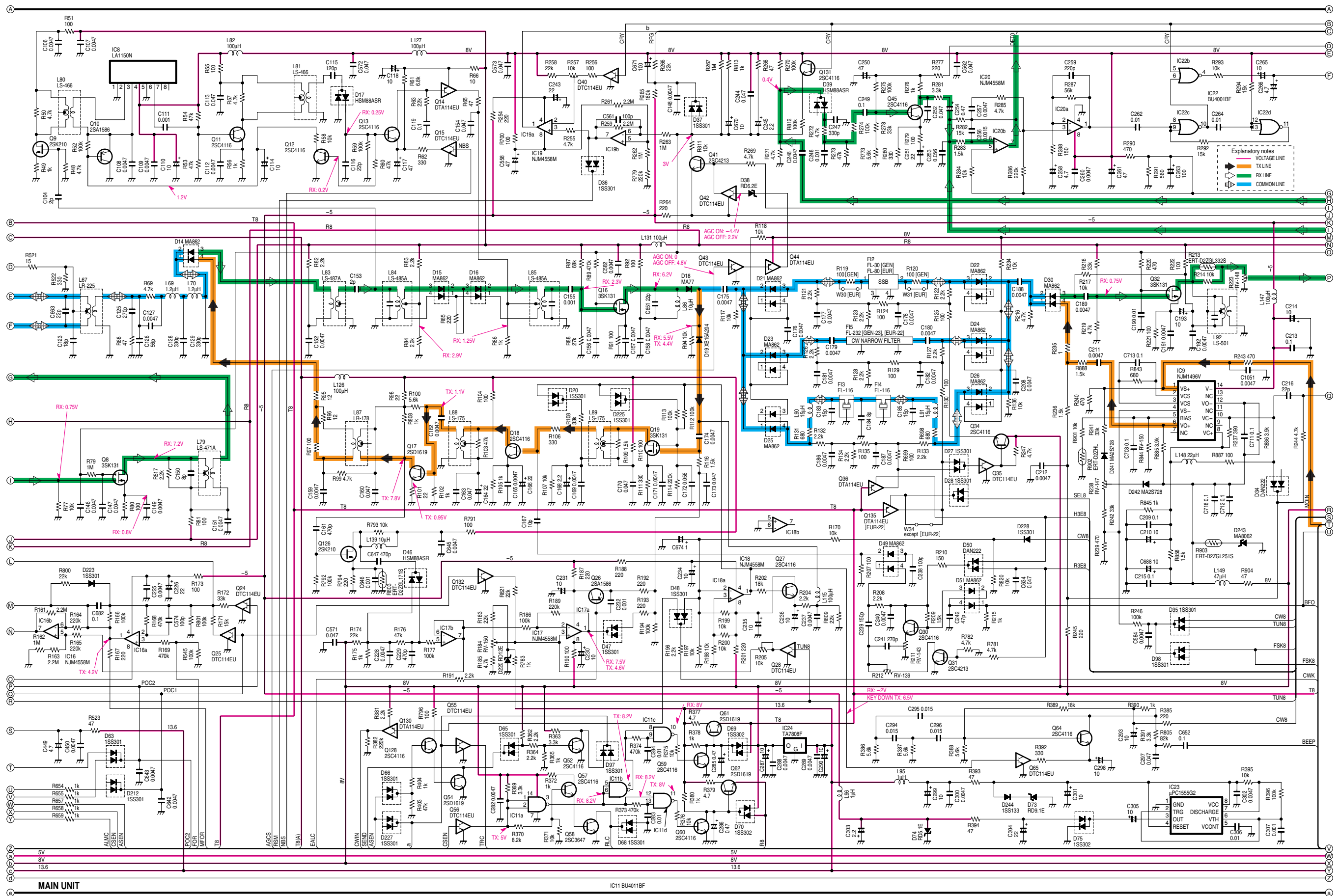


SECTION 9 BLOCK DIAGRAM



10-2 MAIN UNIT



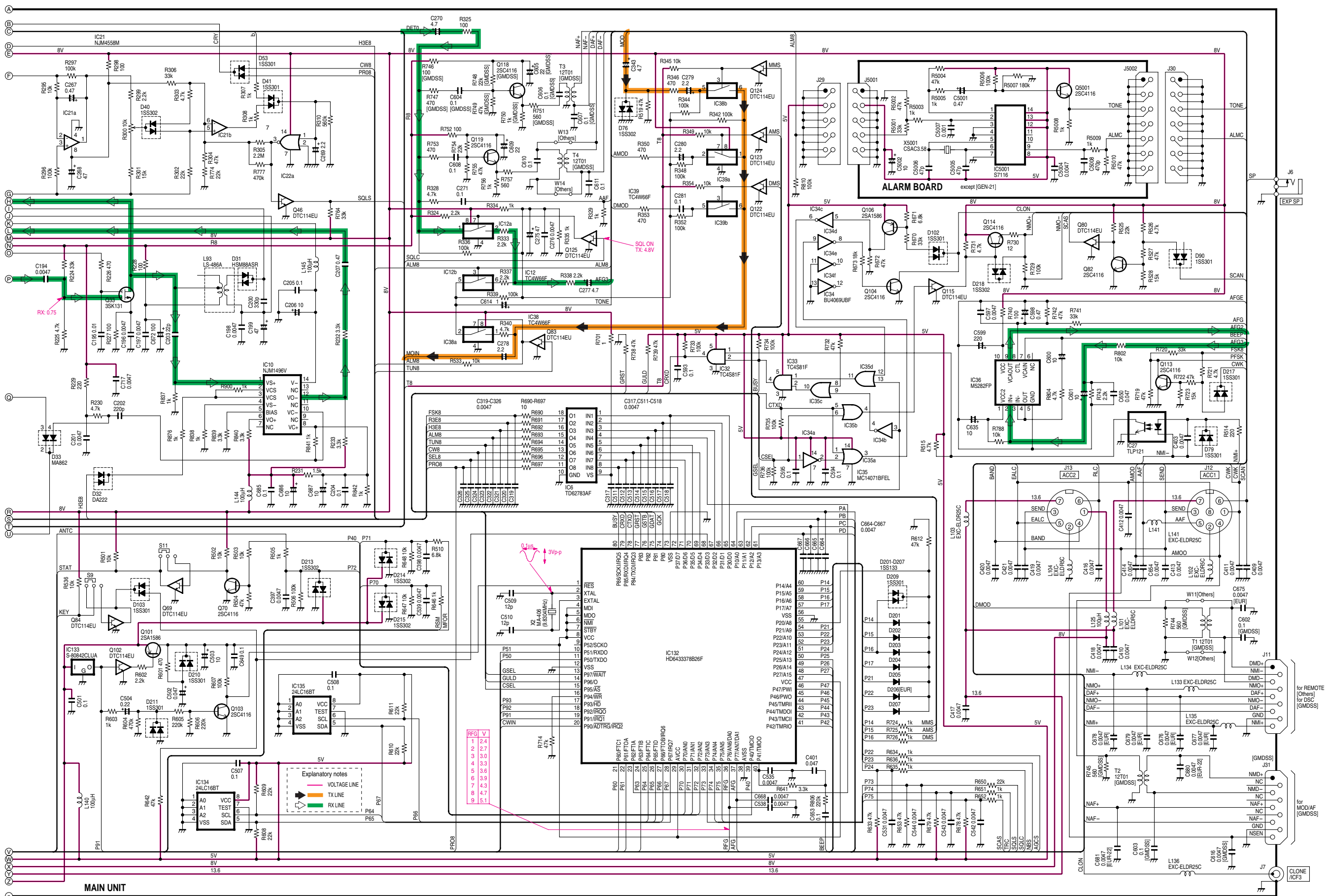


Explanatory notes

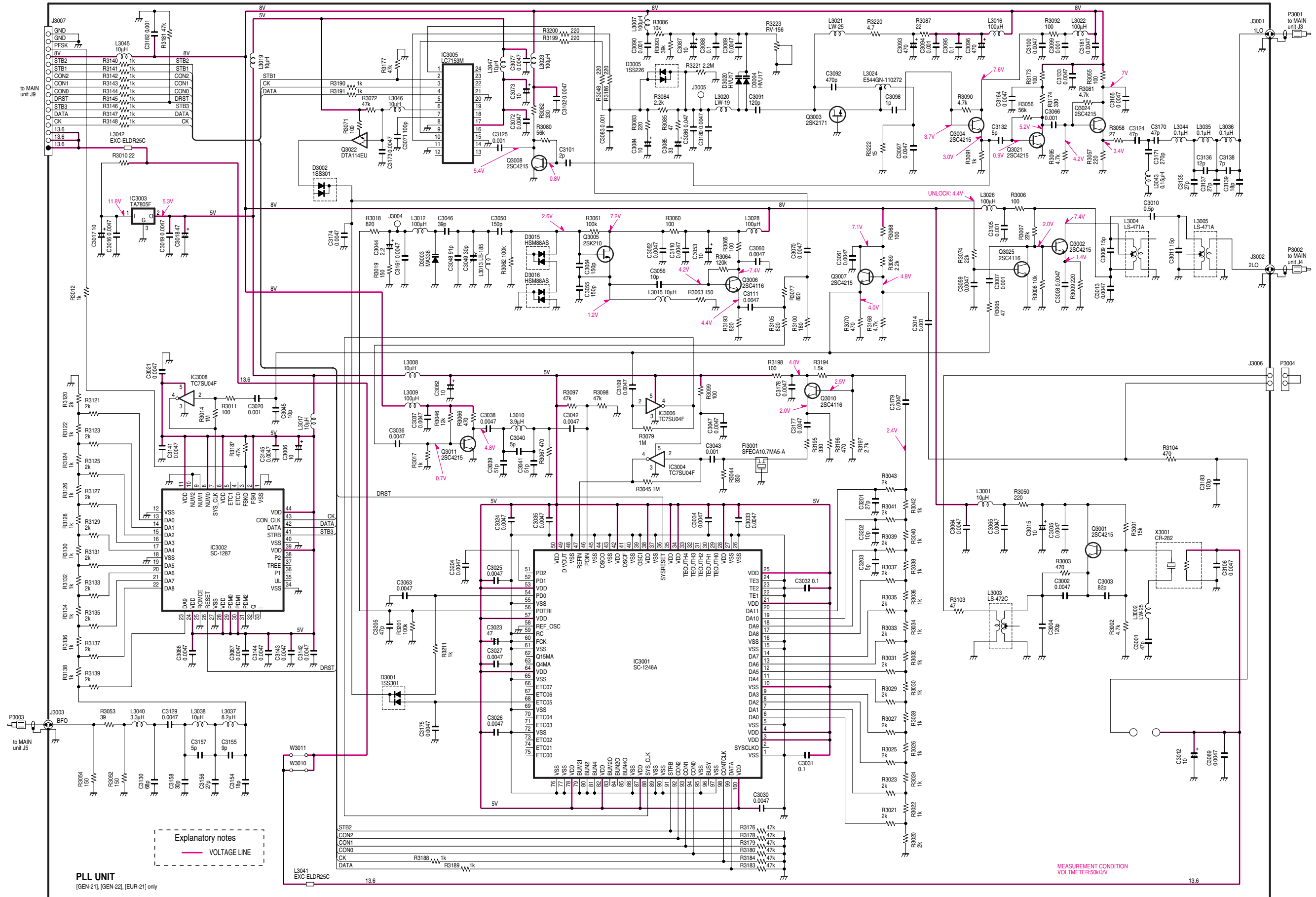
- VOLTAGE LINE
- TX LINE
- RX LINE
- COMMON LINE

MAIN UNIT

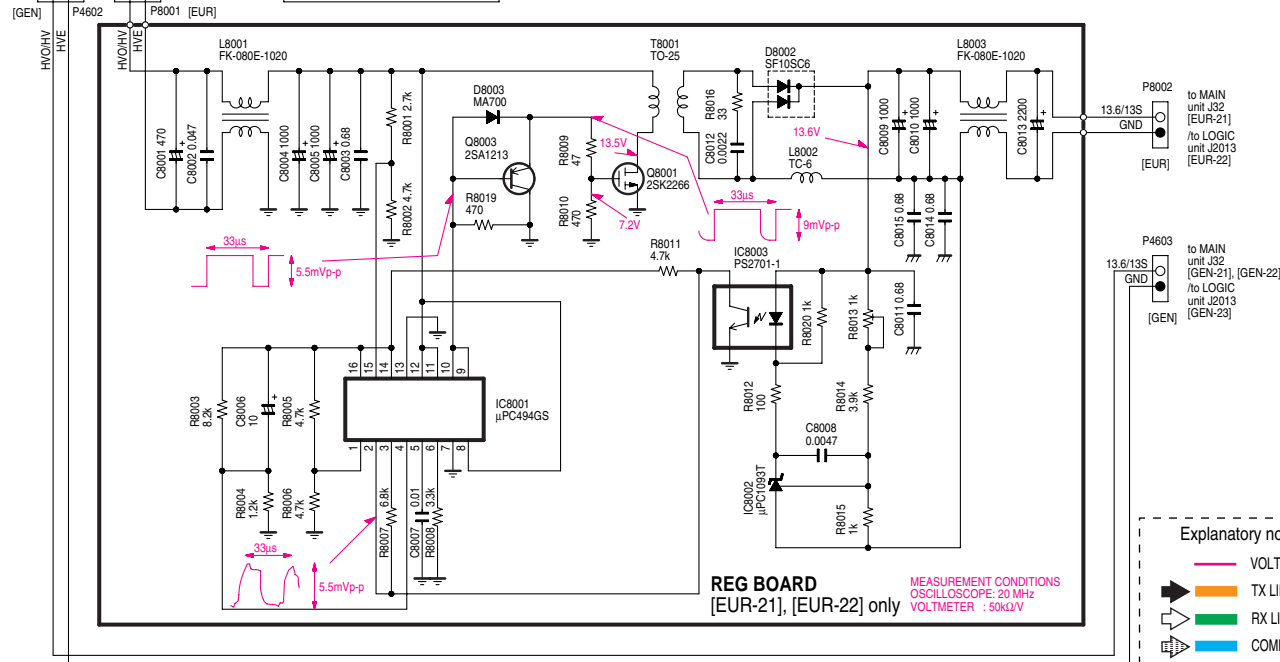
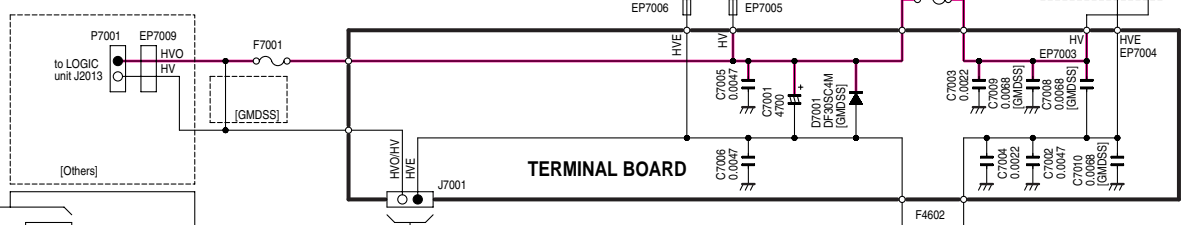
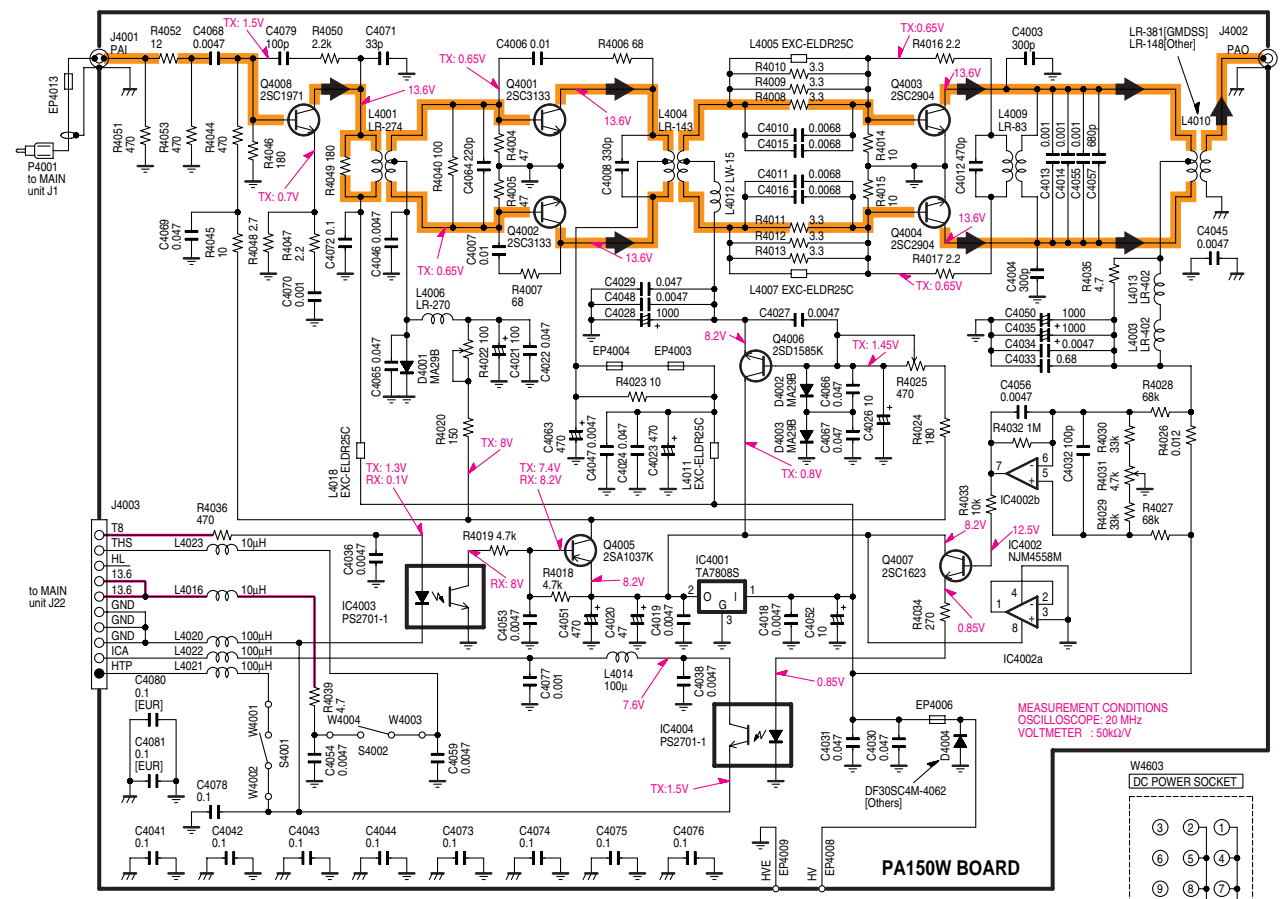
IC11 BU401BF



10-3 PLL UNIT (for [GEN-21], [GEN-22], [EUR-21])

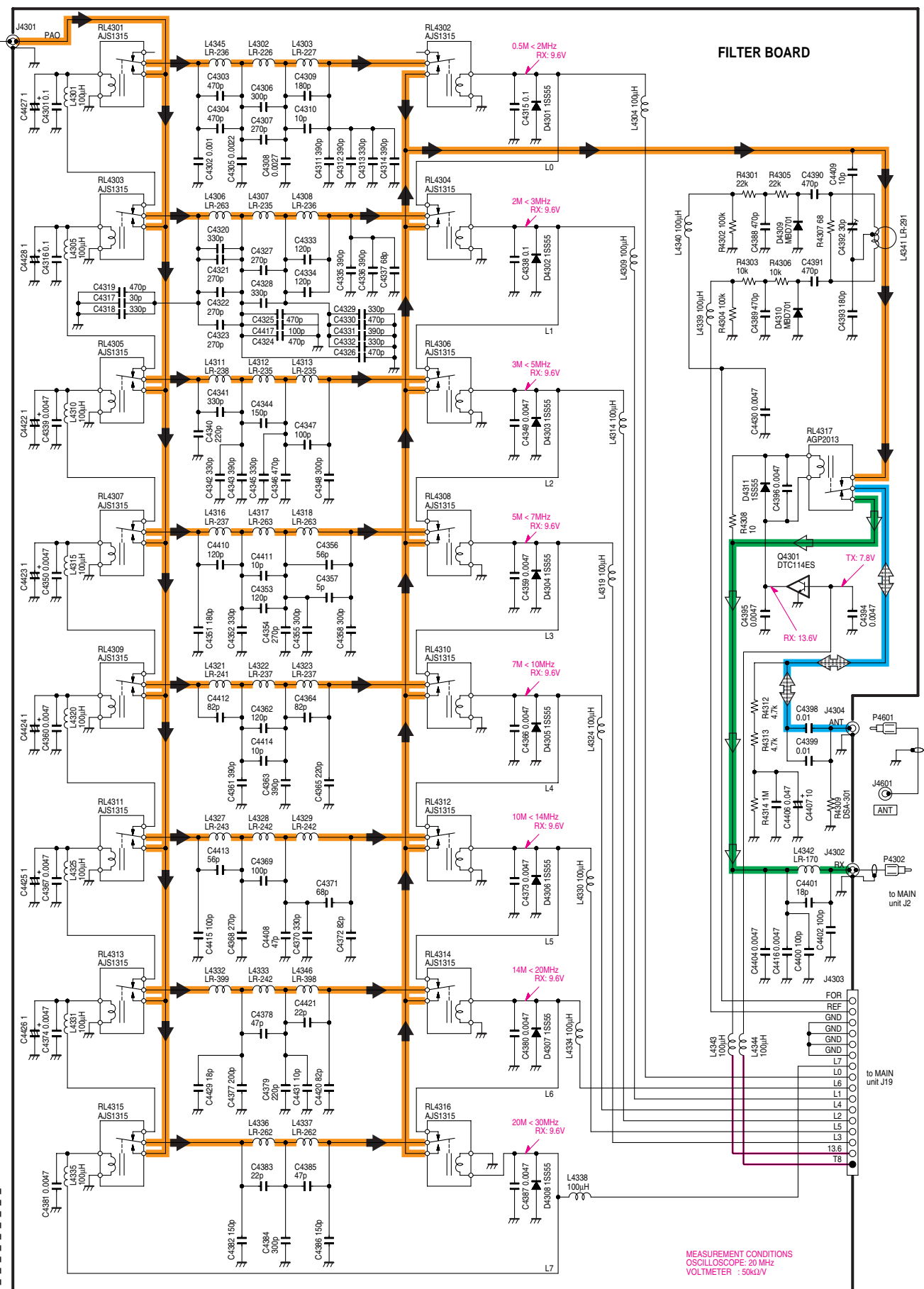


10-5 PA150W, TERMINAL, FILTER AND REG BOARDS



Explanatory notes

- VOLTAGE LINE
- TX LINE
- RX LINE
- COMMON LINE



Icom Inc.

1-1-32, Kamiminami, Hirano-ku, Osaka 547-0003, Japan
Phone : +81 (06) 6793 5302
Fax : +81 (06) 6793 0013
URL : <http://www.icom.co.jp/world/index.html>

Icom America Inc.

<Corporate Headquarters>
2380 116th Avenue N.E., Bellevue, WA 98004, U.S.A.
Phone : +1 (425) 454-8155 Fax : +1 (425) 454-1509
URL : <http://www.icomamerica.com>
E-mail : sales@icomamerica.com
<Customer Service>
Phone : +1 (425) 454-7619

Icom Canada

Glenwood Centre #150-6165
Highway 17 Delta, B.C., V4K 5B8, Canada
Phone : +1 (604) 952-4266 Fax : +1 (604) 952-0090
URL : <http://www.icomcanada.com>
E-mail : info@icomcanada.com

Icom (Australia) Pty. Ltd.

Unit 1 / 103 Garden Road, Clayton VIC 3168 Australia
Phone : +61 (03) 9549-7500 Fax : +61 (03) 9549-7505
URL : <http://www.icom.net.au>
E-mail : sales@icom.net.au

Icom New Zealand

146A Harris Road, East Tamaki,
Auckland, New Zealand
Phone : +64 (09) 274 4062 Fax : +64 (09) 274 4708
URL : <http://www.icom.co.nz>
E-mail : inquiries@icom.co.nz

Beijing Icom Ltd.

10C07, Long silver Mansion, No.88, Yong Ding
Road, Haidian District, Beijing, 100039, China
Phone : +86 (010) 5889 5391/5392/5393
Fax : +86 (010) 5889 5395
E-mail : bjicom@bjicom.com
URL : <http://www.bjicom.com>

Icom (Europe) GmbH

Communication Equipment
Auf der Krautweide 24
65812 Bad Soden am Taunus, Germany
Phone : +49 (6196) 76685-0 Fax : +49 (6196) 76685-50
URL : <http://www.icomeurope.com>
E-mail : info@icomeurope.com

Icom Spain S.L

Ctra. Rubi, No. 88 Bajos A 08174, Sant Cugat del Valles, Barcelona, Spain
Phone : +34 (93) 590 26 70 Fax : +34 (93) 589 04 46
URL : <http://www.icomspain.com>
E-mail : icom@icomspain.com

Icom (UK) Ltd.

Unit 9, Sea St., Herne Bay, Kent, CT6 8LD, U.K.
Phone : +44 (01227) 741741 Fax : +44 (01227) 741742
URL : <http://www.icomuk.co.uk>
E-mail : info@icomuk.co.uk

Icom France s.a.s.

Zac de la Plaine
1 Rue Brindejonc des Moulinais BP 5804
31505 Toulouse Cedex, France
Phone : +33 (5) 61 36 03 03 Fax : +33 (5) 61 36 03 00
URL : <http://www.icom-france.com>
E-mail : icom@icom-france.com

Asia Icom Inc.

6F No.68, Sec. 1 Cheng-Teh Road, Taipei, Taiwan, R.O.C.
Phone : +886 (02) 2559 1899 Fax : +886 (02) 2559 1874
URL : <http://www.asia-icom.com>
E-mail : sales@asia-icom.com

Icom Polska

81-850 Sopot, ul. 3 Maja 54, Poland
Phone : +48 (58) 550 7135 Fax : +48 (58) 551 0484
E-mail : icompolaska@icompolaska.com.pl

Count on us!

Icom Inc.

1-1-32, Kamiminami, Hirano-ku, Osaka 547-0003, Japan

S-14109HZ-C1
© 2004 Icom Inc.